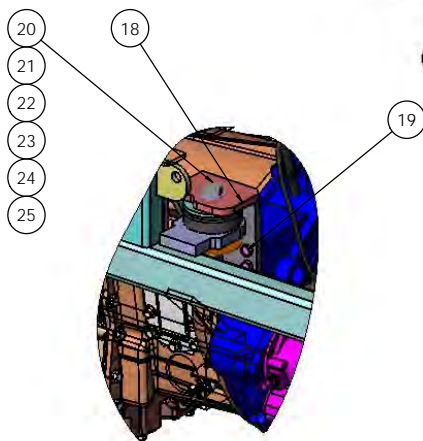
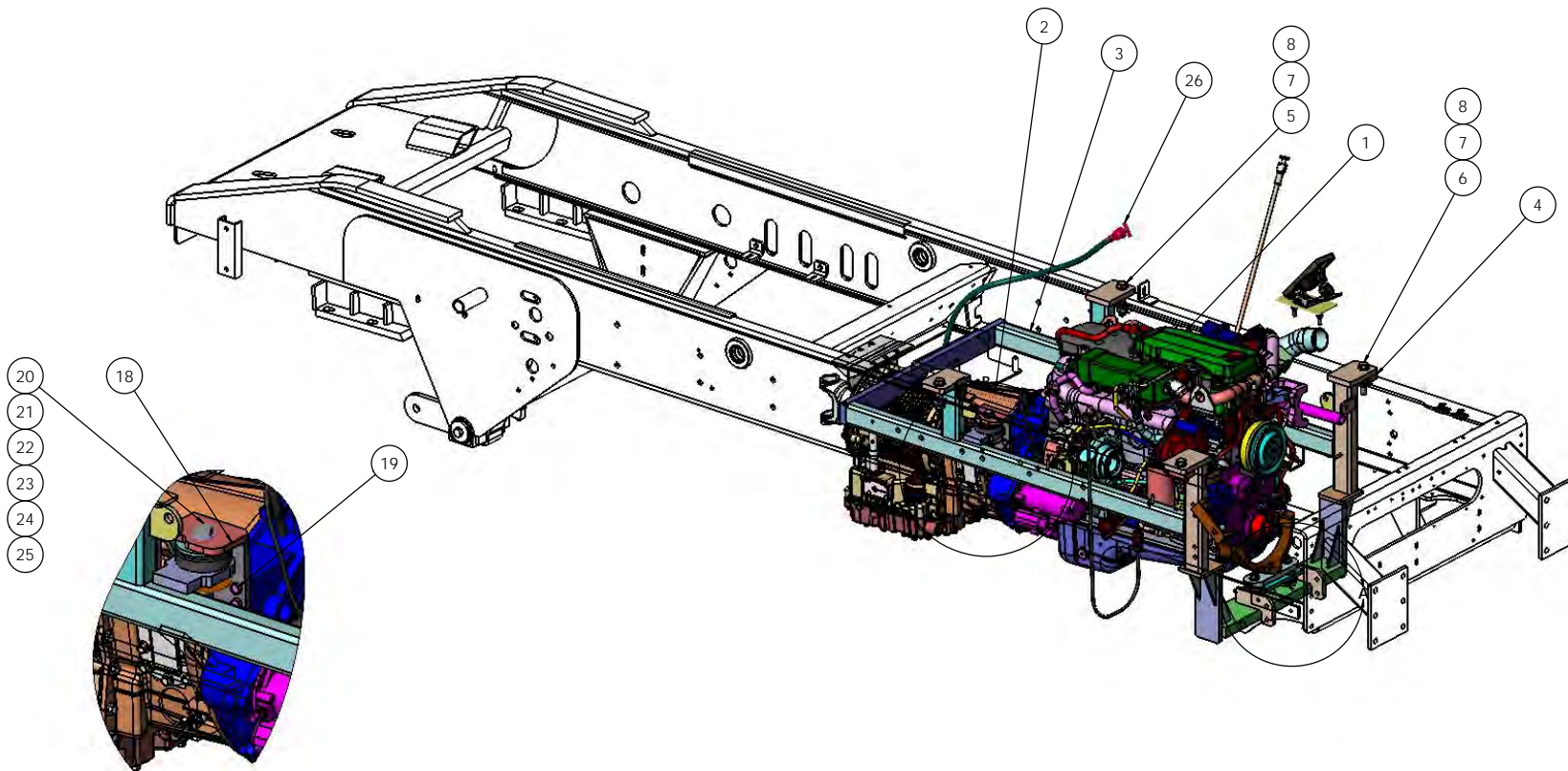
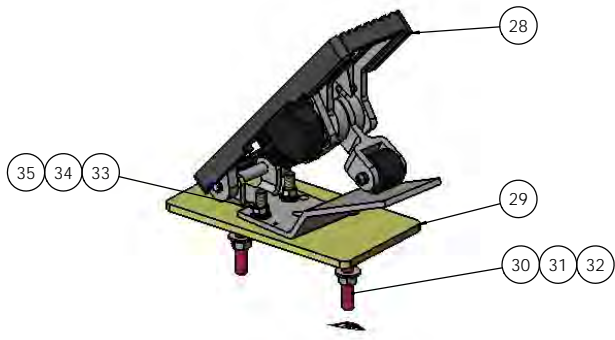


FRONT ENGINE MOUNT

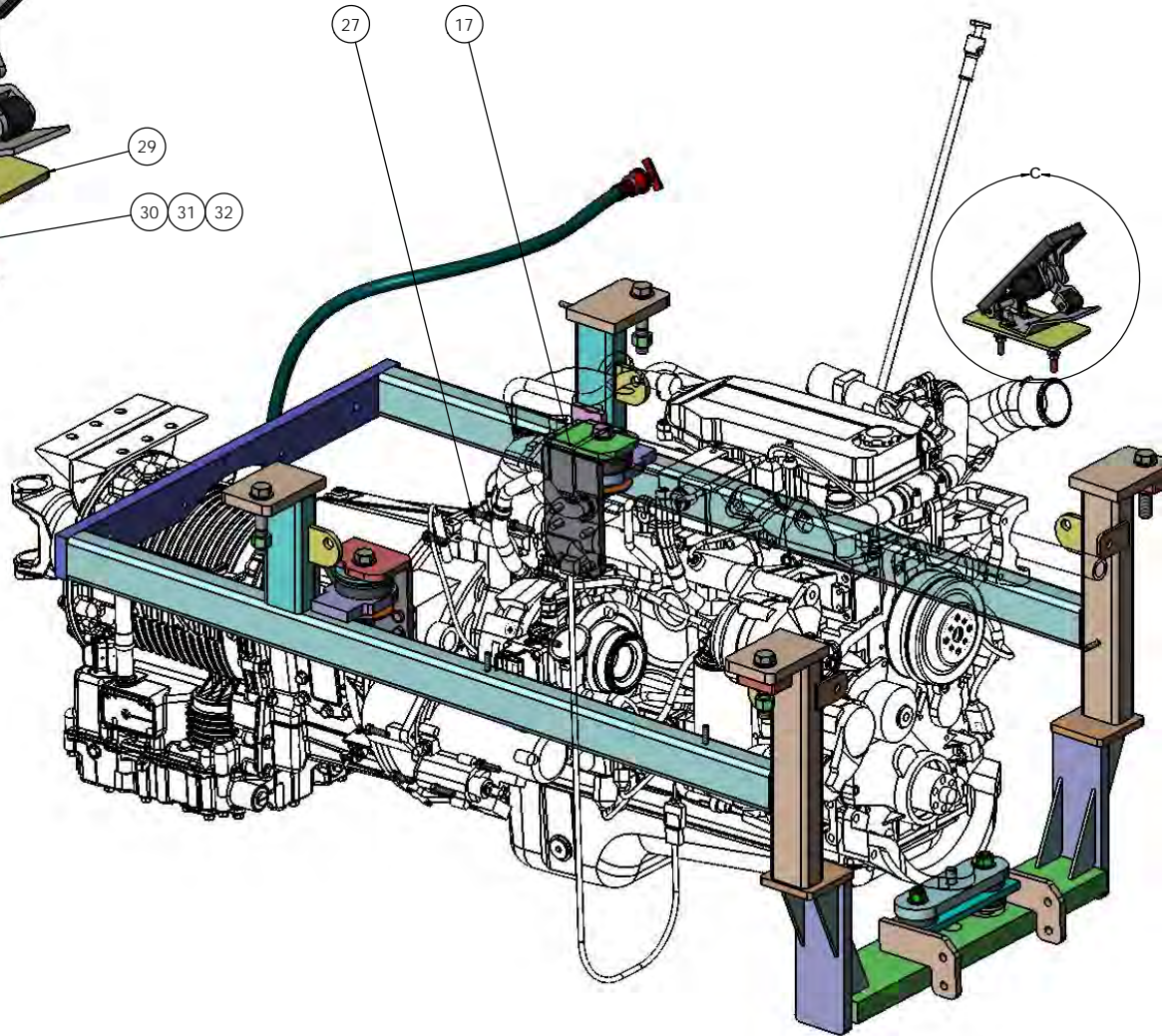


REAR ENGINE MOUNT

DIMENSIONS ARE IN INCHES		NAME	DATE	TICO MANUFACTURING INC. CYPRUS ROAD, GOR. ROCKLAND, NC 27856 (843) 717-2226
DRAWN	MAL	4/13/2018		
CHECKED				TITLE: ENGINE & TRANSMISSION, 2017-III CAB
APPROVED				
UNITS: INCHES		DO NOT SCALE DRAWING		
ANGULAR: 1/16"		THE SUBJECT MATTER SHOWN AND DESCRIBED IN THE DRAWING AND ANY OTHER INFORMATION CONTAINED HEREIN IS THE PROPERTY OF TICO MANUFACTURING, INC. AND IS TO BE USED ONLY FOR THE PURPOSES SPECIFIED. ALL RIGHTS TO ANY PATENTS, TRADEMARKS, TRADE NAMES AND COPYRIGHTS NOTED HEREIN ARE RESERVED TO TICO MANUFACTURING, INC.		
SCALE:	N/A	SIZE	DWG. NO.	REV
REVISION:	SEE NOTE	D	721984-A1	
REVISION:	N/A	SCALE: 1:24 [WEIGHT: 4259.44] SHEET 1 OF 2		



ACCELERATOR PEDAL



REFERENCES ARE IN INCHES	ISSUE	DATE	TCCO/TERMINAL SERVICE 840 CYPRESS RIDGE DR. ROSELAND, NC 28068 (843) 317-2226
TOLERANCES UNLESS SPECIFIED:	ISSUED	6/13/2018	
FRACTIONAL .005	CHECKED		TITLE: ENGINE & TRANSMISSION, 2017-18 CAB
DECIMAL .005	APPROVED		
ANGLE .01°	DESIGNED BY		SIZE [DWG. NO. 721984-A1] REV D
FUNCTIONAL .01°	DESIGNED BY		
MINIMUM CLEARANCE	APPROVED BY		SCALE: 1:24 [WEIGHT: 4259.44] SHEET 2 OF 2
MINIMUM CLEARANCE	APPROVED BY		
SEE NOTE	APPROVED BY		
NOTE	APPROVED BY		
N/A	APPROVED BY		

D 721984-A1

TICO PRO-SPOTTER				
ENGINE & TRANSMISSION, 2017-III CAB, QSB-III, 215 HP @ 2200				721984
ITEM	PART #	QTY/M	DESCRIPTION	
	721984-A1	REF	ENGINE & TRANSMISSION, 2017-III CAB, QSB-III, 215HP @ 2200	
1	62195	1	ENGINE, QSB 6.7-215 HP @ 2100 RPM, 12V, HI-MTG COMP, AC	
2	60799-17	1	TRANS., ALLISON 3000 SERIES, TC-417 (EO21220)	
NOT SHOWN	62185	1	TCM-1st-5th SPEED, 1950 SHIFT CAL	
NOT SHOWN	62192	1	SHIFTER-TRANSMISSION PUSH BUTTON	
3	62210	1	ENGINE CRADLE QSB3	
4	42070	2	SPACER- ENG CRADLE	
5	82519	2	BOLT-3/4-16NC X 4 1/4LG	
6	82508	2	BOLT-3/4-16NC X 4 LG	
7	85095	4	WASHER-3/4	
8	85029	4	NUT-3/4-10NC NYLOCK	
9	60809	1	MOUNTING PLATE-FRT ENGINE	
10	80341	1	BOLT-M16 X 2 X 45mm, 12 PT HD, 10.9	
11	60814	4	ISOLATOR FRT ENG MOUNT	
12	10971	2	SPACER-FRT ENG MOUNT	
13	82474	2	BOLT-5/8-11UNC x 3 1/4 LG	
14	85028	2	NUT-5/8-11UNC CRLK	
15	85094	2	WASHER-5/8	
16	60113	2	WASHER-5/8	
17	60981	1	MOUNT-REAR ENGINE LH	
18	60982	1	MOUNT-REAR ENGINE RH	
19	80240	12	BOLT-M12 x 1.5 x 35mm, HEX HD , 10.9	
			<b>APPLY LOCKTITE &amp; TORQUEBOLTS TO 40 FT-LB</b>	
20	60136	2	ISOLATOR-REAR ENGINE	
21	60740	2	WASHER-3/4 REAR ENGINE MOUNT	
22	85095	2	WASHER-3/4	
23	82530	2	BOLT-3/4-10UNC x 4 1/2 LG HEX HD	
24	85029	2	NUT-3/4-10UNC NYLK	
25	60740-1	2	WASHER, 3/4" REAR ENGINE MT	
NOT SHOWN	40467	1	FITTING, TEE STREET, 1/8 NPT	
NOT SHOWN	410358	84"	HEATER HOSE, 5/8 x 84 Lg	
NOT SHOWN	410358	96	HEATER HOSE, 5/8 x 96 Lg	
NOT SHOWN	40877	1	FITTING, HOSE BARB - 90°, # 16 HOSE X 3/4 NPT	
NOT SHOWN	42178	1	FITTING, HOSE BARB - 90°, # 10 HOSE X 1/2NPT	
NOT SHOWN	42150	2	CLAMP, WORMGEAR HOSE #08 LINER 7/16-1	
<b>REV</b>	<b>DATE</b>	<b>BY</b>		<b>SHEET</b>
A	4/16/2018	MAL		1 OF 3

TICO PRO-SPOTTER				
ENGINE & TRANSMISSION, 2017-III CAB, QSB-III, 215 HP @ 2200				721984
ITEM	PART #	QTY/M	DESCRIPTION	
NOT SHOWN	60799-6	6	BOLT-10MM-1.5 X 30, HEX HD 10.9	
NOT SHOWN	62126	1	CLIP, DIPSTICK RETAINER	
26	61574	1	TRANS-DIPSTICK	
NOT SHOWN	800458	1	M8-2 12X 20MM	
NOT SHOWN	90910	1	BRACKET SUPPORT POS & NEG CABLES	
NOT SHOWN	60061	1	PRESSURE STAT 10 PSI	
NOT SHOWN	40467	1	FITTING, TEE STREET, 1/8 NPT	
27	60799-12	1	TRANS MOUNTING KIT	
NOT SHOWN	62126	1	CLIP, DIPSTICK RETAINER	
NOT SHOWN	12067	1	BRACKET-"L"	
NOT SHOWN	41273	2	CLAMP "P", 1/2"	
NOT SHOWN	620626-2	1	HARNESS-2017 ENGINE, QSB TIER III, FRONT MOUNT PDC	
NOT SHOWN	910601	1	HARNESS-WIRE, AIR INTAKE HEATER TO PDC, TIER III, 2017 CAB	
NOT SHOWN	910637	1	CABLE - 6 GAUGE, RED, 1/4" x 1/4" x 7" LG	
NOT SHOWN	620630	1	HARNESS-WIRE, 2017 GEN V ALLISON TRANSMISSION, CAB MOUNTED (250k)	
NOT SHOWN	620849	1	HARNESS - AUTO NEUTRAL W/ PARKING BRAKE, 2017-II CAB	
NOT SHOWN	90078	1	PRESSURE SWITCH -AUTO NEUTRAL	
NOT SHOWN	122549	1	PLATE, CAB PDC RELAY BLOCK COVER	
NOT SHOWN	85111	4	WASHER, FLAT 1/4	
NOT SHOWN	80360	2	NUT, HEX, NYLOCK 1/4-20, SS	
NOT SHOWN	800411	2	SCREW, BUTTON HD SOCKET CAP 1/4-20 X 1/2 LG, SS	
NOT SHOWN	40877	1	FITTING, HOSE BARB - 90°, # 16 HOSE X 3/4 NPT	
NOT SHOWN	60956	3	BRACKET-TRANS HOSE	
28	60747	1	PEDAL ACCELERATOR - ELECTRONIC QSB	
29	121418	1	ASSEMBLY, MOUNTING PLATE ELECTRIC THROTTLE (2017 CAB)	
30	83318	2	SC HC SCREW 3/8-16 x 3 1/2" Lg	
31	85113	4	WASHER, FLAT 3/8	
32	85036	2	LOCKNUT, 3/8-16	
33	85111	2	WASHER, FLAT 1/4	
34	85133	2	LOCKWASHER, 1/4	
35	85012	2	NUT, HEX 1/4-20	
REV	DATE	BY		SHEET
A	4/16/2018	MAL		2 OF 3

