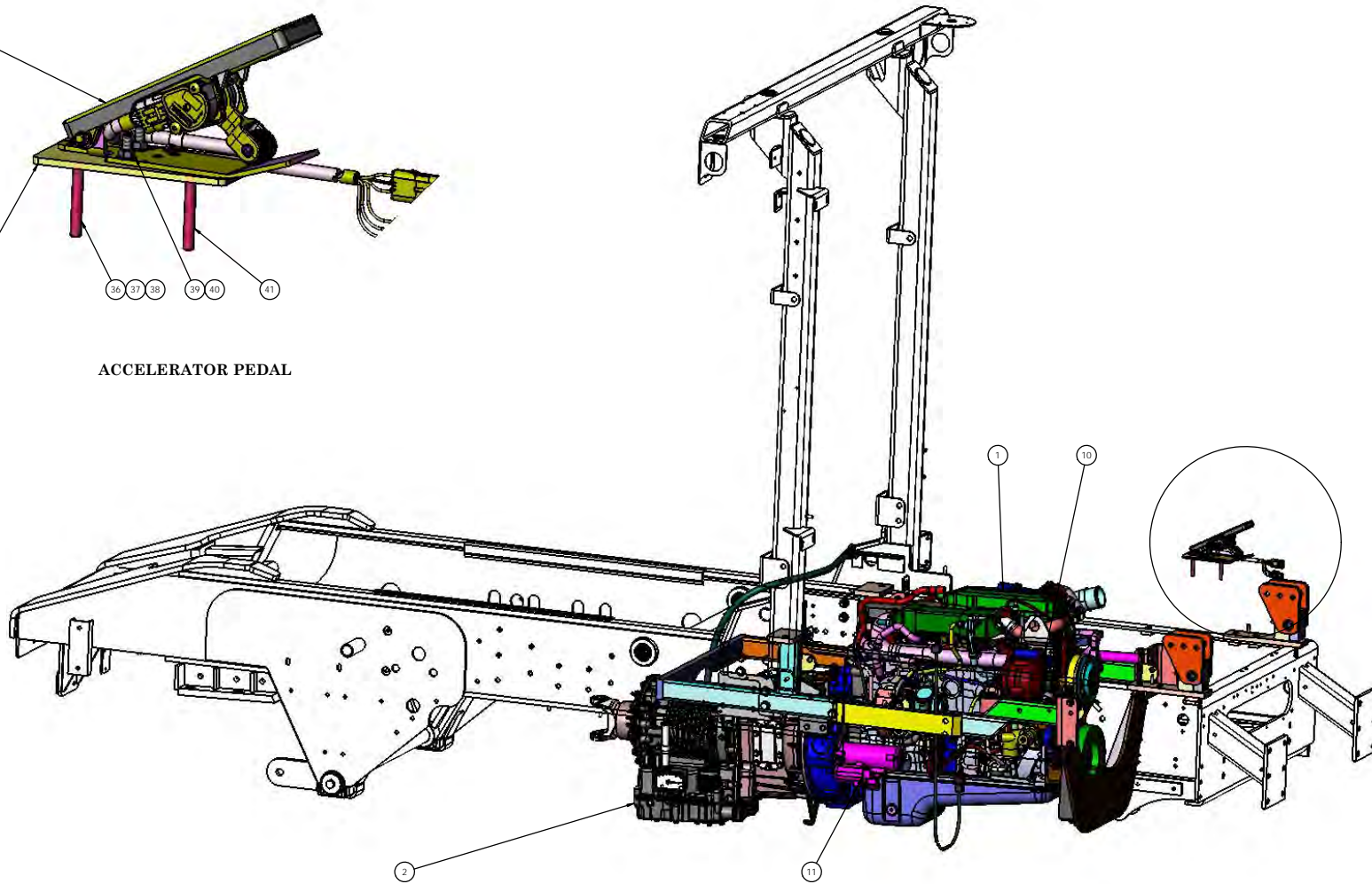


ACCELERATOR PEDAL



ENGINE & TRANSMISSION
 PAGE 1 GENERAL OVERVIEW
 PAGE 2 DETAIL VIEWS
 PAGE 3-5 PARTS LIST

DIMENSIONS ARE IN INCHES		NAME	DATE	TICO MANUFACTURING 88 CYPRUS ROAD DR. RIDGELAND, MS 39158 (843) 717-2226
TOLERANCES:		DRAWN	12/26/2017	
DECIMALS .005		BY		
FRACTIONS 1/32"		CHECKED		
ANGULAR .01°		APPROVED		TITLE: ENGINE & TRANSMISSION
FUNCTIONAL .015°		NOTED SCALE DRAWING		SIZE DWG. NO. 721970-A1
UNLESS OTHERWISE SPECIFIED IN THIS DRAWING, ALL DIMENSIONS SHALL BE TO THE CENTERLINE UNLESS OTHERWISE SPECIFIED.		THE SUBJECT MATTER SHOWN AND DESCRIBED IN THE DRAWING AND ANY OTHER INFORMATION CONTAINED HEREIN IS THE PROPERTY OF TICO MANUFACTURING AND IS TO BE USED ONLY FOR THE PURPOSES SPECIFIED HEREIN. ALL RIGHTS TO ANY PATENTS, TRADEMARKS, AND COPYRIGHTS ARE RESERVED TO TICO MANUFACTURING, INC.		REV
ISSUED:	N/A			D
REVISION:	N/A			SCALE: 1:32 [WEIGHT: 5521.03] SHEET 1 OF 2
SEE NOTE	N/A			
REWORK:	N/A			

TICO PRO-SPOTTER				
ENGINE & TRANSMISSION, QSB-6.7 158HP				721970
ITEM	PART #	QTY/M	DESCRIPTION	
	721970-A1	REF	ENGINE & TRANSMISSION, QSB-6.7 158HP	
1	620860	1	ENGINE-QSB6.7-IV-158HP @ 2100RPM, BLK HTR, WO ALT & START	
2	60799-17	1	TRANSMISSION-RDS 3000 (ALLISON E020600)TC-417	
NOT SHOWN	62185	1	TCM-1st-5th, 1950/2800 RPM, GEN V	
NOT SHOWN	62192	1	SHIFTER-TRANSMISSION PUSH BUTTON GEN V	
3	61572-5	1	MOUNT-FRONT ENGINE-FRAME	
4	61572-9	1	BRACKET, FRONT ENGINE MOUNT	
5	62115	1	ENGINE CRADLE, ISB	
6	82418	8	BOLT, HEX 1/2-13 X 2 LG - FRONT MOUNTS	
7	85038	8	NUTLOCK, 1/2-13	
8	85093	16	WASHER, FLAT 1/2-13	
9	60809	1	MOUNTING PLATE FRONT ENGINE MOUNT	
10	91243	1	STARTER- ENGINE, DELCO MT35-2013 ISB	
REF	60799-6	REF	BOLT-10MM-1.5 X 30, HEX HD 10.9 (COMES W/ ENGINE)	
REF	85135	REF	WASHER-LOCK, HELICAL SPRING,3/8 (COMES W/ ENGINE)	
11	620654	1	ALTERNATOR, 160 AMP DELCO	
12	80342	1	BOLT-DRILLED HEAD-M16 x 2 x 45mm, 10.9 SHCS	
13	85094	1	WASHER, FLAT 5/8-11	
14	85138	1	LOCKWASHER, 5/8-11	
15	60814	4	ISOLATOR, FRONT ENGINE MOUNT DUAL SYSTEM	
16	60113	2	WASHER, BOOM	
17	10971	2	SPACER FRONT MOTOR MOUNT	
18	82474	2	BOLT, HEX 5/8-11 x 3 1/4" LG	
19	85094	2	WASHER, FLAT 5/8-11	
20	85039	2	LOCKNUT, 5/8-11	
NOT SHOWN	60799-6	6	BOLT-FLEX PLATE/TORQUE CONV	
21	60799-12	1	TRANS MOUNTING KIT	
22	60981	1	MOUNT-REAR ENGINE LH	
23	60982	1	MOUNT-REAR ENGINE RH	
24	80240	12	BOLT-M12 x 1.5 x 35mm, HEX HD , 10.9	
			APPLY LOCKTITE & TORQUE BOLTS TO 40 FT-LB	
REV	DATE	BY		SHEET
A	1/26/2018	MAL		1 OF 3
TICO MANUFACTURING - RIDGELAND, SC 29936				

TICO PRO-SPOTTER			
ENGINE & TRANSMISSION, QSB-6.7 158HP			721970
ITEM	PART #	QTY/M	DESCRIPTION
25	61678	2	ISOLATOR-REAR ENGINE
26	61677-8	2	SPACER-BOLT
27	60740	2	WASHER-3/4, REAR ENGINE MOUNT
28	85095	2	WASHER, FLAT 3/4
29	60740-1	2	WASHER-3/4, REAR ENGINE MOUNT
30	82574	2	BOLT-3/4-10UNC x 5 1/2 LG HEX HD
31	85029	1	NUT-3/4-10UNC NYLK
32	90910	1	BRACKET-BATTERY CABLE SUPPORT
33	61574	1	DIPSTICK-TRANSMISSION RDS
NOT SHOWN	12091	1	SPACER
NOT SHOWN	82382	3	BOLT, HEX 5/16-18 x 2 1/4 Lg
NOT SHOWN	85112	8	WASHER, FLAT 5/16
NOT SHOWN	85134	2	LOCKWASHER 5/16
NOT SHOWN	42197	2	CLAMP "P", 3/4"
NOT SHOWN	80349	1	STUD, 5/16-18 X 1"LG WELD
NOT SHOWN	85035	1	LOCKNUT 5/16
NOT SHOWN	12067	1	BRACKET-"L"
NOT SHOWN	41273	2	CLAMP "P". 1/2"
NOT SHOWN	62126	1	CLIP-DIPSTICK RETAINER
NOT SHOWN	800458	1	BOLT HEX M8-2 12X 20MM
NOT SHOWN	60061	1	PRESSURE STAT 10 Lbs
NOT SHOWN	40467	1	FITTING, TEE STREET, 1/8 NPT
NOT SHOWN	91068	1	SENSOR-OIL PRESS GAUGE
NOT SHOWN	91069	1	SENSOR-WATER TEMP GAUGE
NOT SHOWN	12091	1	SPACER-DIPSTICK
NOT SHOWN	620625-1	1	HARNESS-2017-II, QSB-IV
NOT SHOWN	620630	1	HARNESS-2017-II, TRANS ALLISON GEN V-W/ABS, AUTO NEUTRAL
NOT SHOWN	91222	1	CABLE 2 GA BLACK ALT TO STARTER 33"
NOT SHOWN	91221	1	CABLE 2 GA RED ALT TO STARTER 38"
NOT SHOWN	910601	1	HARNESS-WIRE, AIR INTAKE HEATER TO PDC, TIER IV, 2017 CAB
NOT SHOWN	91232	1	WIRE ASS'Y-ECM GRD/BATT
NOT SHOWN	61704	1	BRACKET-STANDOFF
34	61640	1	PEDAL ACCELERATOR - ELECTRONIC ISB
35	121418	1	PLATE ASSEMBLY, 2017 CAB ELECTRIC THROTTLE MOUNTING
REV	DATE	BY	SHEET
A	1/26/2018	MAL	2 OF 3

