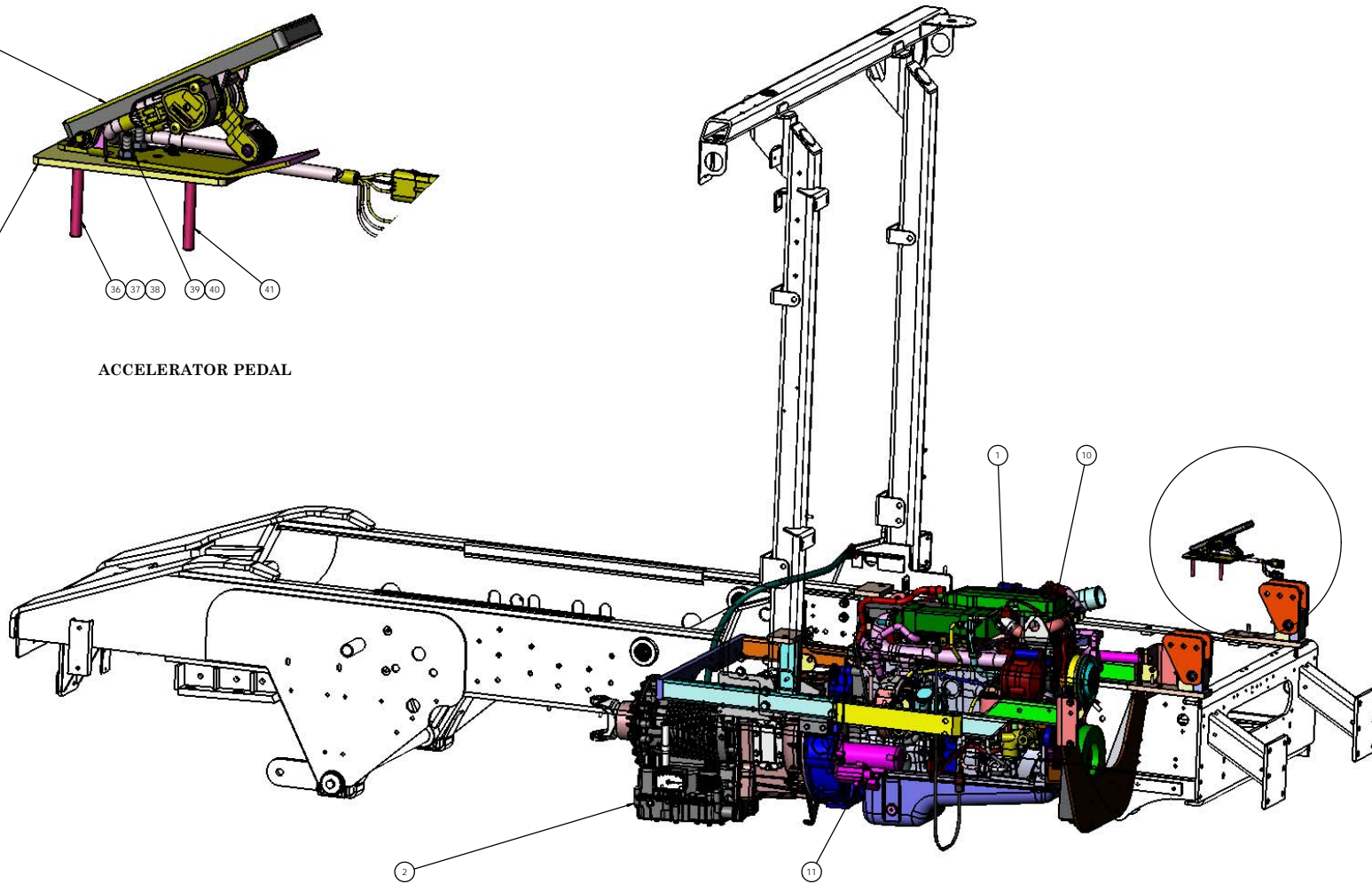


ACCELERATOR PEDAL



ENGINE & TRANSMISSION
 PAGE 1 GENERAL OVERVIEW
 PAGE 2 DETAIL VIEWS
 PAGE 3-5 PARTS LIST

DIMENSIONS ARE IN INCHES		NAME	DATE	WCO MANUFACTURING 88 CYPRESS RIDGE DR. RIDGELAND, NC 27156 (843) 717-2226
TOLERANCES:		DESIGN	MAL 12/26/2017	
DECIMAL:		0.000		TITLE: ENGINE & TRANSMISSION SIZE: DWG. NO. 721964-B1 REV SCALE: 1:32 [WEIGHT: 5521.03] SHEET 1 OF 2
FRACTIONAL:		1/16"		
ANGULAR:		0.1°		
FUNCTIONAL:		± 0.12°		
UNFINISHED:				
FINISHED:				
SEE NOTE				
REVISION:				
REVISION:				
REVISION:				
REVISION:				

TICO PRO-SPOTTER				
ENGINE & TRANSMISSION 2017 EPA B6.7 200HP/RDS3000 GEN V				721964
ITEM	PART #	QTY/M	DESCRIPTION	
22	60981	1	MOUNT-REAR ENGINE LH	
23	60982	1	MOUNT-REAR ENGINE RH	
24	80240	12	BOLT-M12 x 1.5 x 35mm, HEX HD , 10.9	
			<i>(APPLY LOCKTITE & TORQUE BOLTS TO 40 FT-LB)</i>	
25	61678	2	ISOLATOR-REAR ENGINE	
26	61677-8	2	SPACER-BOLT	
27	60740	2	WASHER-3/4, REAR ENGINE MOUNT	
28	85095	2	WASHER, FLAT 3/4	
29	60740-1	2	WASHER-3/4, REAR ENGINE MOUNT	
30	82574	2	BOLT-3/4-10UNC x 5 1/2 LG HEX HD	
31	85029	1	NUT-3/4-10UNC NYLK	
32	90910	1	BRACKET-BATTERY CABLE SUPPORT	
33	61574	1	DIPSTICK-TRANSMISSION RDS	
NOT SHOWN	12091	1	SPACER	
NOT SHOWN	82382	3	BOLT, HEX 5/16-18 x 2 1/4 Lg	
NOT SHOWN	85112	8	WASHER, FLAT 5/16	
NOT SHOWN	85134	2	LOCKWASHER 5/16	
NOT SHOWN	40593	4	P-CLAMP	
NOT SHOWN	80349	1	STUD, 5/16-18 X 1"LG WELD	
NOT SHOWN	85035	1	LOCKNUT 5/16	
NOT SHOWN	62126	1	CLIP, DIPSTICK RETAINER	
NOT SHOWN	800458	1	M8-2.12 x 20MM HEX WASHER HEAD TAPPING SCREW	
NOT SHOWN	62037	1	SENSOR-AMBIENT AIR 2013-ISB	
NOT SHOWN	62044	1	BRACKET-SENSOR MOUNT	
NOT SHOWN	60061	1	PRESSURE STAT 10 Lbs	
NOT SHOWN	40467	1	FITTING, TEE STREET, 1/8 NPT	
NOT SHOWN	12091	1	SPACER-DIPSTICK	
NOT SHOWN	620913-2	1	HARNESS-2017 ENGINE, ISB, FRONT MOUNT PDC, 250k	
NOT SHOWN	620630	1	HARNESS-WIRE, 2017 GEN V ALLISON TRANSMISSION, CAB MOUNTED (250k)	
NOT SHOWN	91133	1	WIRE HARNESS-2 GA BK	
NOT SHOWN	91221	1	WIRE HARNESS-2 GA RD	
NOT SHOWN	910621	1	CABLE - 2 GAUGE, RED, 1/4" x 3/8" LUGS x 42" LG	
NOT SHOWN	91232	1	WIRE ASS'Y-ECM GRD/BATT	
NOT SHOWN	61704	1	BRACKET-STANDOFF	
34	61640	1	PEDAL ACCELERATOR - ELECTRONIC ISB	
35	121418	1	ASSEMBLY, MOUNTING PLATE ELECTRIC THROTTLE (2017 CAB)	
REV	DATE	BY		SHEET
B	4/4/2018	MAL		2 OF 3

