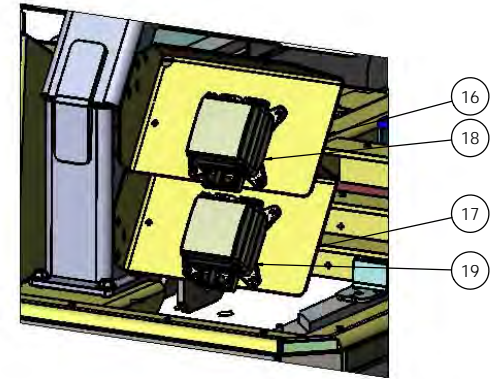
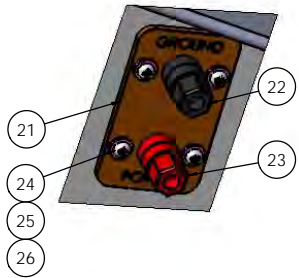


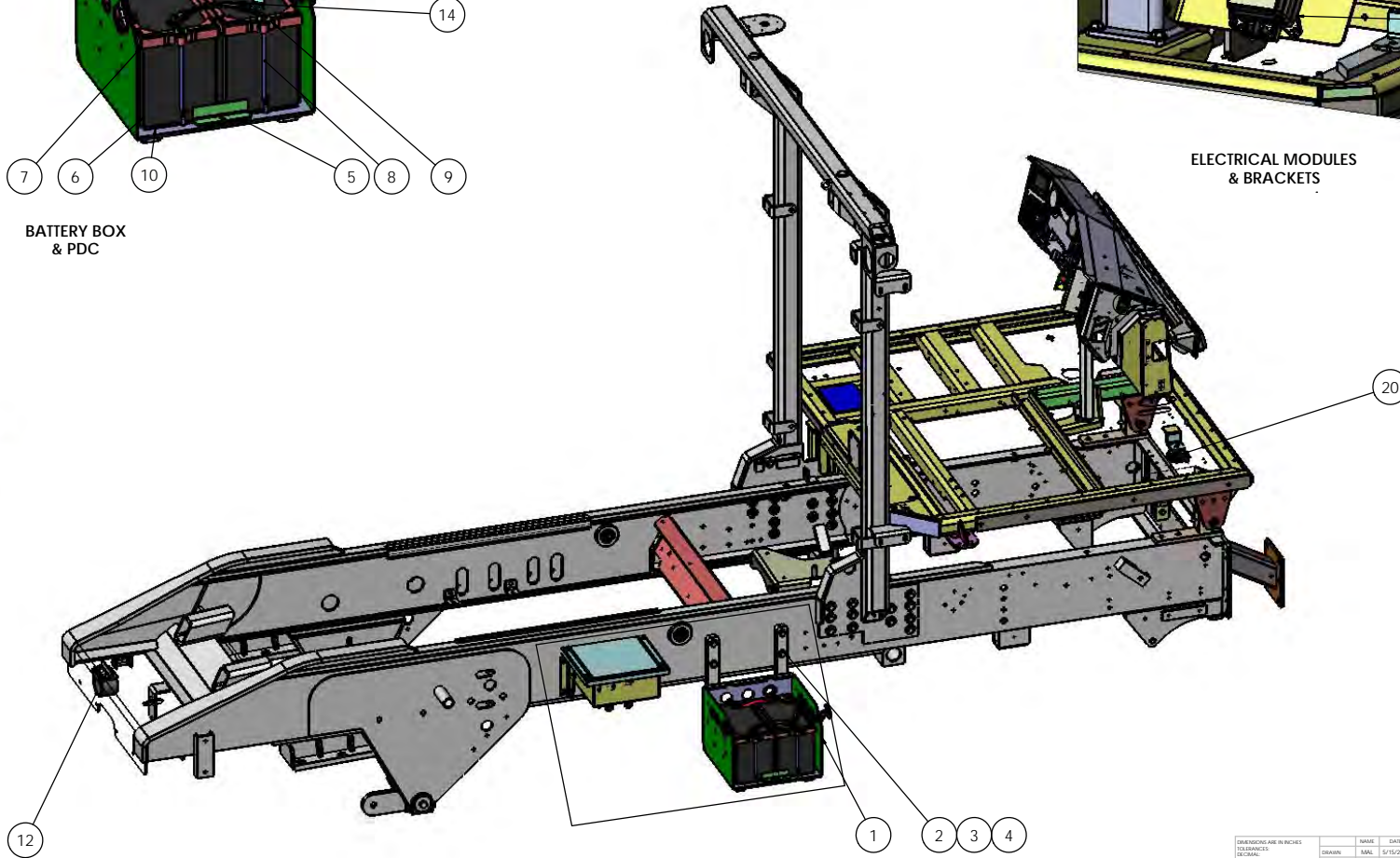
BATTERY BOX
& PDC



ELECTRICAL MODULES
& BRACKETS



ELECTRICAL SUPPLY BOARD



OVERVIEW

DIMENSIONS ARE IN INCHES		NAME	DATE	TICO MANUFACTURING INC. CYPRUS ROAD, ST. JOSEPH, ROCKLAND, NC 27856 (843) 717-2226		
TOLERANCES:		DRAWN	MAL		5/15/2018	
DECIMAL		CHECKED				
FRACTIONAL		APPROVED				
ANGULAR		DRAWN TO SCALE		TITLE: BATTERY & WIRING, CSB- W/CSB-III		
HOLE POSITION		THE SUBCUT-MATERIALS DRAWING AND DIMENSIONS IN THIS DRAWING ARE DESCRIBED IN THE DRAWING AND ANY OTHER INFORMATION IS CONTAINED IN THE DRAWING. THE DRAWING IS THE AUTHORITY FOR MANUFACTURE. ALL DIMENSIONS ARE TO UNLESS OTHERWISE SPECIFIED. DIMENSIONS TO FACE UNLESS OTHERWISE SPECIFIED. DIMENSIONS TO CENTER UNLESS OTHERWISE SPECIFIED. DIMENSIONS TO HOLE UNLESS OTHERWISE SPECIFIED. DIMENSIONS TO HOLE UNLESS OTHERWISE SPECIFIED.		SIZE	DWG. NO.	REV
SEE NOTE		D		721949-C1		
REVISION		SCALE: 1:32 [WEIGHT: 4373.31] SHEET 1 OF 1				
REVISION						

TICO PRO-SPOTTER			
BATTERY & WIRING, QSB-IV/QSB-III			721949
ITEM	PART #	QTY/M	DESCRIPTION
	721949-C1	REF	BATTERY & WIRING, QSB-IV/QSB-III
1	200378	1	ASSEMBLY, BATTERY BOX
2	82485	4	BOLT, 5/8 -11 x 3.5 Lg - BATTERY BOX to FRM
3	85094	8	WASHER, FLAT 5/8
4	85028	4	LOCKNUT NYLOK, 5/8-11
5	12070	1	BRACKET, BATTERY STOP
6	91814	2	BATTERY-31 SERIES, 730 CCA, 12V
7	20075	2	BATTERY HOLD DOWN
8	20012	4	ASSEMBLY, J-BOLT
9	85111	8	WASHER, FLAT 1/4
10	82381	4	BOLT, HEX 1/4-20 X 1-1/4
11	85133	4	LOCKWASHER, 1/4
12	20012-4	2	WASHER-PLASTIC BATTERY HOLD DOWN
13	40210-2	2	RUBBER MAT
14	90114	4	GROMMET
NOT SHOWN	910535	1	BUSSBAR-GROUNDING, 4 X 1/4" STUDS
NOT SHOWN	910585	1	CABLE, 6 GAUGE, BLK, 1/4" x 3/8" x 42" LG
NOT SHOWN	85133	4	LOCKWASHER, 1/4
15	91250	1	BACKUP ALARM ASSEMBLY, STANDARD, VELVAC
16	80129	2	WASHER, FENDER 1/4-20 x 1 1/4 OD
17	85111	2	WASHER, FLAT 1/4
18	85133	2	LOCKWASHER, 1/4
19	85023	2	NUT, HEX NYLOK 1/4-20
20	910325	1	CABLE - 3/0 RED BATTERY to STARTER 48" Lg
21	90837	1	CABLE - 3/0 BLK BATTERY to STARTER 65.5" LG
22	90843	1	CABLE - 3/0 RED BATTERY JUMPER 8.75"LG
23	90844	1	CABLE - 3/0 BLK BATTERY JUMPER 8.75" LG
24	90957	2	BATTERY BUSS BAR
25	910508	1	CABLE - 2/0 RED BATTERY to PDC 24" LG
26	910509	1	CABLE - 6 GAUGE, BLK BATTERY to PDC 30" LG
27	910536	1	CABLE - 2/0, BLACK, 5/16" x 3/8" x 172" LG
REV	DATE	BY	SHEET
C	5/15/2018	MAL	1 OF 3

