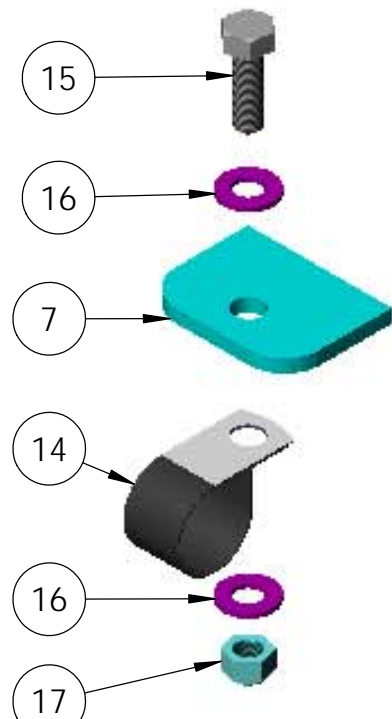
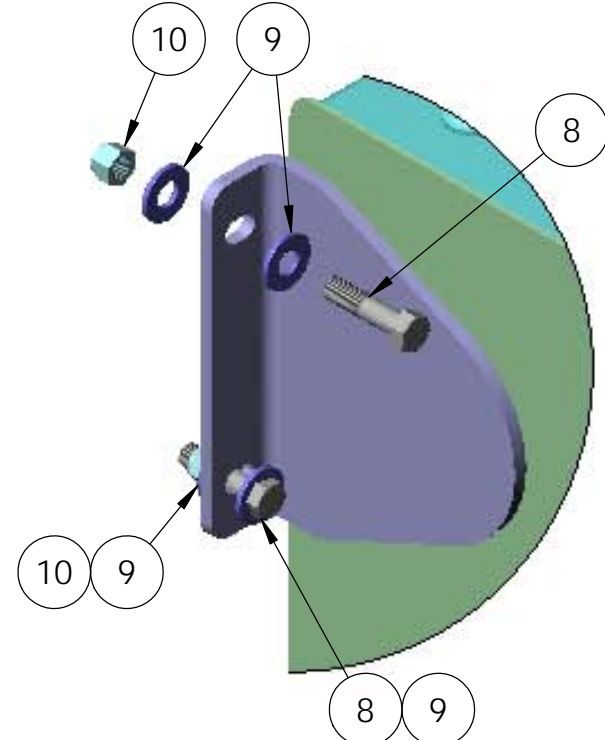


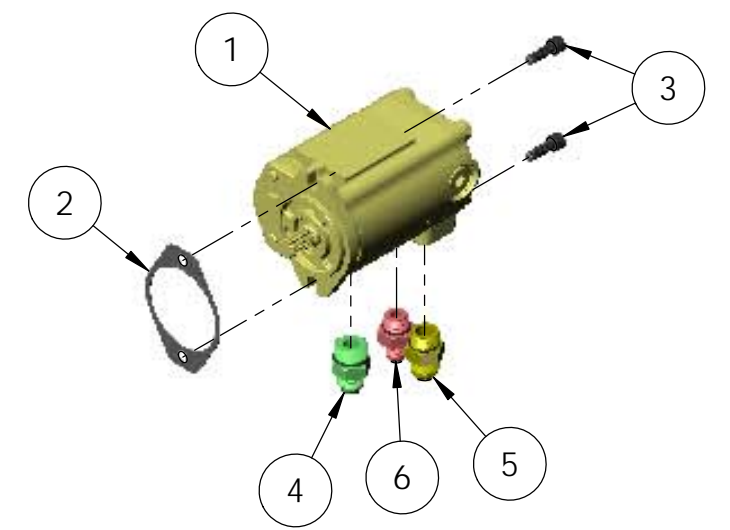
DETAIL A
SCALE 1 : 1



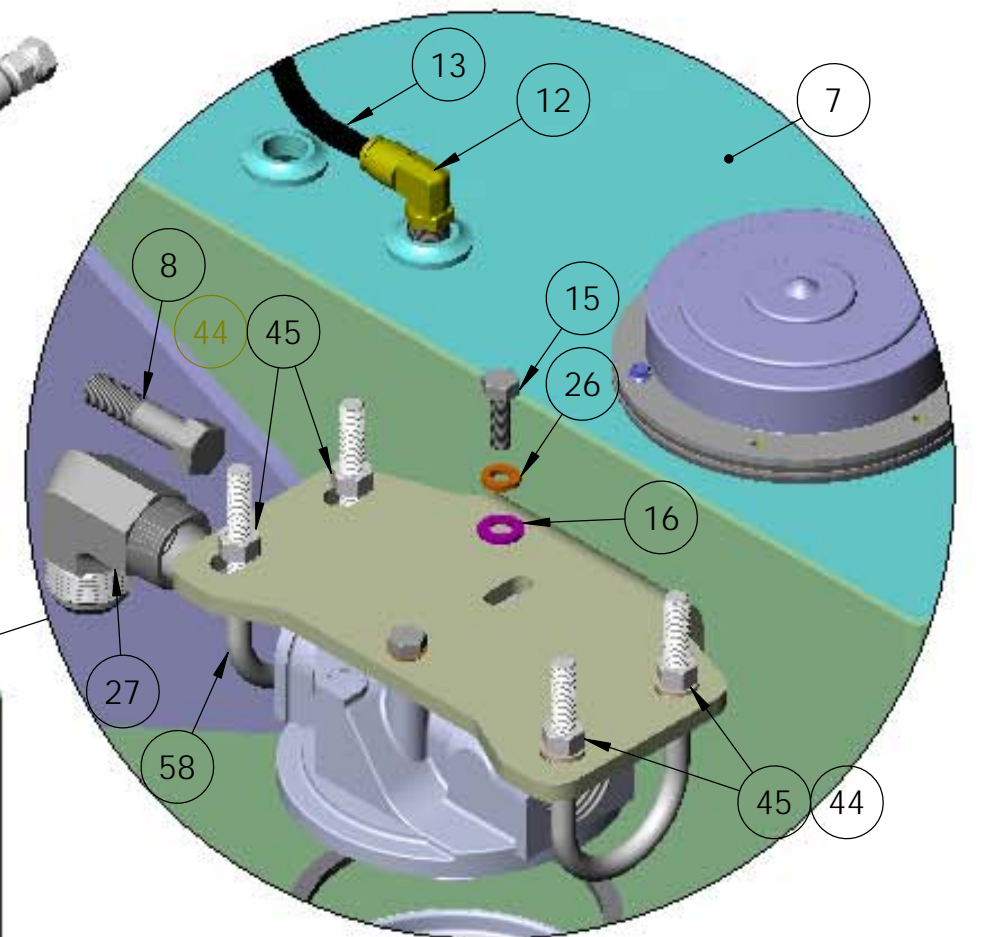
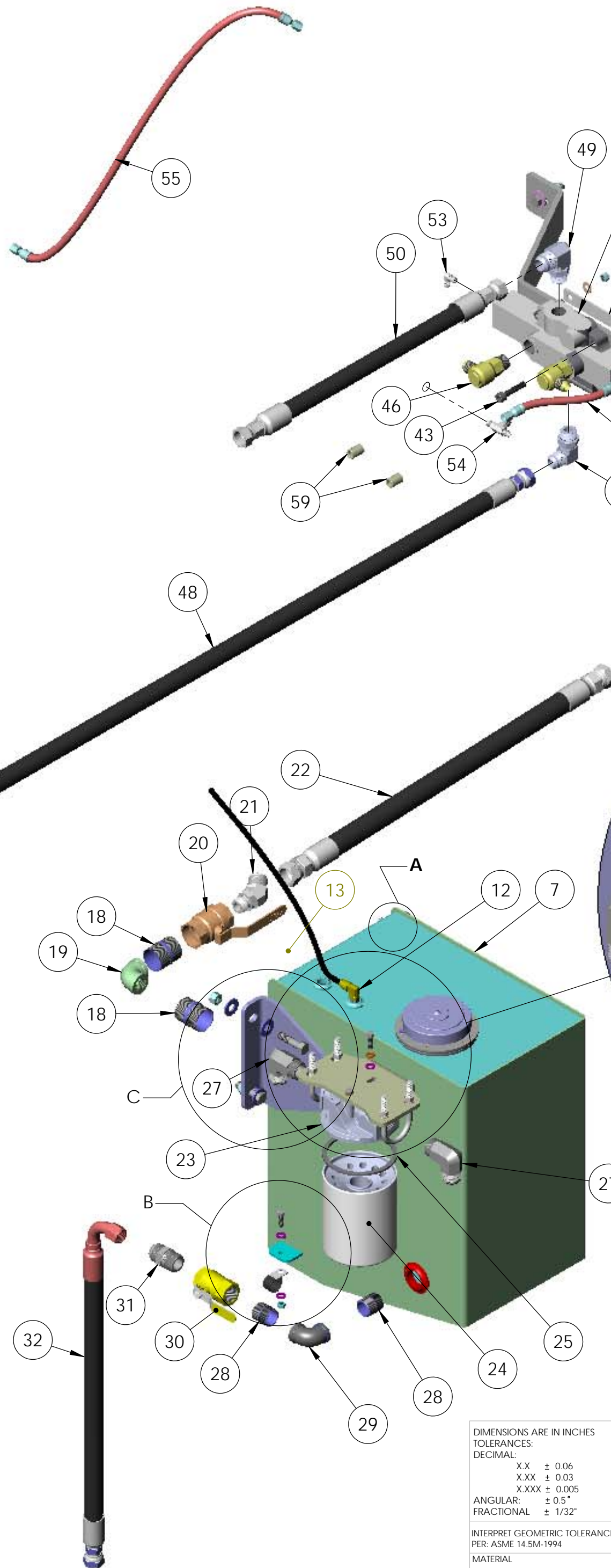
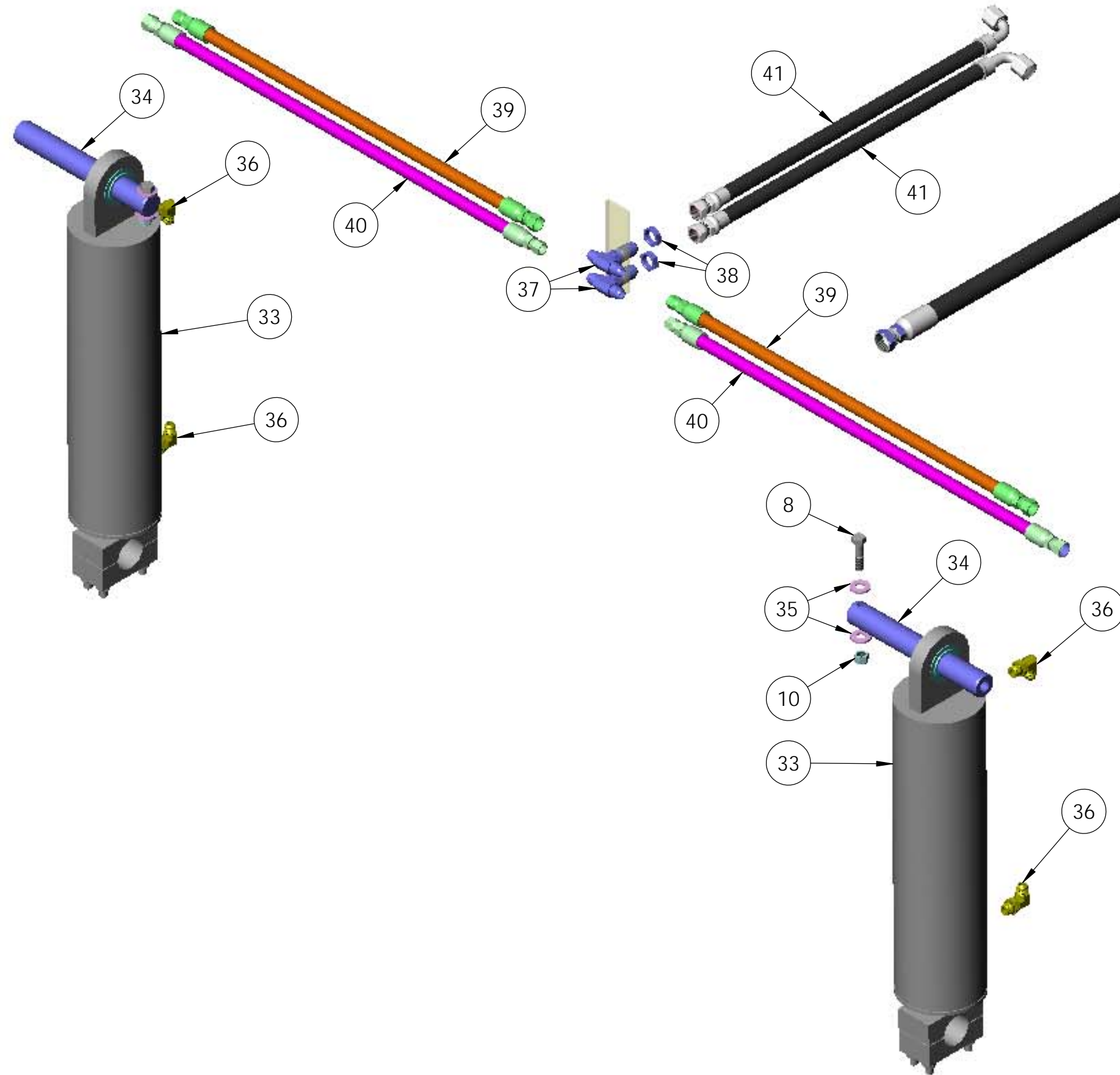
DETAIL B
SCALE 1 : 2



DETAIL C
SCALE 1 : 4



DETAIL D
SCALE 1 : 3



DIMENSIONS ARE IN INCHES		NAME	DATE	TICO/TERMINAL SERVICE 66 CYPRESS RIDGE DR. RIDGELAND, SC 29936 (843) 717-2226
TOLERANCES:		DRAWN	JK 9/26/2013	
DECIMAL:		CHECKED		
.XX ± 0.06 .XXX ± 0.03 .XXXX ± 0.005		APPROVED		
ANGULAR:		DO NOT SCALE DRAWING		TITLE:
FRACTIONAL:				HYDRAULIC SYSTEM
INTERPRET GEOMETRIC TOLERANCING PER: ASME 14.5M-1994				SIZE DWG. NO.
MATERIAL				C 72194-B1
FINISH				REV
THICKNESS				SCALE: 1:6 SHEET 1 OF 1

TICO PRO-SPOTTER

S/N:	HYDRAULIC SYSTEM - ELECTRONIC CONTROL - 42098 TANK - 9.5" STROKE CYL	72194
-------------	--	--------------

ITEM	PART #	QTY/M	DESCRIPTION	TASK
	72194-B1	REF	HYD SYSTEM - ELECTRONIC CONTROL	
1	61962	1	PUMP - 20 GPM, STEER PRIORITY	
2	60212	1	GASKET - PUMP	
3	80175	2	BOLT - SOCKET HD, M10 X 1.5 X 30MM LG @ PUMP	
4	42019	1	STR ADAPTER - 1" ORB TO 1-1/4 JIC, TANK TO PUMP	
5	40471	1	STR ADAPTER - 3/4" O-RING TO 3/4" JIC, PUMP TO VALVE	
6	42006	1	STR ADAPTER - 1/2" O-RING TO 1/2" JIC, PUMP TO STEERING GEAR	
7	42098	1	TANK, HYDRAULIC	
8	82418	6	BOLT, HEX, 1/2-13 X 2" LG	
9	85104	8	WASHER, 1/2" FLAT	
10	85027	4	NUT, 1/2-13 NYLOCK	
11	30174	1	SPACER - HYDRAULIC TANK	
12	40823	1	ELBOW, 90°, 3/8" TUBE TO 3/8" NPT	
13	11004	3 FT	TUBING, NYLON, AIR BRAKE, BLACK, 3/8" DIA	
14	40593	1	P-CLAMP	
15	82371	3	BOLT, HEX, 5/16-18 X 1" LG	
16	85090	4	WASHER, 5/16" FLAT	
17	85024	1	NUT, 5/16-18 NYLOCK	
18	40806	2	NIPPLE - CLOSE, 1-1/4" NPT	
19	40805	1	ELBOW, 90°, STREET 1-1/4" FEM TO 1-1/4" FEM	
20	40218	1	BALL VALVE, 1-1/4" NPT	
21	40984	1	ELBOW, 45°, 1-1/4" NPT TO 1-1/4" JIC	
22	41278	1	HOSE ASS'Y, 1-1/4" X 85-1/2" HOSE, 90-3/4" OAL, TANK TO PUMP	
23	60556-2	1	FILTER HEAD	
24	60556-1	1	FILTER	
25	1026037	1	SEAL	
26	85134	2	5/16" LOCKWASHER	
27	40963	2	ELBOW, 90°, 1-1/4" PIPE TO 1" JIC	
28	41120	2	NIPPLE - CLOSE, 1" NPT	
29	41119	1	ELBOW, 90°, STREET 1" FEM PIPE, BOTH ENDS	
30	40146	1	1" SHUT-OFF VALVE	
31	40961	1	STR ADAPTER - 1" PIPE TO 1" JIC	
32	41218	1	HOSE ASS'Y - 1" X 25" HOSE, 30-1/16" OAL, FILTER TO TANK	

REV	DATE	BY		SHEET
				1 OF 2

