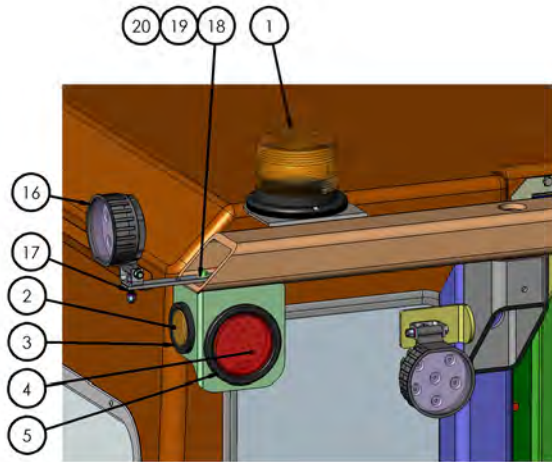


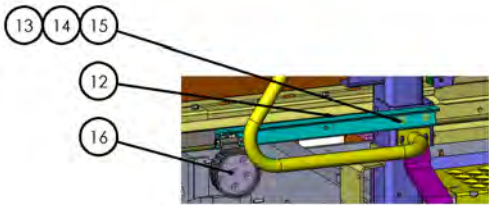
DESIGNED: ARE IN INCHES	NAME	DATE
TOLERANCES:	DRAWN	SCALE
DECIMAL	DATE	1/23/2019
FRACTIONAL	CHECKED	
ANGULAR	DATE	
FRACTIONAL	DATE	
DO NOT SCALE DRAWING		
UNLESS OTHERWISE SPECIFIED		
ALL DIMENSIONS ARE TO CENTER UNLESS OTHERWISE SPECIFIED		
ALL DIMENSIONS ARE TO CENTER UNLESS OTHERWISE SPECIFIED		
ALL DIMENSIONS ARE TO CENTER UNLESS OTHERWISE SPECIFIED		
ALL DIMENSIONS ARE TO CENTER UNLESS OTHERWISE SPECIFIED		
ALL DIMENSIONS ARE TO CENTER UNLESS OTHERWISE SPECIFIED		
ALL DIMENSIONS ARE TO CENTER UNLESS OTHERWISE SPECIFIED		

		TITLE: LIGHTS & MOUNTING, 2016 65-72' CAB, 2017, B6.7
SIZE: D	DWG. NO.: 721936-A1	REV:
SCALE: 1:32	WEIGHT:	SHEET 1 OF 2

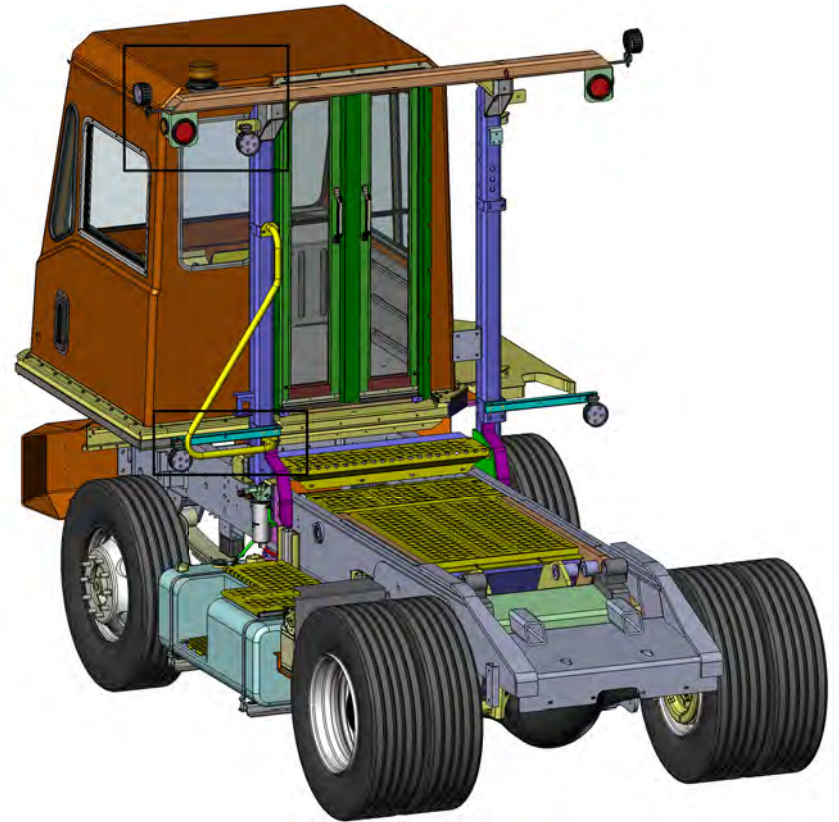
D 721936-A1



CAB BAR LIGHTING
DETAIL



LOWER CAB BAR
LIGHTING DETAIL



DESCRIPTIONS ARE IN INCHES	NAME	DATE
DRAWN	MAL	1/23/2019
CHECKED		
APPROVED		
DATE		
SCALE		
REVISIONS		
NO.	DESCRIPTION	DATE
1		
2		
3		
4		
5		
6		
7		
8		
9		
10		
11		
12		
13		
14		
15		
16		
17		
18		
19		
20		
21		
22		
23		
24		
25		
26		
27		
28		
29		
30		
31		
32		
33		
34		
35		
36		
37		
38		
39		
40		
41		
42		
43		
44		
45		
46		
47		
48		
49		
50		
51		
52		
53		
54		
55		
56		
57		
58		
59		
60		
61		
62		
63		
64		
65		
66		
67		
68		
69		
70		
71		
72		
73		
74		
75		
76		
77		
78		
79		
80		
81		
82		
83		
84		
85		
86		
87		
88		
89		
90		
91		
92		
93		
94		
95		
96		
97		
98		
99		
100		

TICO MANUFACTURING
 INC. 1100 S. 1000 E. ST. GEORGE, UT 84002
 (801) 771-2222
TITLE: LIGHTS & MOUNTING, 2016
 65-72" CAB 2017 86.7 FRAME
SIZE [DWG. NO.]:
D 721936-A1
SCALE: 1:32 | WEIGHT: [SHEET 2 OF 2]

