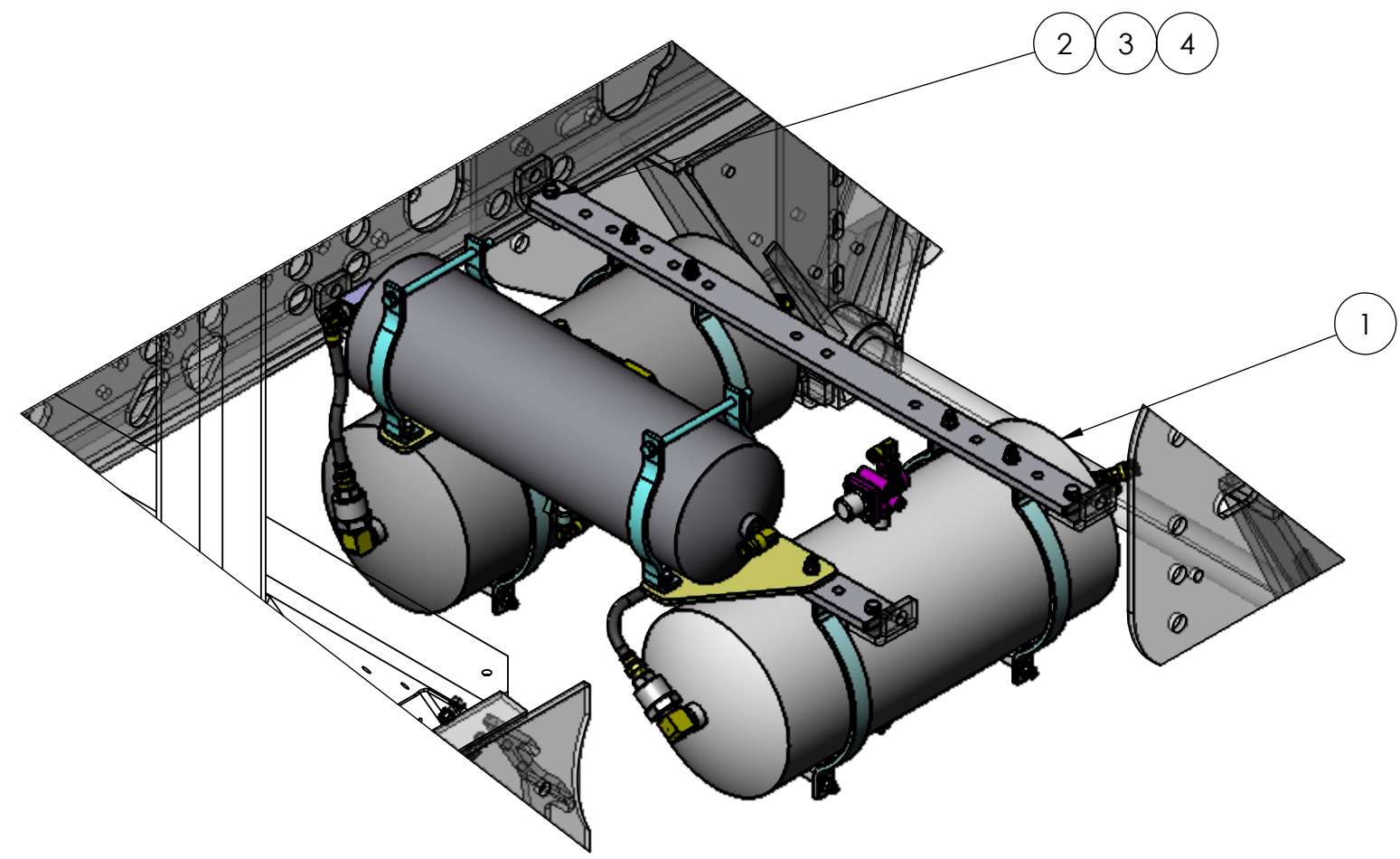


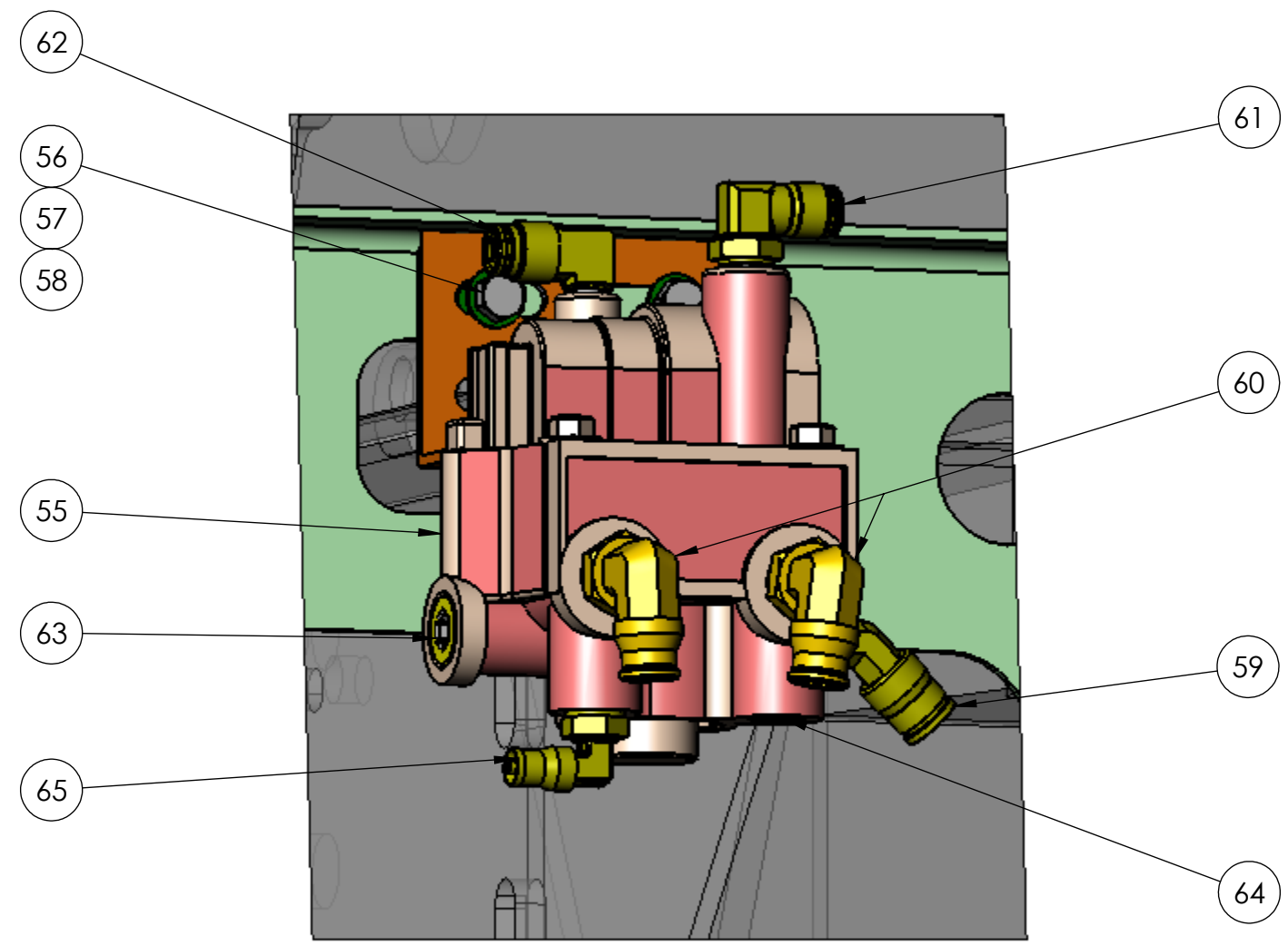
**721931-E1 AIR SYSTEM**  
**PAGE 1 MAJOR COMPONENT PLACEMENT**  
**PAGE 2-4 SUBASSEMBLY DETAILS**  
**PAGE 5-9 PART LISTS**

DIMENSIONS ARE IN INCHES		NAME	DATE	TICO MANUFACTURING 44 CYPRESS RIDGE DR. RIDGELAND, SC 29936 (843) 717-2226	
TOLERANCES:		DRAWN	MAL		11/6/2017
DECIMAL:		CHECKED			
.XX ± 0.04 .XXX ± 0.03 .XXXX ± 0.005 ANGULAR: ± 0.5° FRACTIONAL: ± 1/32"		APPROVED			
DO NOT SCALE DRAWING				TITLE: AIR SYSTEM	
THE SUBJECT MATTER SHOWN AND DESCRIBED IN THIS DRAWING AND ANY OTHER INFORMATION ADVANCED IN CONNECTION THEREWITH IS PROPRIETARY PROPERTY AND IS TO BE HELD IN STRICT CONFIDENCE BY YOU. ALL RIGHTS TO ANY INVENTIONS, DESIGNS, TRADE MARKS, TRADE NAMES AND COPYRIGHTS DISCLOSED ARE RESERVED TO TICO TERMINAL SERVICES, INC.				SIZE DWG. NO. REV <b>D</b> 721931-E1	
MATERIAL	N/A			SCALE: 1:32 WEIGHT: 5796.7832 LBS	
FINISH	SEE NOTE			PAGE 1 OF 4	
THICKNESS	N/A				

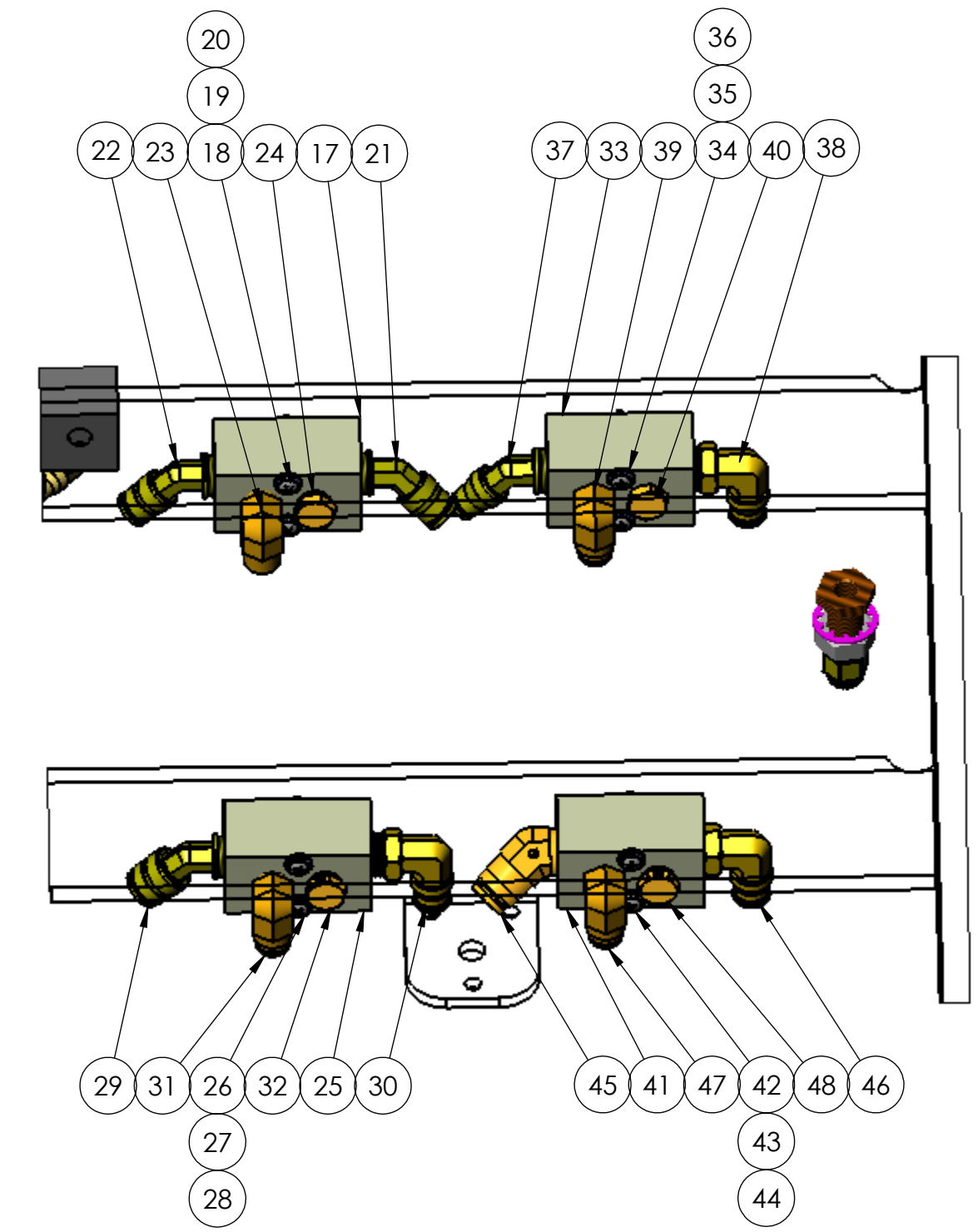
REV  
**D** 721931-E1



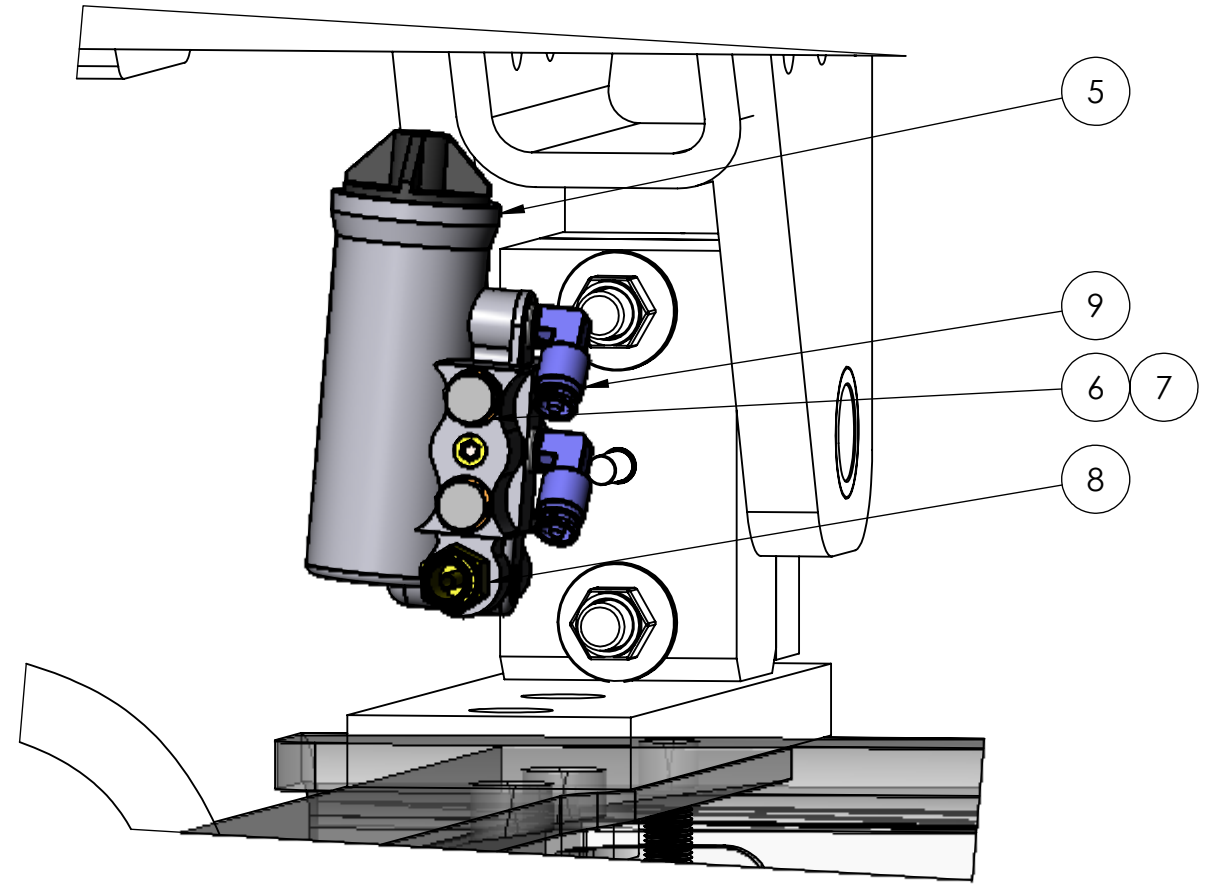
**AIR TANK ASSEMBLY**



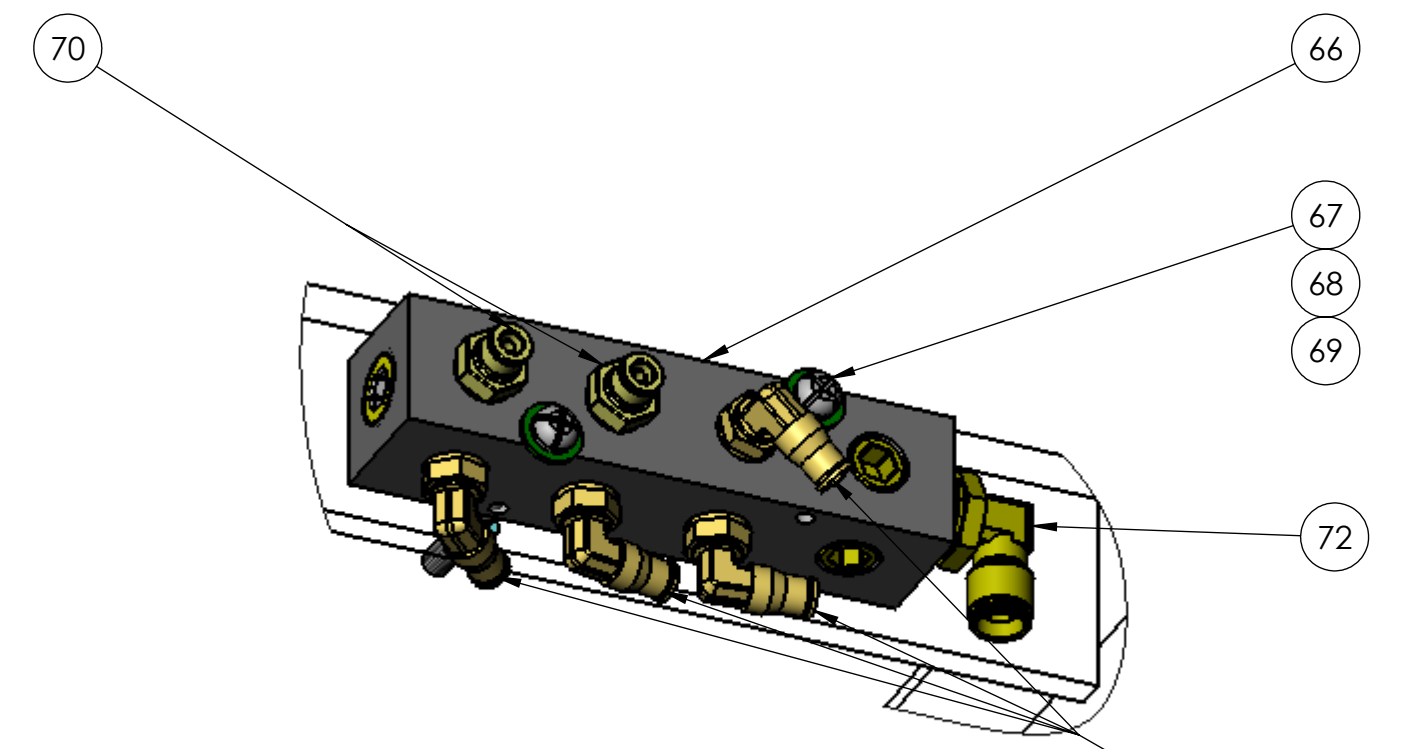
**BOBTAIL PROPORTIONING VALVE  
BP-R1 W/BRACKET**



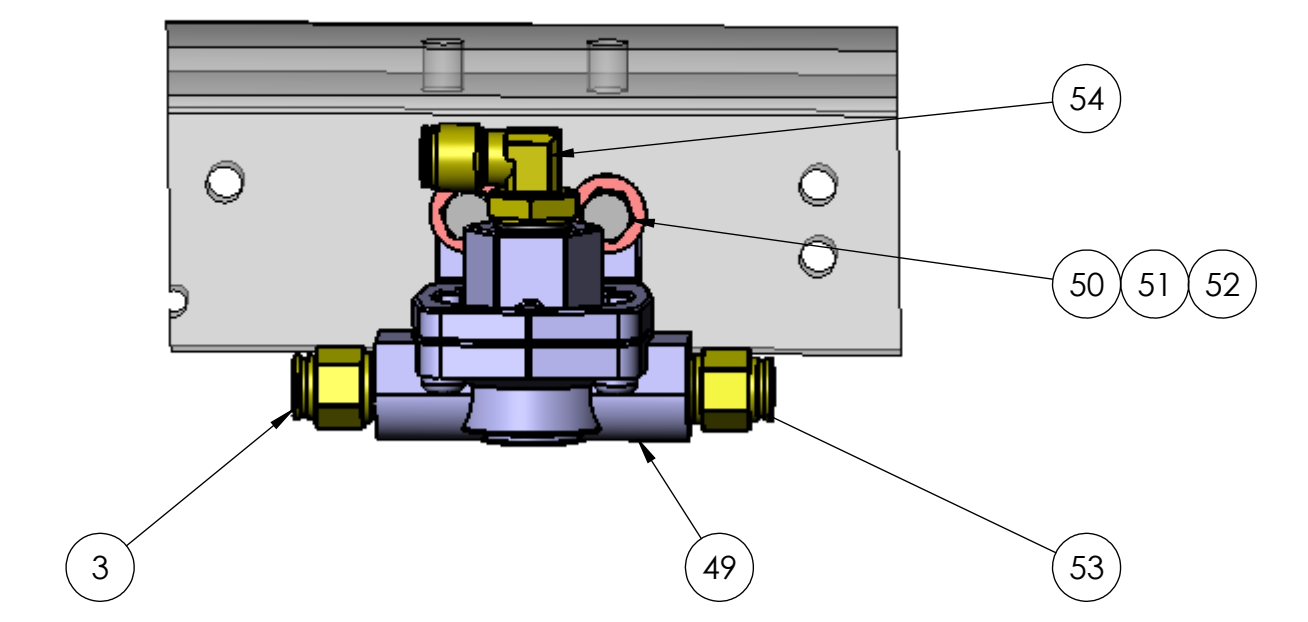
**SUPPLY/DELIVERY  
MANIFOLDS**



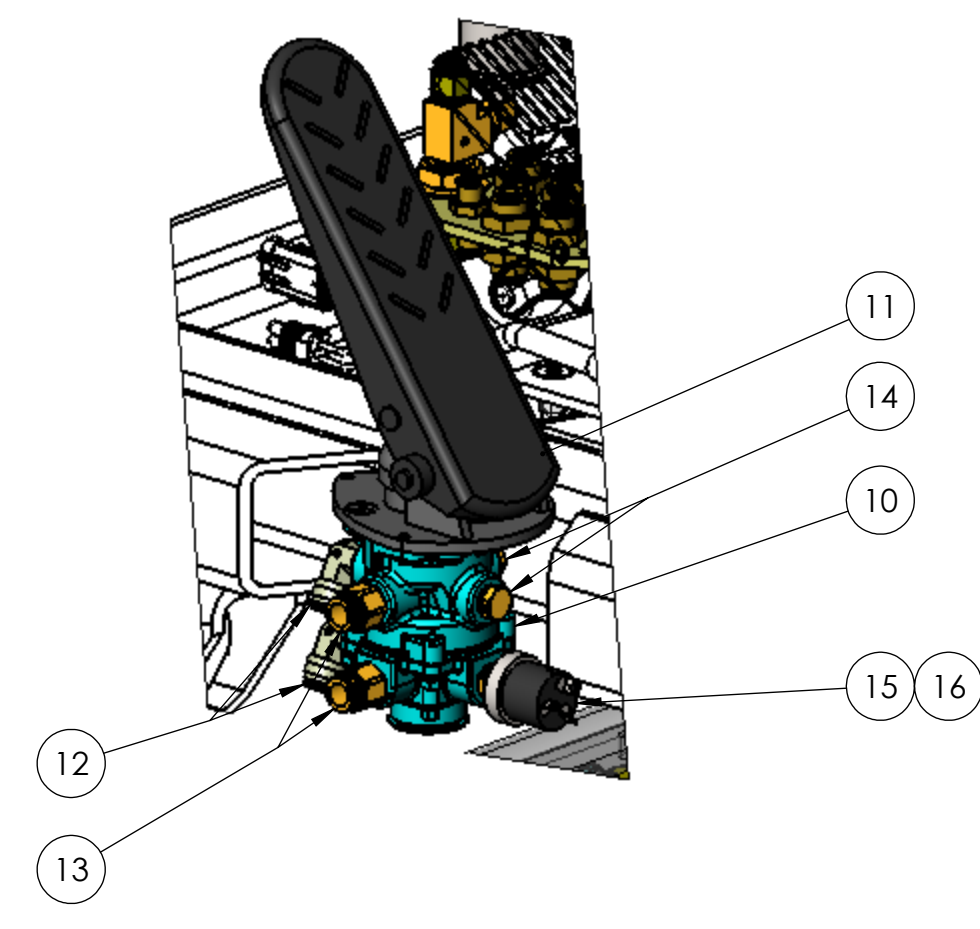
**GOVERNOR**



**ACCESSORY AIR MANIFOLD  
ASSEMBLY**

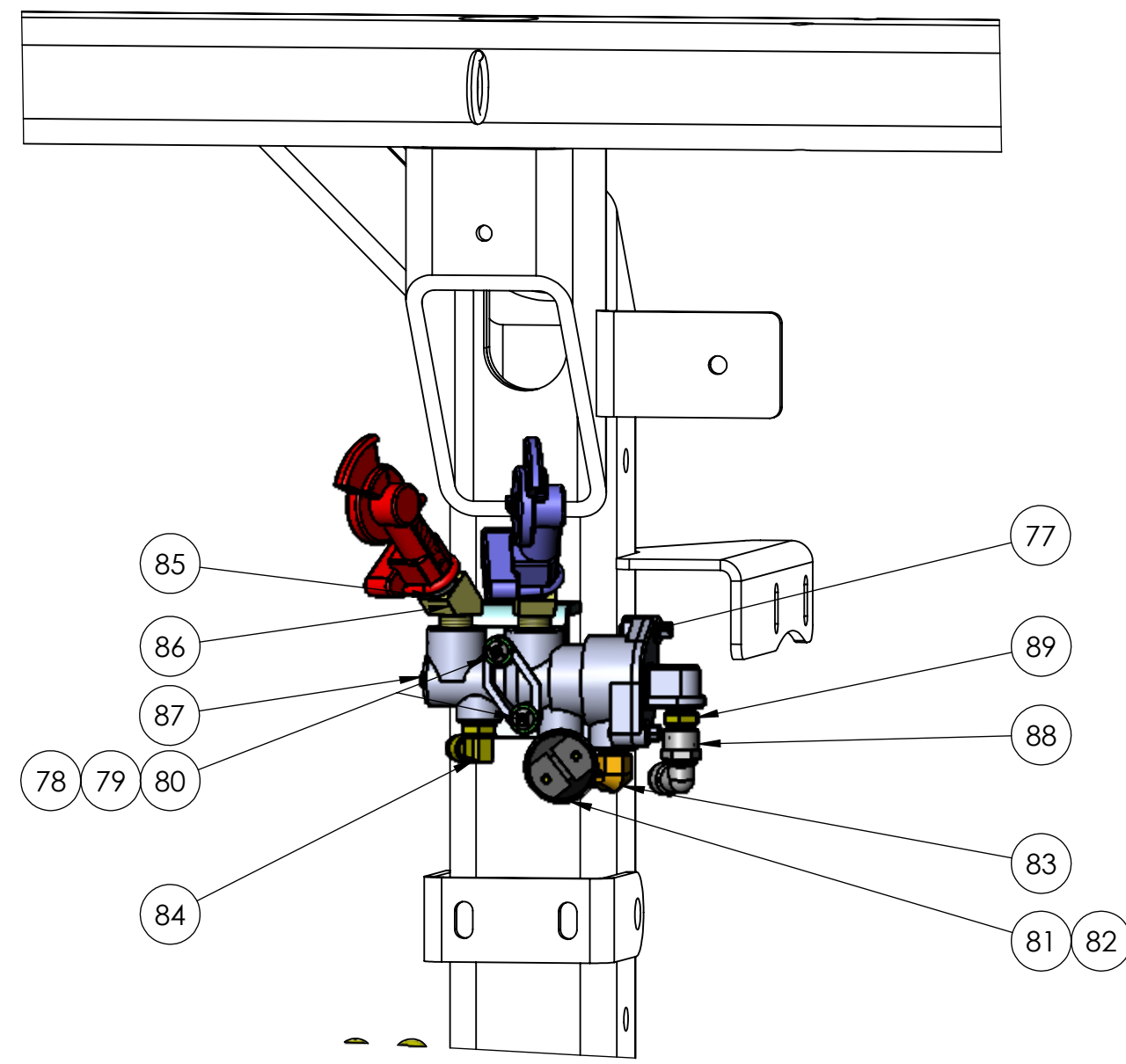


**VALVE-BRAKE  
QUICK RELEASE QR-1**

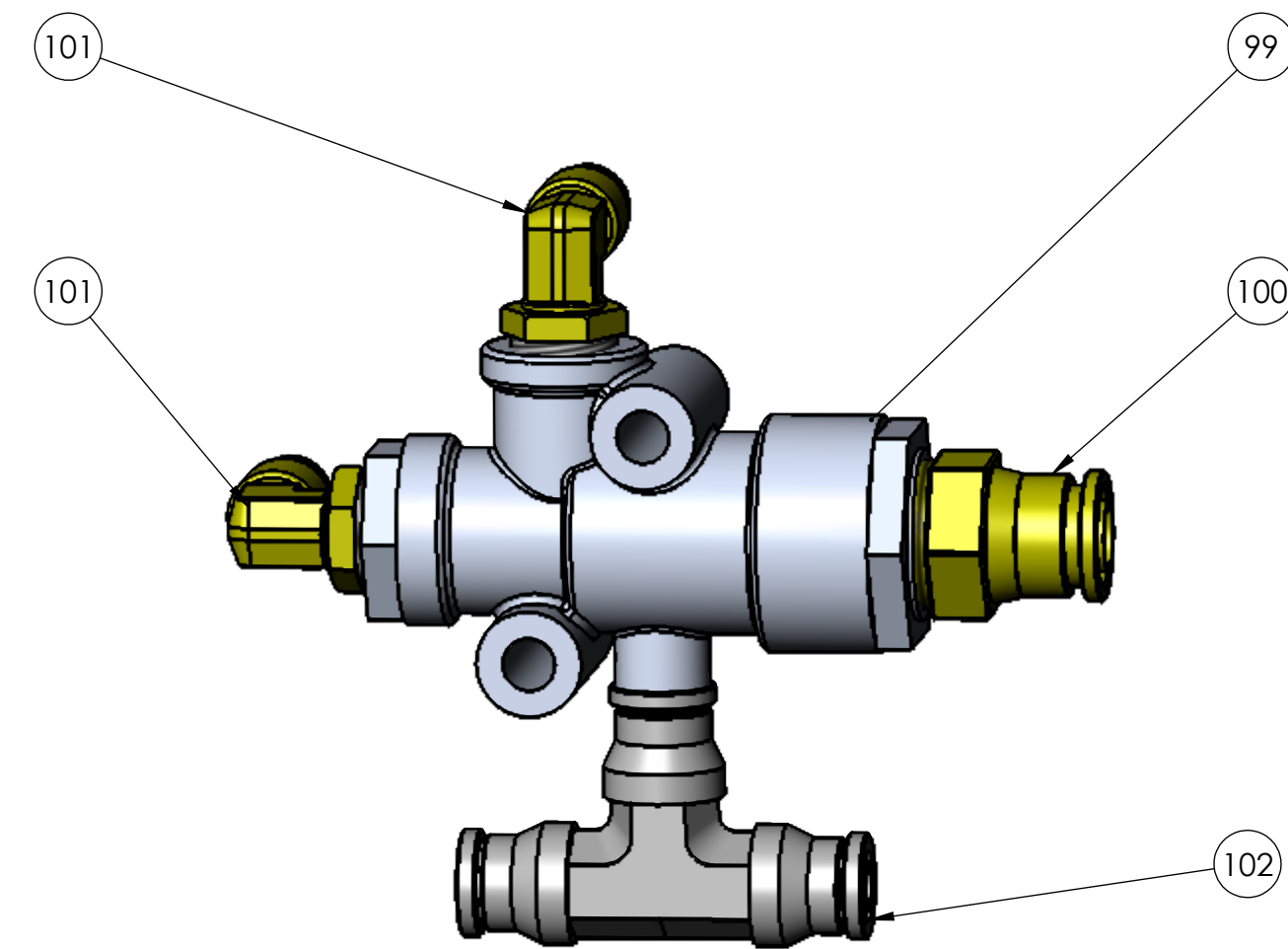


**BRAKE PEDAL ASSEMBLY**

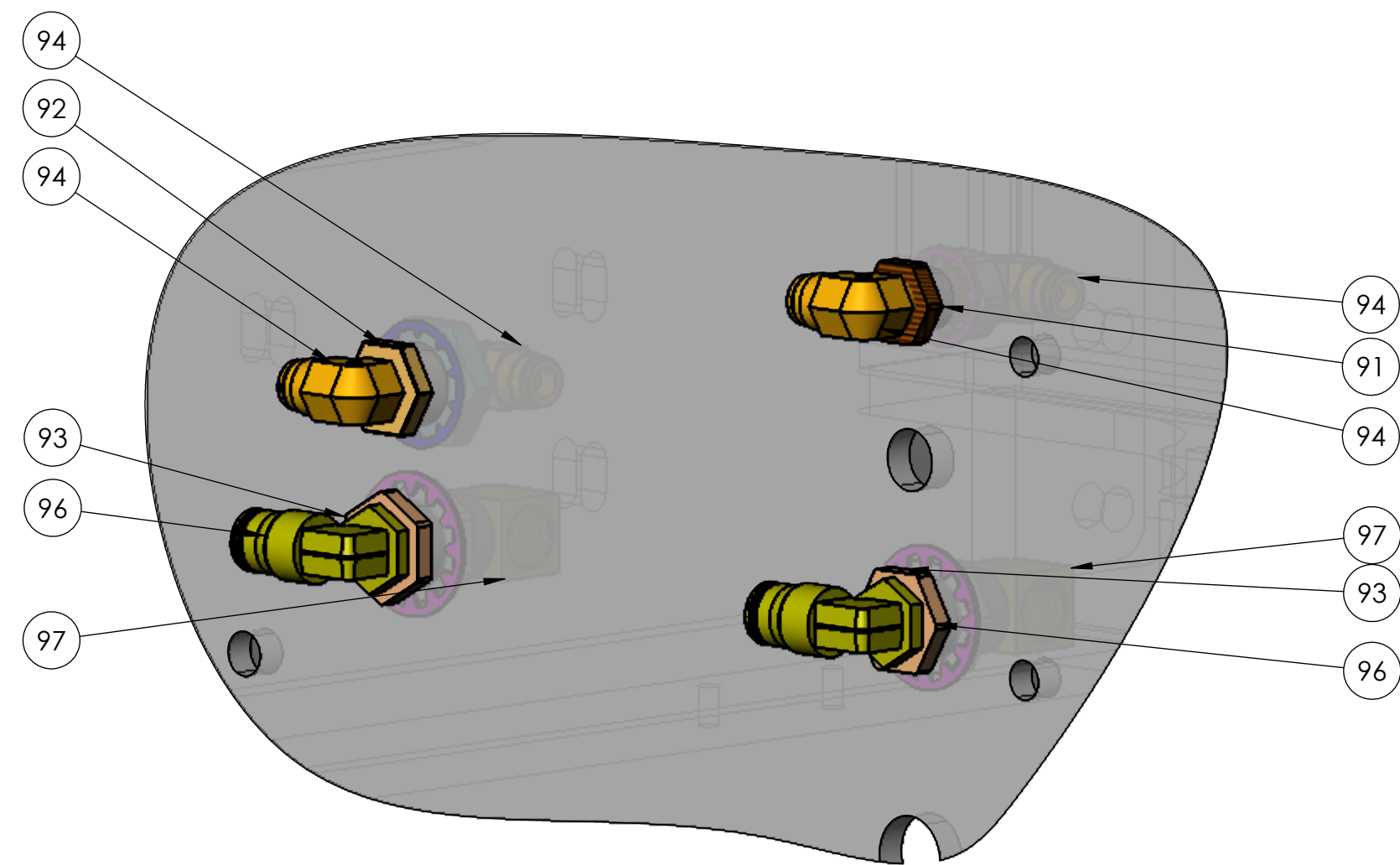
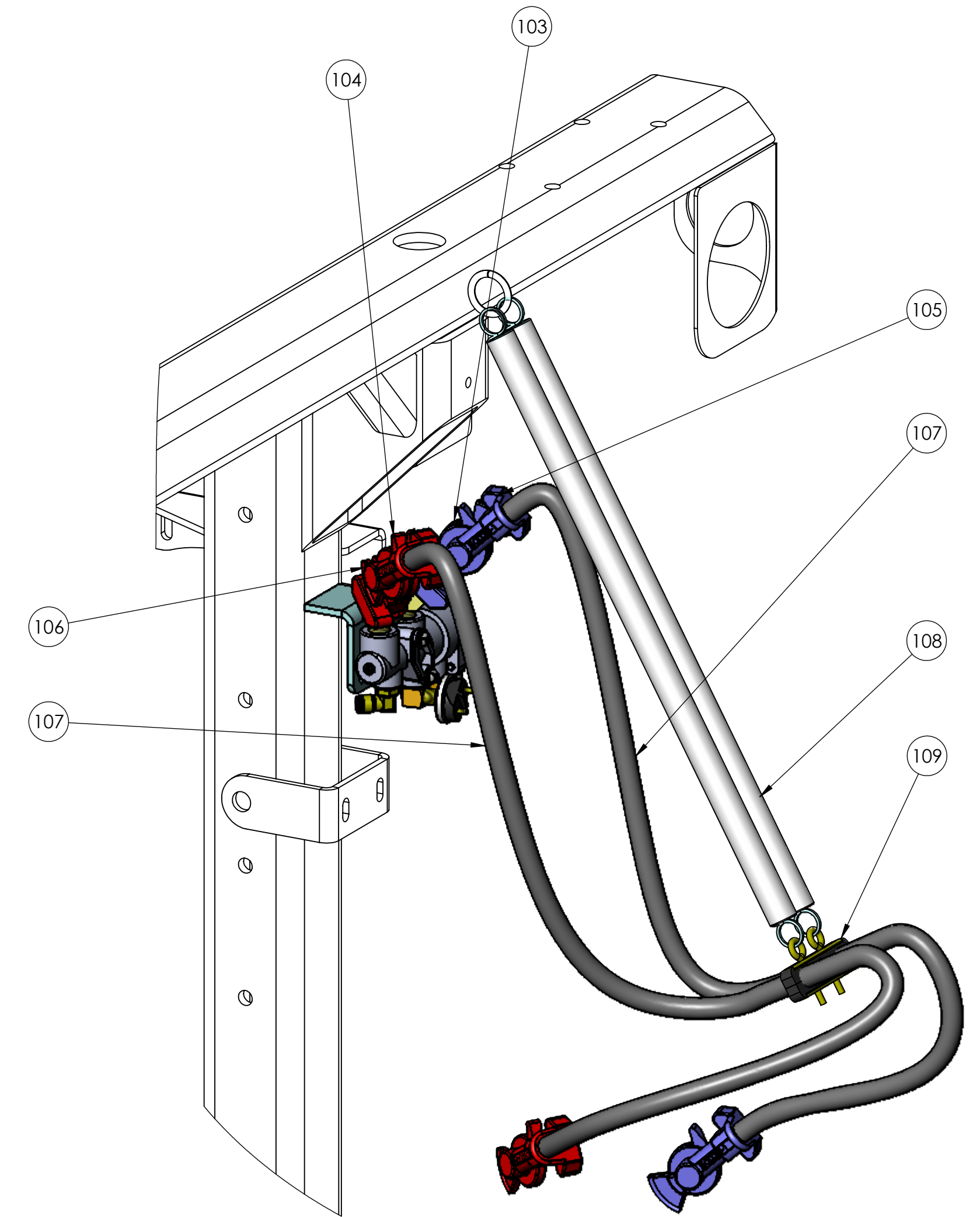
DIMENSIONS ARE IN INCHES TOLERANCES: DECIMAL: X.X ± 0.04 X.XX ± 0.03 X.XXX ± 0.005 ANGULAR: ± 0.5° FRACTIONAL: ± 1/32"		NAME MAL	DATE 11/16/2017	 TICO/TERMINAL SERVICE 64 CYPRESS RIDGE DR. RIDGELAND, SC 29936 (843) 717-2226
INTERPRET GEOMETRIC TOLERANCING PER: ASME Y14.5M-1994		CHECKED	APPROVED	
MATERIAL: N/A		DO NOT SCALE DRAWING		SIZE DWG. NO. <b>D</b> 721931-E1
FINISH: SEE NOTE		THE SUBJECT MATTER SHOWN AND DESCRIBED IN THIS DRAWING AND ANY OTHER INFORMATION ADVANCED IN CONNECTION THEREWITH IS PROPRIETARY PROPERTY AND IS TO BE HELD IN STRICT CONFIDENCE BY YOU. ALL RIGHTS TO ANY INVENTIONS, DESIGNS, TRADE MARKS, TRADE NAMES AND COPYRIGHTS DISCLOSED ARE RESERVED TO TICO/TERMINAL SERVICES, INC.		REV
THICKNESS: N/A		SCALE: 1:32 WEIGHT: 5796.78		REV 2 OF 4



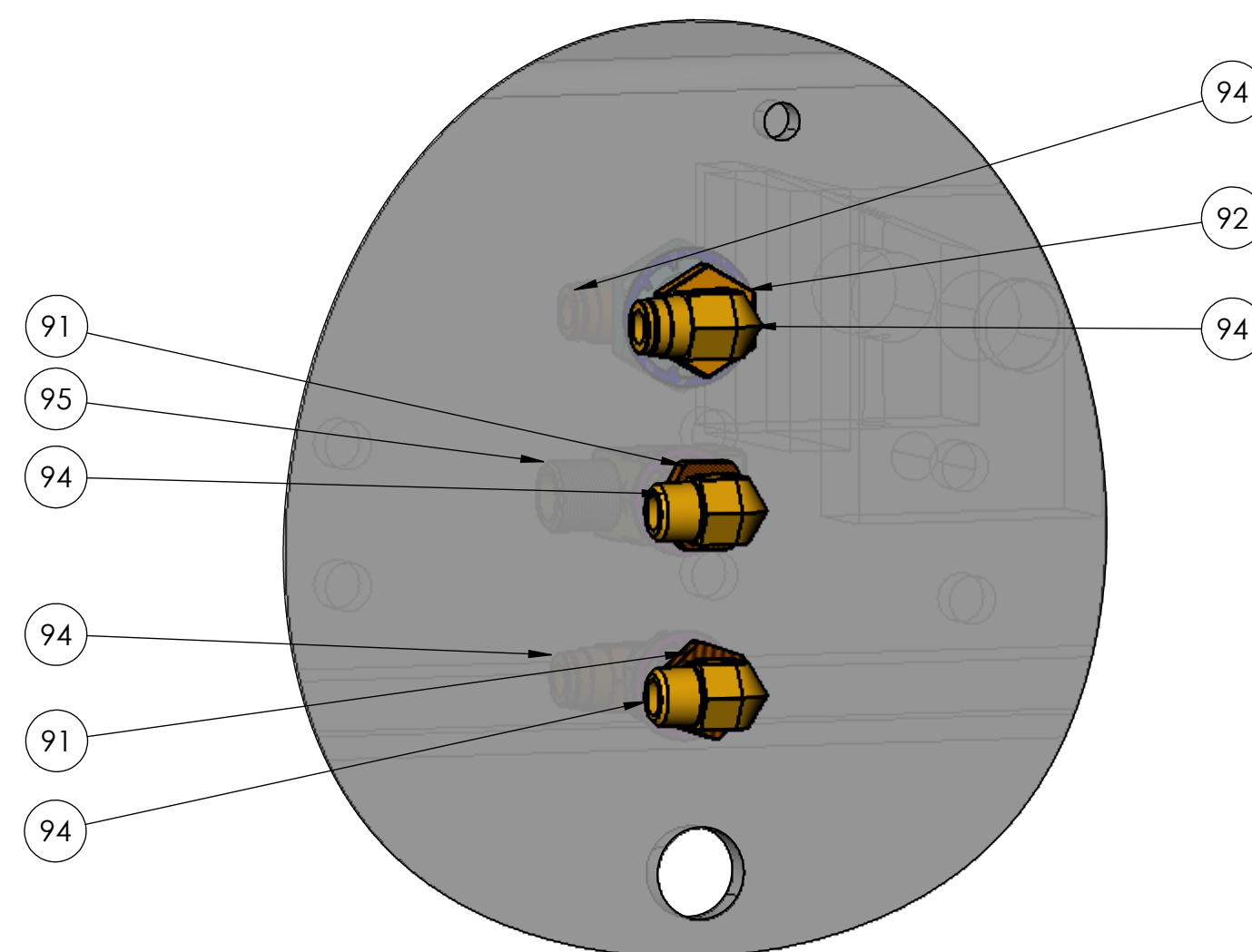
**TRACTOR PROTECTION VALVE  
TP-3DC**



**INVERSION VALVE  
TR-3**

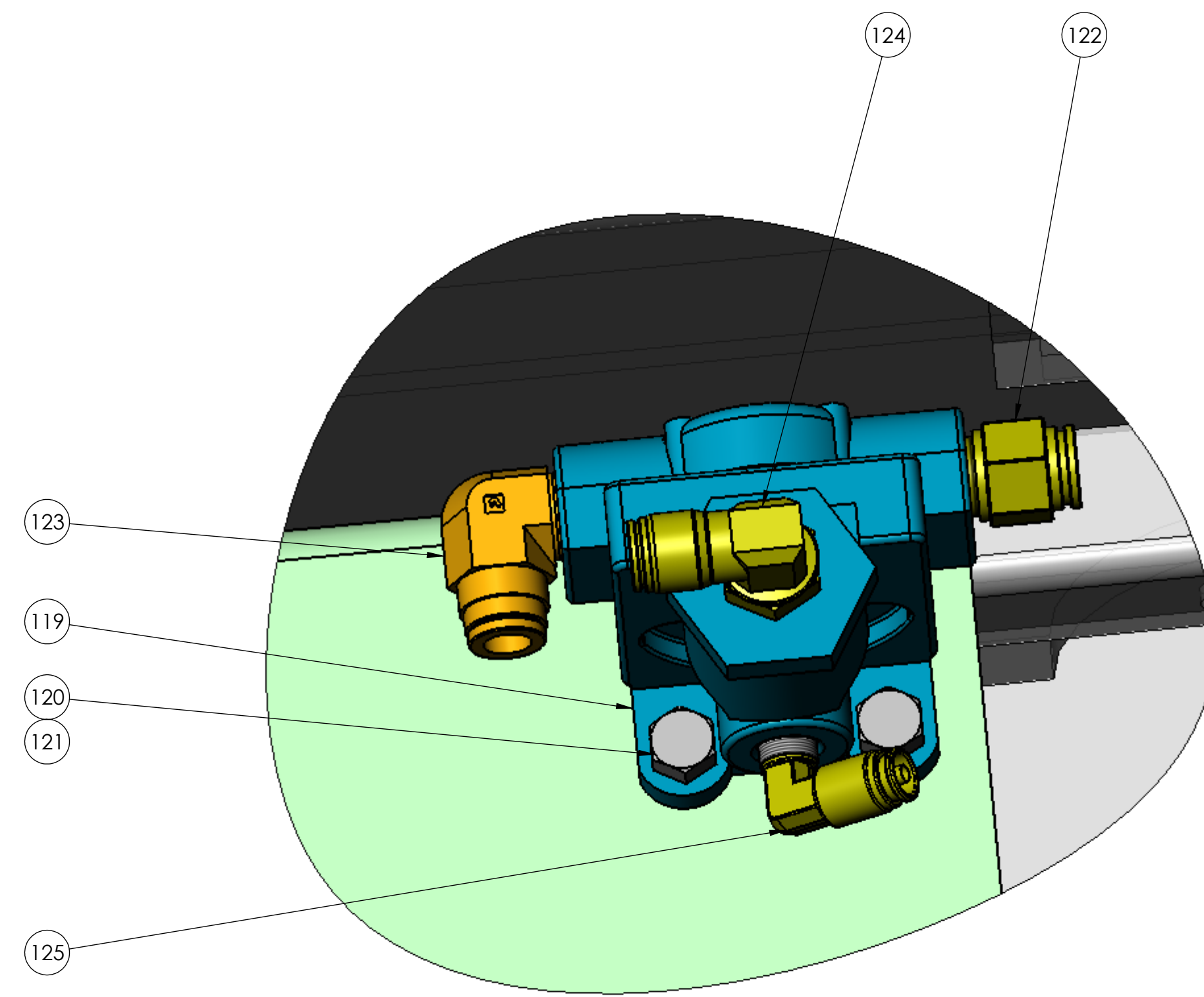
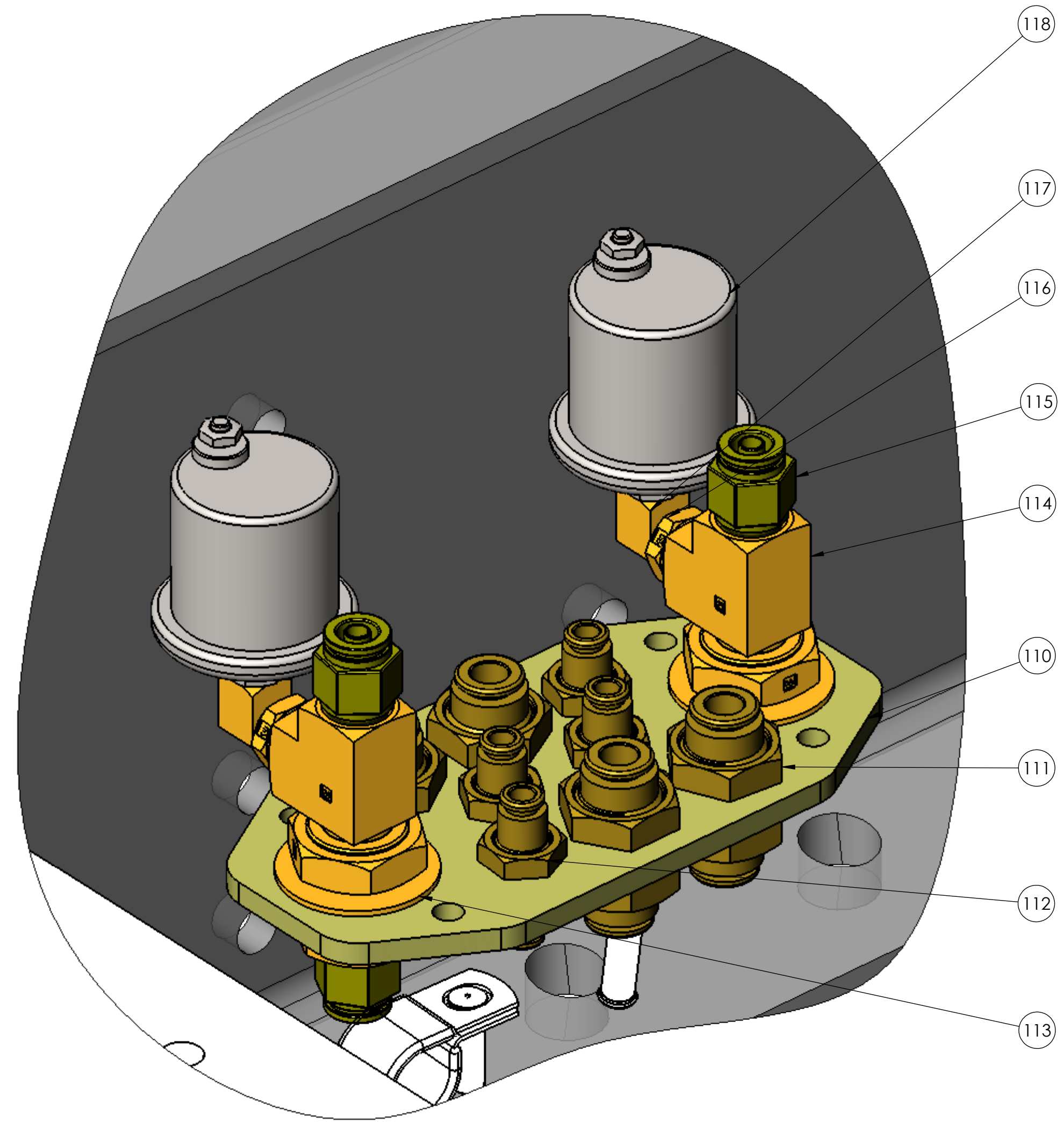



**LEFT RAIL BULKHEAD FITTINGS**



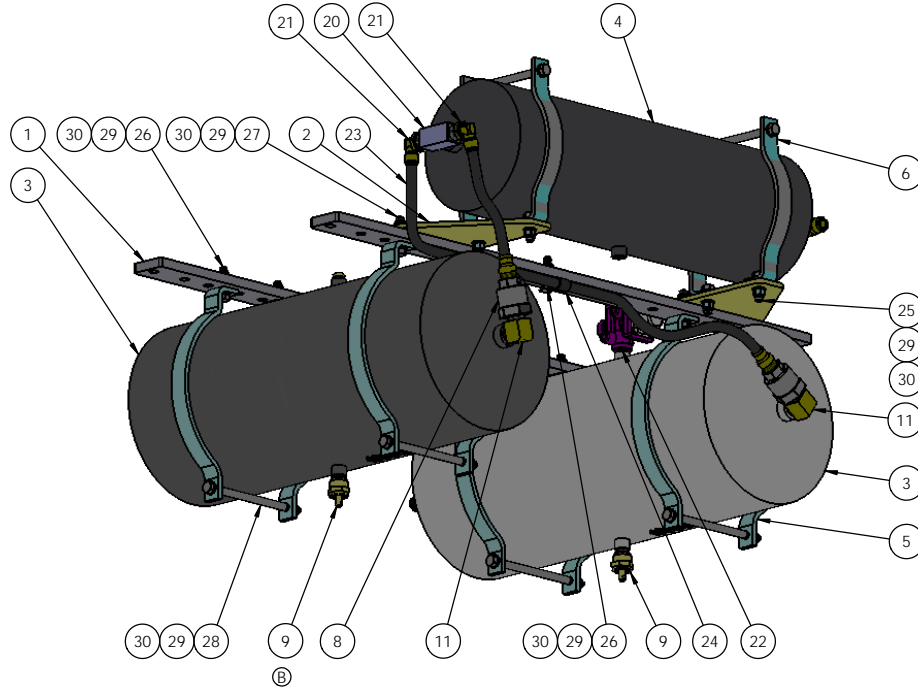
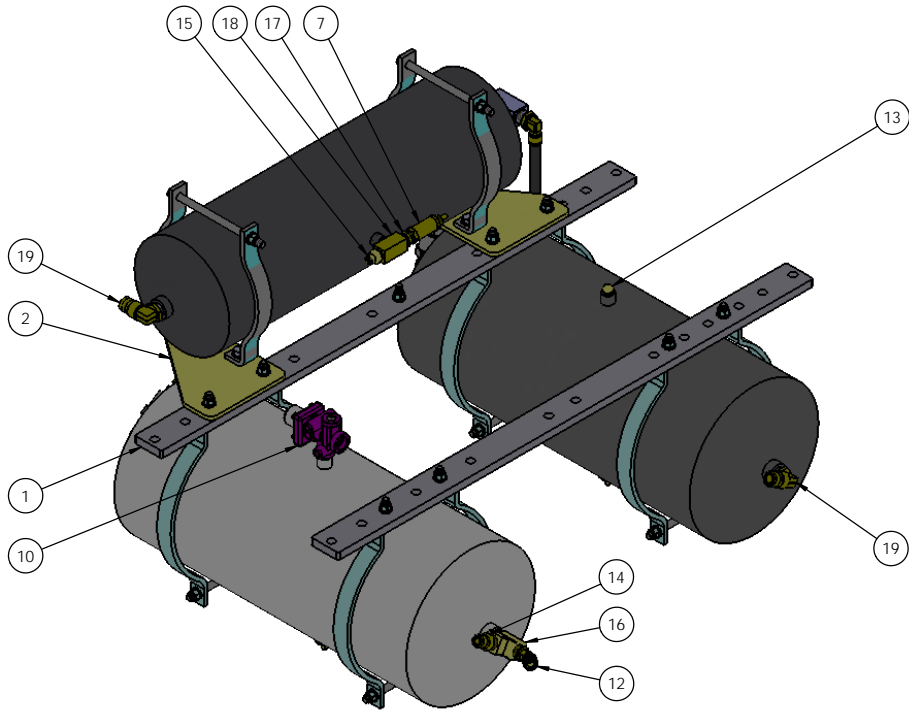
**RIGHT RAIL BULKHEAD FITTINGS**

DIMENSIONS ARE IN INCHES TOLERANCES: DECIMAL: X.X ± 0.04 X.XX ± 0.03 X.XXX ± 0.005 ANGULAR: ± 0.5° FRACTIONAL: ± 1/32"		NAME MAL	DATE 11/16/2017	 TICO/TERMINAL SERVICE 44 CYPRESS RIDGE DR. RIDGELAND, SC 29936 (843) 717-2226
INTERPRET GEOMETRIC TOLERANCING PER: ASME Y14.5M-1994		CHECKED	APPROVED	
MATERIAL: N/A		DO NOT SCALE DRAWING		SIZE DWG. NO. <b>D 721931-E1</b>
FINISH: SEE NOTE		THE SUBJECT MATTER SHOWN AND DESCRIBED IN THIS DRAWING AND ANY OTHER INFORMATION ADVANCED IN CONNECTION HEREWITH IS PROPRIETARY PROPERTY AND IS TO BE HELD IN STRICT CONFIDENCE BY YOU. ALL RIGHTS TO ANY INVENTIONS, DESIGNS, TRADE MARKS, TRADE NAMES AND COPYRIGHTS DISCLOSED ARE RESERVED TO TICO/TERMINAL SERVICES, INC.		REV 3 OF 4
THICKNESS: N/A		SCALE: 1:32 WEIGHT: 5796.78		



DIMENSIONS ARE IN INCHES		NAME	DATE	 TICO/TERMINAL SERVICE 64 CYPRESS RIDGE DR. RIDGELAND, SC 29936 (843) 717-2226
TOLERANCES: DECIMAL: XX ± 0.04 XXX ± 0.03 XXXX ± 0.005 ANGULAR: ± 0.5° FRACTIONAL: ± 1/32"		DRAWN	MAL	
INTERPRET GEOMETRIC TOLERANCING PER: ASME 14.5M-1994		CHECKED		
MATERIAL: N/A		APPROVED		
FINISH: SEE NOTE		DO NOT SCALE DRAWING		
THICKNESS: N/A		THE SUBJECT MATTER SHOWN AND DESCRIBED IN THIS DRAWING AND ANY OTHER INFORMATION ADVANCED IN CONNECTION THEREWITH IS PROPRIETARY PROPERTY AND IS TO BE HELD IN STRICT CONFIDENCE BY YOU. ALL RIGHTS TO ANY INVENTIONS, DESIGNS, TRADE MARKS, TRADE NAMES AND COPYRIGHTS DISCLOSED ARE RESERVED TO TICO/TERMINAL SERVICES, INC.		
		TITLE: <b>AIR SYSTEM</b>		SIZE DWG. NO. REV <b>D</b> 721931-E1
		SCALE: 1:32 WEIGHT:		SHEET 4 OF 4

REV  
D 721931-E1



REV.	DESCRIPTION	ECN	DATE	APPROVED
A	RELEASED.		8/11/2016	
B	MOVED AIR DRAIN FROM 7" TANK TO 10" TANK. UPDATED QTY 420332 FROM 4 TO 2. UPDATED QTY OF 41076 FROM 1 TO 20 IN	16529	11/3/2016	

30	34	85102	WASHER, FLAT 3/8	
29	17	85025	LOCKNUT, NYLOCK 3/8-16	
28	4	82603	BOLT, HEX 3/8-16 X 6 1/2 LG	
27	4	82405	BOLT, HEX 3/8-16 X 1 3/4 LG	
26	5	82394	BOLT, HEX 3/8-16 X 1 1/2 LG	
25	4	82383	BOLT, HEX 3/8-16 X 1-1/4" LG	
24	1	40826	CLAMP, LOOM 1/2"	0.05
23	20IN	41076	TUBE, AIR BRAKE (BLACK) 1/2 OD 1120-4A SAE J844 TYPE 3A	0.2
22	1	420339	NIPPLE, 1/4 NPT X CLOSE, BRASS	0.02
21	2	42064	PUSH TO CONNECT, 90 DEG 1/2 MPT TO 1/2 TUBE	
20	1	42049	TEE-BRANCH 1/2 NPT BRASS	
19	2	40878	PUSH TO CONNECT, BRASS 90 DEG 1/2 MPT TO 5/8 TUBE	
18	1	40873	FITTING, BRANCH TEE 3/8 FPT	
17	1	40851	REDUCER, BUSHING 3/8 MNPT TO 1/4 FNPT	
16	1	40848	TEE, BRASS STREET 1/2 NPT	
15	1	40833	PUSH TO CONNECT, STR 3/8 MPT TO 1/4 TUBE	
14	3	40832	PUSH TO CONNECT, BRASS STR 1/2 MPT TO 1/2 TUBE	
13	1	40824	PLUG, HEX HD 1/4" NPT	0.03
12	1	40822	PUSH TO CONNECT, 45 DEG 1/2 MPT X 1/2 TUBE	
11	2	40817	ELBOW, 90 DEG STREET 1/2 NPT TO 1/2 FPT	
10	1	40771	VALVE, PRESSURE PROTECTION PR-4 70 PSI 1/4 NPT	
9	2	40148	VALVE AIR TANK DRAIN	0.21
8	2	40029-1	VALVE CHECK AIRTANK (NEWSTYLE)	
7	1	40022	VALVE AIR PRESSURE RELIEF	
6	2	420332	AIR TANK BRACKET KIT, 7" DIA.	1.48
5	8	40393-1	AIR TANK BRACKET, 10" DIA.	
4	1	420331	RESERVOIR TANK, AIR 7" DIA X 25" LG	
3	2	10032	RESERVOIR TANK, AIR 10" DIA X 25" LG	
2	2	121637	MOUNTING PLATE, 7" DIA AIR RESERVOIR	2.2
1	2	12357	SUPPORT BAR AIR TANK	9.54
ITEM NO.	QTY.	PART NUMBER	DESCRIPTION	WEIGHT

DIMENSIONS ARE IN INCHES  
 TOLERANCES:  
 DECIMAL:  
 .XX ± 0.06  
 .XXX ± 0.03  
 .XXXX ± 0.005  
 ANGULAR ± 0.5°  
 FRACTIONAL ± 1/32"

INTERPRET GEOMETRIC TOLERANCING PER: ASME Y14.5M-1994

FINISH

THICKNESS

DO NOT SCALE DRAWING

THE SUBJECT MATTER SHOWN AND DESCRIBED IN THIS DRAWING AND ANY OTHER INFORMATION ADVANCED IN CONNECTION HERewith IS THE PROPRIETARY PROPERTY AND IS TO BE HELD IN STRICT CONFIDENCE BY YOU. ALL RIGHTS TO ANY INVENTIONS, DESIGNS, TRADE MARKS, TRADE NAMES AND COPYRIGHTS DECLARED ARE RESERVED TO TICO TERMINAL SERVICES, INC.

TICO/TERMINAL SERVICE  
 66 CYPRESS RIDGE DR.  
 RIDGELAND, SC 29936  
 (843) 717-2226

TITLE:  
**ASSEMBLY, (3) AIR TANKS, PSI**

SCALE: 1:5 | WEIGHT: 1201.08 | SHEET 1 OF 1

SIZE DWG. NO. 420338 | REV B



TICO PRO-SPOTTER				
AIR SYSTEM, 2017-III, PSI 8.8L				721931
ITEM	PART #	QTY/M	DESCRIPTION	
	721931-E1	REF	AIR SYSTEM, INSTALLATION	
	620885	REF	AIR SCHEMATIC, 2017 CAB-III, ON-ROAD, DOLLY & MAGNETIC SWEEPER OPTION	
1	420338	1	ASSEMBLY, (3) AIR TANKS, PSI	
2	82394	4	BOLT, HEX 3/8" - 16 x 1 1/2" Lg	
3	85102	8	WASHER, FLAT 3/8"	
4	85025	4	LOCKNUT, 3/8" - 16 NYLOK	
5	60023	1	GOVERNOR, D2	
6	80308	2	CAPSCREW, M8 x 1.25 x 70 LG	
7	85134	2	LOCKWASHER, 5/16"	
8	40854	1	ADAPTER, 1/8 NPT, 1/4 COMPRESSION, STR	
9	40860	1	ADAPTER, 1/8 NPT, 1/4 COMPRESSION, 90	
10	40547	1	VALVE-DUAL BRAKE, E-6	
11	90026	1	TREADLE-BRAKE	
NOT SHOWN	82360	3	BOLT, 5/16" x 3/4" Lg	
NOT SHOWN	82371	3	BOLT, 5/16" x 1" Lg	
12	40819	2	FITTING, ELBOW, 90°, BRASS, 1/2 TUBE X 3/8 NPT	
13	42187	2	FITTING, STR, BRASS, 1/2 TUBE X 3/8 NPT	
14	11041	4	FITTING, PLUG, 3/8 NPT	
15	42260	1	FITTING, REDUCER BUSHING, BRASS, 3/8 NPT X 1/8NPT	
16	91236	1	SWITCH, DUAL CIRCUIT NO-NC 4 PSI SET PRESS	
17	122130	1	MANIFOLD-SUPPLY REAR, 2 x 1/2" NPT, 2 x 3/8" NPT	
18	80323	2	SCREW, PAN HD, #10-32 x 2 Lg, SS	
19	80232	4	WASHER, FLAT, SAE, #10, SS	
20	800424	2	NUT, #10-32, NYLOK, SS	
21	40822	1	FITTING, ELBOW, 45°, BRASS, 1/2 TUBE X 1/2 NPT	
22	40822	1	FITTING, ELBOW, 45°, BRASS, 1/2 TUBE X 1/2 NPT	
23	40823	1	FITTING, ELBOW, 90°, BRASS, 3/8 TUBE X 3/8 NPT	
24	11041	1	FITTING, PLUG, 3/8 NPT	
25	122130	1	MANIFOLD-SUPPLY FRONT, 2 x 1/2" NPT, 2 x 3/8" NPT	
26	80323	2	SCREW, PAN HD, #10-32 x 2 Lg, SS	
27	80232	4	WASHER, FLAT, SAE, #10, SS	
28	800424	2	NUT, #10-32, NYLOK, SS	
29	40830	1	FITTING, ELBOW, 45°, BRASS, 5/8 TUBE X 1/2 NPT	
30	42265	1	FITTING, ELBOW, 90°, BRASS, 1/2 TUBE X 1/2 NPT	
31	40823	1	FITTING, ELBOW, 90°, BRASS, 3/8 TUBE X 3/8 NPT	
32	11041	1	FITTING, PLUG, 3/8 NPT	
<b>REV</b>	<b>DATE</b>	<b>BY</b>		<b>SHEET</b>
E	10/30/2018	MAL		1 OF 4
<b>TICO MANUFACTURING - RIDGELAND, SC 29936</b>				



TICO PRO-SPOTTER				
AIR SYSTEM, 2017-III, PSI 8.8L				721931
ITEM	PART #	QTY/M	DESCRIPTION	
66	10949	1	MANIFOLD-ACCESSORY AIR	
67	82459	2	CAPSCEW-5/16-18 X 3 LG HEX HD	
68	85090	2	WASHER, FLAT 5/16 SS	
69	85024	2	LOCKNUT-5/16	
70	40833	2	FITTING, ADAPTER STR, BRASS, 1/4" TUBE X 3/8" NPT	
71	40887	4	FITTING, ELBOW 90°, BRASS, 1/4" TUBE X 3/8" NPT, SWIVEL	
72	42064	1	FITTING, ELBOW 90°, BRASS, 1/2" TUBE X 1/2" NPT, SWIVEL	
73	40829	1	BULKHD, BRASS-1/4	
74	40883	1	FITTING, STR 1/4 NPT TO 1/4 TUBE	
75	42084	1	VALVE, AIR TANK DRAIN	
76	42063	1	FITTING, ELBOW 90°, BRASS 3/8 TUBE X 1/4 NPT	
77	40635	1	VALVE-TRACTOR PROTECTION TP-3DC	
78	82459	2	BOLT, 5/16-18 X 3 LG	
79	85090	4	WASHER, FLAT 5/16	
80	85024	2	LOCKNUT, 5/16-18 NYLOK	
81	90078	1	SWITCH-PRESSURE, STOP LIGHT, BENDIX SL-5	
82	42208	1	FITTING, STREET 90°, BRASS, 3/8 X 1/4	
83	40823	1	FITTING, ELBOW 90°, BRASS, 3/8 TUBE X 3/8NPT	
84	42063	1	FITTING, ELBOW 90°, BRASS, 3/8 TUBE X 1/4NPT	
85	40799	2	FITTING, CLOSE NIPPLE BRASS, 1/2 NPT	
86	40899	2	FITTING, STREET ELBOW 45° BRASS, 1/2 NPT	
87	40858	1	PLUG, 1/8 NPT, ALLEN HD	
88	42240	1	ELBOW 90 DEG 3/8 FEM PIPE TO 3/8 PUSH TO CONNECT	
89	40906	1	NIPPLE, BRASS HEX-3/8	
90	90295	1	VALVE, AIR REGULATOR	
NOT SHOWN	82370	2	BOLT, HEX 1/4-20 X 1 Lg	
NOT SHOWN	85111	4	WASHER, FLAT 3/8	
NOT SHOWN	85034	2	LOCKNUT, 3/8-16	
91	40829	2	FITTING, BULKHD, BRASS, 1/4 NPT LONG	
92	40827	4	FITTING, BULKHD, BRASS, 3/8 NPT	
93	42088	2	FITTING, BULKHD, BRASS, 1/2 NPT	
94	40823	8	FITTING, ELBOW 90°, BRASS, 3/8 TUBE X 3/8 NPT	
95	40848	1	FITTING, STREET TEE, BRASS, 1/2 NPT	
96	40878	2	FITTING, ELBOW 90°, BRASS, 5/8 TUBE X 1/2 NPT	
97	40817	2	FITTING, STREE ELBOW 90°, BRASS, 1/2 NPT	
98	62253	1	BRACKET- HOSE GUIDE	
99	91966	1	VALVE-INVERSION TR-3	
100	40885	1	FITTING, ELBOW 90° BRASS, 3/8 TUBE X 1/8 NPT, SWIVEL	
101	40861	2	FITTING, ELBOW 90° BRASS, 1/4 TUBE X 1/4 NP, SWIVEL	
102	42273	1	FITTING - UNION TEE, BRASS, 3/8" TUBE	
<b>REV</b>	<b>DATE</b>	<b>BY</b>		<b>SHEET</b>
E	10/30/2018	MAL		3 OF 4

