
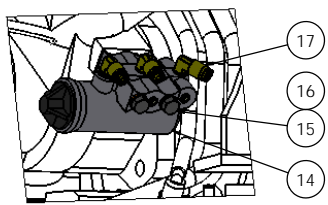


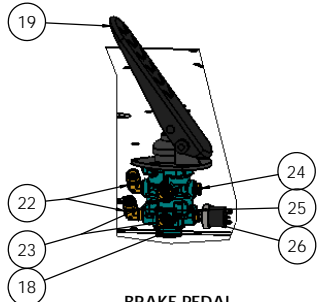
AIR SYSTEM, 2017-III DOT-121-3 TANK
 PAGE 1 GENERAL OVERVIEW
 PAGE 2-4 DETAIL VIEWS
 PAGE 5-8 PARTSLIST

DIMENSIONS ARE IN INCHES		NAME	DATE	TICO MANUFACTURING 66 CYPRUS ROAD DR. ROCKLAND, NC 27854 (843) 717-2226
TOLERANCES:		DRAWN	1/19/2018	
DECIMAL		BY		
FRACTIONAL		CHECKED		
ANGULAR		APPROVED		TITLE: AIR SYSTEM
FUNCTIONAL				SIZE DWG. NO. 721930-A1
REV				REV
SEE NOTE				D
REVISION				SCALE: 1:32 [WEIGHT: 7830.20] SHEET 1 OF 4
REVISION				

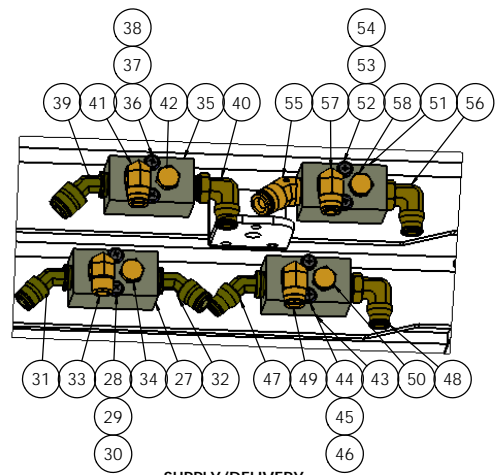
D 721930-A1



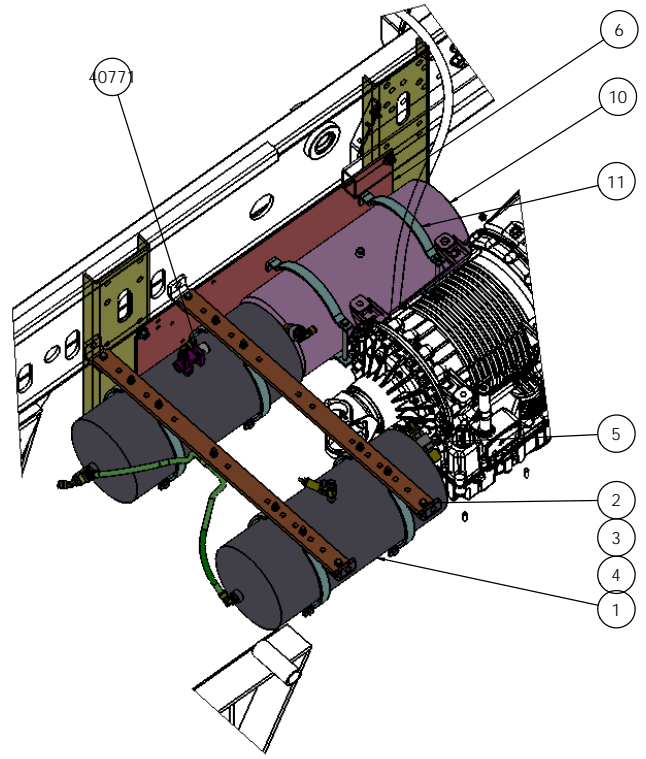
GOVERNOR D-2



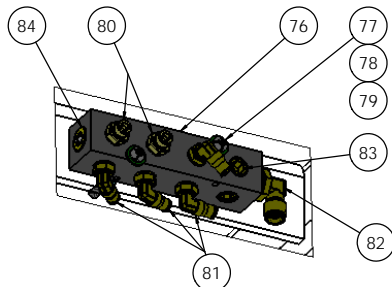
BRAKE PEDAL



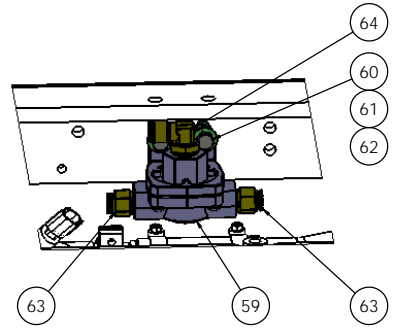
SUPPLY/DELIVERY MANIFOLDS



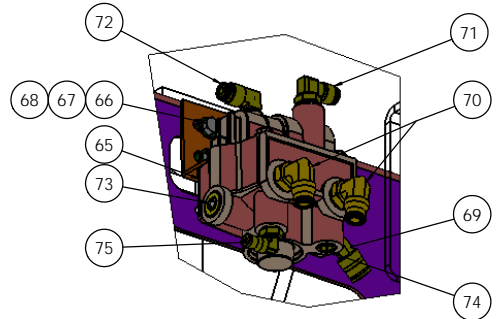
AIR TANK ASSEMBLY



ACCESSORY AIR MANIFOLD ASSEMBLY



VALVE-BRAKE QUICK RELEASE QR-1

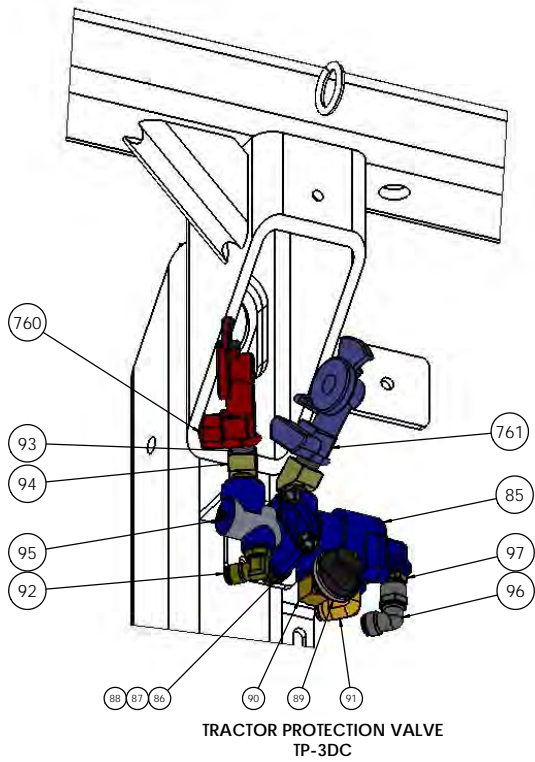


BOBTAIL PROPORTIONING VALVE BP-R1 W/BACKET

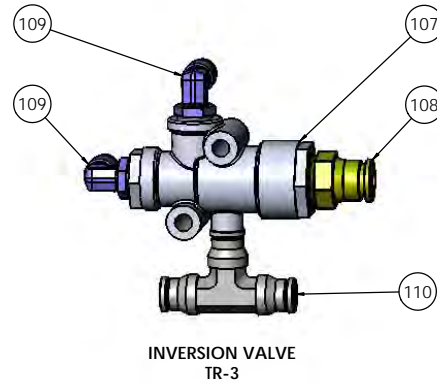
REV	DATE	BY	CHKD	APP'D
1	1/18/2018			

DIMENSIONS ARE IN INCHES TOLERANCES UNLESS NOTED: FINISH: 1/8 DIA 1/16 DIA 1/32 DIA 1/64 DIA ANGULAR: 1/2° FACED: 1/16"	CHECKED SCALE DRAWING: THE DRAWING PARTS SHOWN AND DESCRIBED IN THE DRAWING ARE THE PROPERTY OF WILCOX AND COMPANY, INC. ALL RIGHTS ARE RESERVED. NO PARTS OR INFORMATION FROM THIS DRAWING ARE TO BE REPRODUCED OR TRANSMITTED IN ANY FORM OR BY ANY MEANS, ELECTRONIC OR MECHANICAL, INCLUDING PHOTOCOPYING, RECORDING, OR BY ANY INFORMATION STORAGE AND RETRIEVAL SYSTEM.	TITLE: AIR SYSTEM SIZE: DWG. NO. 721930-A1 REV: D
--	--	---

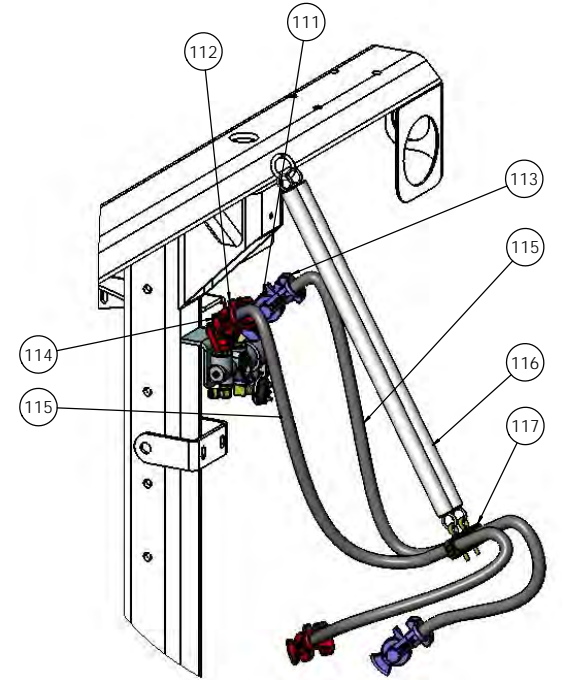
SCALE: 1:32 WEIGHT: 7830.2 SHEET 2 OF 4



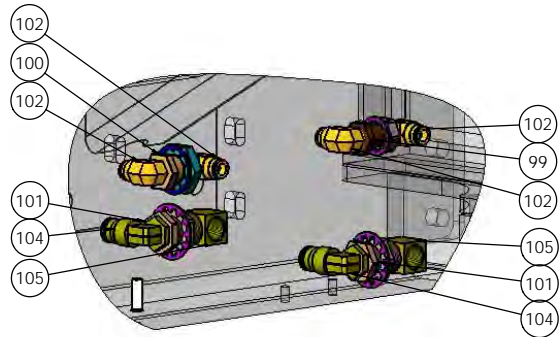
TRACTOR PROTECTION VALVE
TP-3DC



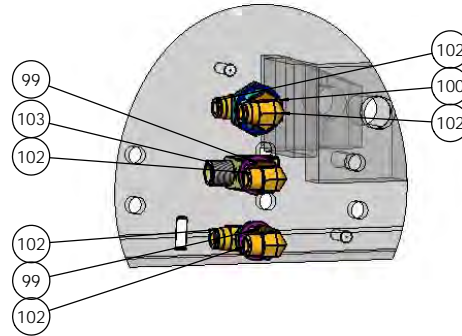
INVERSION VALVE
TR-3



GLADHANDS AND HOSES



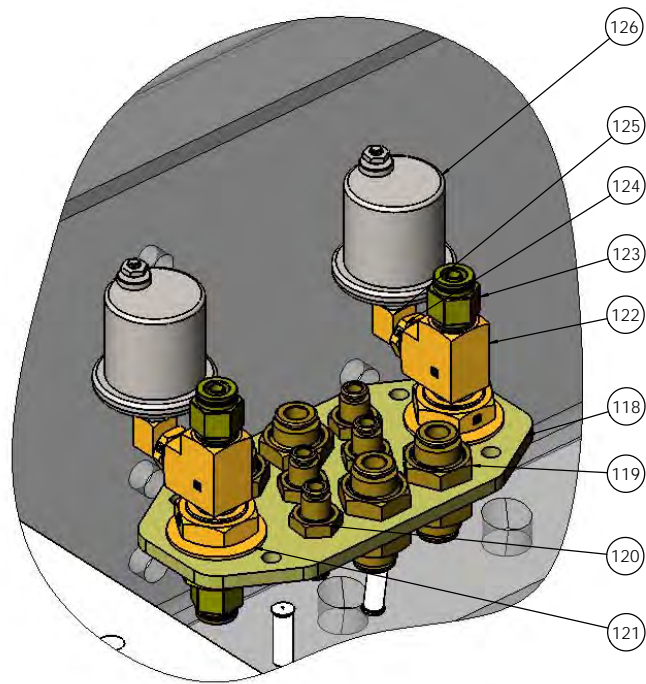
LEFT RAIL BULKHEAD FITTINGS



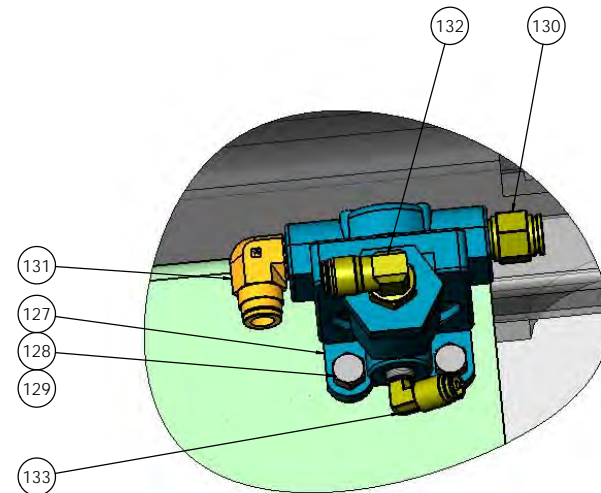
RIGHT RAIL BULKHEAD FITTINGS

REV	DATE	BY	CHKD	APP'D	DESCRIPTION
1	1/18/2018				ISSUED FOR MANUFACTURE

DIMENSIONS ARE IN INCHES DECIMALS FRACTIONS ANGLES TOLERANCES UNLESS OTHERWISE SPECIFIED FINISHES SURF. TEXTURE SEE NOTE FINISH	THE DIMENSIONS SHOWN AND TOLERANCES ARE TO BE MAINTAINED THROUGHOUT THE MANUFACTURE AND ASSEMBLY OF THIS PRODUCT AND ALL RIGHTS TO ANY PATENTS, TRADEMARKS, OR OTHER INTELLECTUAL PROPERTY RIGHTS ARE RESERVED BY WABCO.	TITLE: AIR SYSTEM
SCALE: 1:32	WEIGHT: 7830.25	SHEET 3 OF 4



BULKHEAD PLATE ASSEMBLY



VALVE QUICK RELEASE QR-1C

REFERENCES ARE IN INCHES	UNITS	DATE	TICO/TERMINAL SERVICE
TOLERANCES UNLESS OTHERWISE SPECIFIED:	FRAMES	11/16/2017	601 CYPRUS ROAD DR. ROCKLAND, SC 29508 (843) 717-2226
FRACTIONS	CHECKED		
DECIMALS	APPROVED		
ANGULAR	NOTED SCALE CHANGES		
FUNCTIONS			
REVISIONS:	DATE	DESCRIPTION	
1		ISSUED FOR MANUFACTURE	
2		REVISIONS TO THE DRAWING AND PARTS LIST	
3		REVISIONS TO THE DRAWING AND PARTS LIST	
4		REVISIONS TO THE DRAWING AND PARTS LIST	
5		REVISIONS TO THE DRAWING AND PARTS LIST	
6		REVISIONS TO THE DRAWING AND PARTS LIST	
7		REVISIONS TO THE DRAWING AND PARTS LIST	
8		REVISIONS TO THE DRAWING AND PARTS LIST	
9		REVISIONS TO THE DRAWING AND PARTS LIST	
10		REVISIONS TO THE DRAWING AND PARTS LIST	
11		REVISIONS TO THE DRAWING AND PARTS LIST	
12		REVISIONS TO THE DRAWING AND PARTS LIST	
13		REVISIONS TO THE DRAWING AND PARTS LIST	
14		REVISIONS TO THE DRAWING AND PARTS LIST	
15		REVISIONS TO THE DRAWING AND PARTS LIST	
16		REVISIONS TO THE DRAWING AND PARTS LIST	
17		REVISIONS TO THE DRAWING AND PARTS LIST	
18		REVISIONS TO THE DRAWING AND PARTS LIST	
19		REVISIONS TO THE DRAWING AND PARTS LIST	
20		REVISIONS TO THE DRAWING AND PARTS LIST	
21		REVISIONS TO THE DRAWING AND PARTS LIST	
22		REVISIONS TO THE DRAWING AND PARTS LIST	
23		REVISIONS TO THE DRAWING AND PARTS LIST	
24		REVISIONS TO THE DRAWING AND PARTS LIST	
25		REVISIONS TO THE DRAWING AND PARTS LIST	
26		REVISIONS TO THE DRAWING AND PARTS LIST	
27		REVISIONS TO THE DRAWING AND PARTS LIST	
28		REVISIONS TO THE DRAWING AND PARTS LIST	
29		REVISIONS TO THE DRAWING AND PARTS LIST	
30		REVISIONS TO THE DRAWING AND PARTS LIST	
31		REVISIONS TO THE DRAWING AND PARTS LIST	
32		REVISIONS TO THE DRAWING AND PARTS LIST	
33		REVISIONS TO THE DRAWING AND PARTS LIST	
34		REVISIONS TO THE DRAWING AND PARTS LIST	
35		REVISIONS TO THE DRAWING AND PARTS LIST	
36		REVISIONS TO THE DRAWING AND PARTS LIST	
37		REVISIONS TO THE DRAWING AND PARTS LIST	
38		REVISIONS TO THE DRAWING AND PARTS LIST	
39		REVISIONS TO THE DRAWING AND PARTS LIST	
40		REVISIONS TO THE DRAWING AND PARTS LIST	
41		REVISIONS TO THE DRAWING AND PARTS LIST	
42		REVISIONS TO THE DRAWING AND PARTS LIST	
43		REVISIONS TO THE DRAWING AND PARTS LIST	
44		REVISIONS TO THE DRAWING AND PARTS LIST	
45		REVISIONS TO THE DRAWING AND PARTS LIST	
46		REVISIONS TO THE DRAWING AND PARTS LIST	
47		REVISIONS TO THE DRAWING AND PARTS LIST	
48		REVISIONS TO THE DRAWING AND PARTS LIST	
49		REVISIONS TO THE DRAWING AND PARTS LIST	
50		REVISIONS TO THE DRAWING AND PARTS LIST	
51		REVISIONS TO THE DRAWING AND PARTS LIST	
52		REVISIONS TO THE DRAWING AND PARTS LIST	
53		REVISIONS TO THE DRAWING AND PARTS LIST	
54		REVISIONS TO THE DRAWING AND PARTS LIST	
55		REVISIONS TO THE DRAWING AND PARTS LIST	
56		REVISIONS TO THE DRAWING AND PARTS LIST	
57		REVISIONS TO THE DRAWING AND PARTS LIST	
58		REVISIONS TO THE DRAWING AND PARTS LIST	
59		REVISIONS TO THE DRAWING AND PARTS LIST	
60		REVISIONS TO THE DRAWING AND PARTS LIST	
61		REVISIONS TO THE DRAWING AND PARTS LIST	
62		REVISIONS TO THE DRAWING AND PARTS LIST	
63		REVISIONS TO THE DRAWING AND PARTS LIST	
64		REVISIONS TO THE DRAWING AND PARTS LIST	
65		REVISIONS TO THE DRAWING AND PARTS LIST	
66		REVISIONS TO THE DRAWING AND PARTS LIST	
67		REVISIONS TO THE DRAWING AND PARTS LIST	
68		REVISIONS TO THE DRAWING AND PARTS LIST	
69		REVISIONS TO THE DRAWING AND PARTS LIST	
70		REVISIONS TO THE DRAWING AND PARTS LIST	
71		REVISIONS TO THE DRAWING AND PARTS LIST	
72		REVISIONS TO THE DRAWING AND PARTS LIST	
73		REVISIONS TO THE DRAWING AND PARTS LIST	
74		REVISIONS TO THE DRAWING AND PARTS LIST	
75		REVISIONS TO THE DRAWING AND PARTS LIST	
76		REVISIONS TO THE DRAWING AND PARTS LIST	
77		REVISIONS TO THE DRAWING AND PARTS LIST	
78		REVISIONS TO THE DRAWING AND PARTS LIST	
79		REVISIONS TO THE DRAWING AND PARTS LIST	
80		REVISIONS TO THE DRAWING AND PARTS LIST	
81		REVISIONS TO THE DRAWING AND PARTS LIST	
82		REVISIONS TO THE DRAWING AND PARTS LIST	
83		REVISIONS TO THE DRAWING AND PARTS LIST	
84		REVISIONS TO THE DRAWING AND PARTS LIST	
85		REVISIONS TO THE DRAWING AND PARTS LIST	
86		REVISIONS TO THE DRAWING AND PARTS LIST	
87		REVISIONS TO THE DRAWING AND PARTS LIST	
88		REVISIONS TO THE DRAWING AND PARTS LIST	
89		REVISIONS TO THE DRAWING AND PARTS LIST	
90		REVISIONS TO THE DRAWING AND PARTS LIST	
91		REVISIONS TO THE DRAWING AND PARTS LIST	
92		REVISIONS TO THE DRAWING AND PARTS LIST	
93		REVISIONS TO THE DRAWING AND PARTS LIST	
94		REVISIONS TO THE DRAWING AND PARTS LIST	
95		REVISIONS TO THE DRAWING AND PARTS LIST	
96		REVISIONS TO THE DRAWING AND PARTS LIST	
97		REVISIONS TO THE DRAWING AND PARTS LIST	
98		REVISIONS TO THE DRAWING AND PARTS LIST	
99		REVISIONS TO THE DRAWING AND PARTS LIST	
100		REVISIONS TO THE DRAWING AND PARTS LIST	

SCALE: 1:32	WEIGHT: 6266.72	REV: 4
SIZE: D	DWG. NO: 721930-A1	REV: 4
TITLE: AIR SYSTEM		

TICO PRO-SPOTTER				
AIR SYSTEM, 2017-III, DOT-121, 3 TANKS				721930
ITEM	PART #	QTY/M	DESCRIPTION	
	721930-A1	REF	AIR SYSTEM, 2017-III, DOT-121, 3 TANKS	
	620885	REF	AIR SCHEMATIC, 2017 CAB-III, ON-ROAD, DOLLY & MAGNETIC SWEEPER OPTION	
1	42087	1	ASSEMBLY, AIR TANK, TWO TANKS	
2	82394	4	BOLT, HEX 3/8" - 16 x 1 1/2" Lg	
3	85102	8	WASHER, FLAT 3/8"	
4	85025	4	LOCKNUT, 3/8" - 16 NYLOK	
5	40029-1	2	CHECK VALVE, AIR TANK	
	71523	REF	3rd AIR RESERVOIR	
6	12336	1	PLATE, RESERVOIR MOUNTING	
7	82385	4	BOLT, HEX 1/2-13 x 1 1/4 Lg	
8	85115	8	WASHER, FLAT 1/2	
9	85027	4	LOCKNUT, 1/2-13	
10	10032	1	RESERVOIR, AIR	
11	40393-1	4	BRACKET, AIR RESERVOIR MOUNT	
12	42064	2	ELBOW, BRASS 90° 1/2 TUBE to 1/2 NPT	
13	40029-1	1	CHECK VALVE, AIR TANK	
14	60023	1	GOVERNOR, D2	
15	80308	2	CAPSCREW, M8 x 1.25 x 70 LG	
16	85134	2	LOCKWASHER, 5/16"	
17	40860	1	ADAPTER, 1/8 NPT, 1/4 COMPRESSION, 90	
18	40547	1	VALVE-DUAL BRAKE, E-6	
19	90026	1	TREADLE-BRAKE	
20	82360	3	BOLT, 5/16" x 3/4" Lg	
21	82371	3	BOLT, 5/16" x 1" Lg	
22	40819	2	FITTING, ELBOW, 90°, BRASS, 1/2 TUBE X 3/8 NPT	
23	42187	2	FITTING, STR, BRASS, 1/2 TUBE X 3/8 NPT	
24	11041	4	FITTING, PLUG, 3/8 NPT	
25	42260	1	FITTING, REDUCER BUSHING, BRASS, 3/8 NPT X 1/8NPT	
26	91236	1	SWITCH, DUAL CIRCUIT NO-NC 4 PSI SET PRESS	
27	122130	1	MANIFOLD-SUPPLY REAR, 2 x 1/2" NPT, 2 x 3/8" NPT	
28	80323	2	SCREW, PAN HD, #10-32 x 2 Lg, SS	
29	80232	4	WASHER, FLAT, SAE, #10, SS	
30	800424	2	NUT, #10-32, NYLOK, SS	
31	40822	1	FITTING, ELBOW, 45°, BRASS, 1/2 TUBE X 1/2 NPT	
32	40822	1	FITTING, ELBOW, 45°, BRASS, 1/2 TUBE X 1/2 NPT	
33	40823	1	FITTING, ELBOW, 90°, BRASS, 3/8 TUBE X 3/8 NPT	
34	11041	1	FITTING, PLUG, 3/8 NPT	
REV	DATE	BY		SHEET
A	1/19/2018	MAL		1 OF 1
TICO MANUFACTURING - RIDGELAND, SC 29936				

TICO PRO-SPOTTER				
AIR SYSTEM, 2017-III, DOT-121, 3 TANKS				721930
ITEM	PART #	QTY/M	DESCRIPTION	
35	122130	1	MANIFOLD-SUPPLY FRONT, 2 x 1/2" NPT, 2 x 3/8" NPT	
36	80323	2	SCREW, PAN HD, #10-32 x 2 Lg, SS	
37	80232	4	WASHER, FLAT, SAE, #10, SS	
38	800424	2	NUT, #10-32, NYLOK, SS	
39	40830	1	FITTING, ELBOW, 45°, BRASS, 5/8 TUBE X 1/2 NPT	
40	42265	1	FITTING, ELBOW, 90°, BRASS, 1/2 TUBE X 1/2 NPT	
41	40823	1	FITTING, ELBOW, 90°, BRASS, 3/8 TUBE X 3/8 NPT	
42	11041	1	FITTING, PLUG, 3/8 NPT	
43	122130	1	MANIFOLD-DELIVERY REAR, 2 x 1/2" NPT, 2 x 3/8" NPT	
44	80323	2	SCREW, PAN HD, #10-32 x 2 Lg, SS	
45	80232	4	WASHER, FLAT, SAE, #10, SS	
46	800424	2	NUT, #10-32, NYLOK, SS	
47	42119	1	FITTING, ELBOW, 45°, BRASS, 3/8 TUBE X 1/2 NPT	
48	42265	1	FITTING, ELBOW, 90°, BRASS, 1/2 TUBE X 1/2 NPT	
49	40823	1	FITTING, ELBOW, 90°, BRASS, 3/8 TUBE X 3/8 NPT	
50	11041	1	FITTING, PLUG, 3/8 NPT	
51	122130	1	MANIFOLD-DELIVERY FRONT, 2 x 1/2" NPT, 2 x 3/8" NPT	
52	80323	2	SCREW, PAN HD, #10-32 x 2 Lg, SS	
53	80232	4	WASHER, FLAT, SAE, #10, SS	
54	800424	2	NUT, #10-32, NYLOK, SS	
55	40822	1	FITTING, ELBOW, 45°, BRASS, 1/2 TUBE X 1/2 NPT	
56	42265	1	FITTING, ELBOW, 90°, BRASS, 1/2 TUBE X 1/2 NPT	
57	40823	1	FITTING, ELBOW, 90°, BRASS, 3/8 TUBE X 3/8 NPT	
58	11041	1	FITTING, PLUG, 3/8 NPT	
59	40550	1	VALVE-BRAKE QUICK RELEASE QR-1	
60	81546	2	CAPSCREW-5/16-18NC X 1 1/4LG	
61	85101	2	WASHER, FLAT5/16	
62	85024	2	LOCKNUT, 5/16-18 NYLOK	
63	40864	2	FITTING, STR BRASS 3/8 TUBE, 3/8NPT	
64	42064	1	FITTING, ELBOW 90°, BRASS 1/2 TUBE, 1/2NPT	
65	40572	1	VALVE-BOBTAIL/PROPORTIONING BP-R1 W/BACKET	
66	81535	2	BOLT-5/16 X 1	
67	85090	4	WASHER-5/16	
68	85035	2	NUT-5/16	
69	40822	1	FITTING, ELBOW 45°, BRASS, 1/2 TUBE X 1/2 NPT	
70	42265	2	FITTING, ELBOW 90°, BRASS 1/2 TUBE to 1/2 NPT, SWIVEL	
71	42063	1	FITTING, ELBOW 90°, BRASS, 3/8 TUBE to 1/4 NPT	
72	42112	1	FITTING, ELBOW 90°, BRASS, 3/8 TUBE to 1/8 NPT	
73	80163	1	FITTING, PLUG ALLEN, BRASS 1/2" NPT	
REV	DATE	BY		SHEET
A	1/19/2018	MAL		

TICO PRO-SPOTTER				
AIR SYSTEM, 2017-III, DOT-121, 3 TANKS				721930
ITEM	PART #	QTY/M	DESCRIPTION	
74	40841	1	FITTING, PLUG ALLEN, BRASS 3/8" NPT	
75	40840	1	FITTING, ELBOW 90°, BRASS, 3/8 TUBE to 1/8 NPT	
76	10949	1	MANIFOLD-ACCESSORY AIR	
77	82459	2	CAPSCEW-5/16-18 X 3 LG HEX HD	
78	80232	2	WASHER-5/16	
79	80209	2	LOCKNUT-5/16	
80	40833	2	FITTING, ADAPTER STR, BRASS, 1/4" TUBE X 3/8" NPT	
81	40887	4	FITTING, ELBOW 90°, BRASS, 1/4" TUBE X 3/8" NPT, SWIVEL	
82	42064	1	FITTING, ELBOW 90°, BRASS, 1/2" TUBE X 1/2" NPT, SWIVEL	
83	40841	2	PLUG, HEX SOCKET HD 3/8" NPT	
84	80163	1	PLUG, HEX SOCKET HD 1/2" NPT	
85	40635	1	VALVE-TRACTOR PROTECTION TP-3DC	
86	82459	2	BOLT, 5/16-18 X 3 LG	
87	85090	4	WASHER, FLAT 5/16	
88	85024	2	LOCKNUT, 5/16-18 NYLOK	
89	90078	1	SWITCH-PRESSURE, STOP LIGHT, BENDIX SL-5	
90	42208	1	FITTING, STREET 90°, BRASS, 3/8 X 1/4	
91	40823	1	FITTING, ELBOW 90°, BRASS, 3/8 TUBE X 3/8NPT	
92	42063	1	FITTING, ELBOW 90°, BRASS, 3/8 TUBE X 1/4NPT	
93	40799	2	FITTING, CLOSE NIPPLE BRASS, 1/2 NPT	
94	40899	2	FITTING, STREET ELBOW 45° BRASS, 1/2 NPT	
95	40858	1	PLUG, 1/8 NPT, ALLEN HD	
96	42240	1	ELBOW 90 DEG 3/8 FEM PIPE TO 3/8 PUSH TO CONNECT	
97	40906	1	NIPPLE, BRASS HEX-3/8	
98	90295	1	VALVE, AIR REGULATOR	
NOT SHOWN	82370	2	BOLT, HEX 1/4-20 X 1 Lg	
NOT SHOWN	85111	4	WASHER, FLAT 3/8	
NOT SHOWN	85034	2	LOCKNUT, 3/8-16	
99	40829	2	FITTING, BULKHHD, BRASS, 1/4 NPT LONG	
100	40827	4	FITTING, BULKHHD, BRASS, 3/8 NPT	
101	42088	2	FITTING, BULKHHD, BRASS, 1/2 NPT	
102	40823	8	FITTING, ELBOW 90°, BRASS, 3/8 TUBE X 3/8 NPT	
103	40848	1	FITTING, STREET TEE, BRASS, 1/2 NPT	
104	40878	2	FITTING, ELBOW 90°, BRASS, 5/8 TUBE X 1/2 NPT	
105	40817	2	FITTING, STREE ELBOW 90°, BRASS, 1/2 NPT	
106	62253	1	BRACKET- HOSE GUIDE	
REV	DATE	BY		SHEET
A	1/19/2018	MAL		3 OF

TICO PRO-SPOTTER				
AIR SYSTEM, 2017-III, DOT-121, 3 TANKS				721930
ITEM	PART #	QTY/M	DESCRIPTION	
107	91966	1	VALVE-INVERSION TR-3	
108	40885	1	FITTING, ELBOW 90° BRASS, 3/8 TUBE X 1/8 NPT, SWIVEL	
109	40861	2	FITTING, ELBOW 90° BRASS, 1/4 TUBE X 1/4 NP, SWIVEL	
110	42273	1	FITTING - UNION TEE, BRASS, 3/8" TUBE	
111	91817	1	GLADHAND - BLUE, STA-LOCK	
112	91816	1	GLADHAND - RED, STA-LOCK	
113	50038-1	2	GLADHAND - BLUE	
114	50039-1	2	GLADHAND - RED	
115	50303	2	HOSE ASSY - TRAILER AIR, 3/8 X 15 FT	
116	10356	2	SPRING	
117	920285	1	CLAMP, TRAILER HOSE 3 CAVITY	
NOT SHOWN	40817	2	FITTING, STREET ELBOW 90° BRASS, 1/2 NPT	
NOT SHOWN	40687	2	HOSE ASSY -FRONT BRAKE CHAMBER	
NOT SHOWN	62253	1	BRACKET - HOSE GUIDE	
NOT SHOWN	80405	2	EYEBOLT, 3/8 -16, 1 1/4 LG	
NOT SHOWN	85091	4	WASHER, 3/8 FLAT	
NOT SHOWN	85014	2	NUT, 3/8 - 16, NYLOCK	
NOT SHOWN	40771	1	VALVE-PRESSURE PROTECTION 70 PSI	
118	122136	1	BULKHEAD PLATE FOR AIR FITTINGS, 2017-II	
119	420319	4	FITTING, BULKHD, BRASS, 3/8 TUBE, PUSH TO CONNECT	
120	420318	4	FITTING, BULKHD, BRASS, 1/4 TUBE, PUSH TO CONNECT	
121	40827	2	FITTING, BULKHD, BRASS, 3/8 NPT	
122	40821	2	FITTING, STREET TEE, BRASS, 3/8 NPT	
123	40864	4	FITTING, STR, BRASS, 3/8 TUBE X 3/8 NPT	
124	42260	2	FITTING, REDUCER, 3/8 NPT X 1/8 NPT	
125	420385	2	FITTING, STREET ELBOW 90°, BRASS, 1/8 NPT	
126	910607	2	SENDER - PRESSURE, 150 PSI, 23-240 OHMS, 2-STUDS	
127	10592	1	VALVE-BRAKE QUICK RELEASE QR-1C	
128	81546	2	CAPSCREW-5/16-18NC X 1 1/4LG	
129	85024	2	LOCKNUT-5/16	
130	40864	1	FITTING-STR BRASS 3/8 TUBE X 3/8 NPT	
131	40823	1	FITTING-90° BRASS 3/8 TUBE X 3/8 NPT	
132	42063	1	FITTING-90° BRASS 3/8 TUBE X 1/4 NPT	
133	40857	1	FITTING-90° BRASS 1/4 TUBE X 1/4 NPT	
REV	DATE	BY		SHEET
A	1/19/2018	MAL		4 OF 4
TICO MANUFACTURING - RIDGELAND, SC 29936				