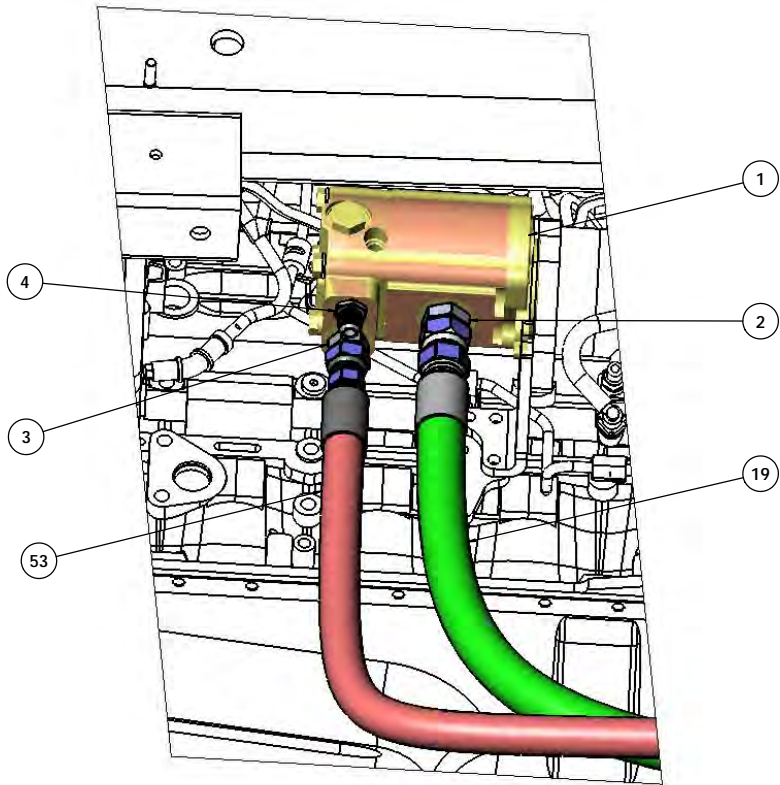


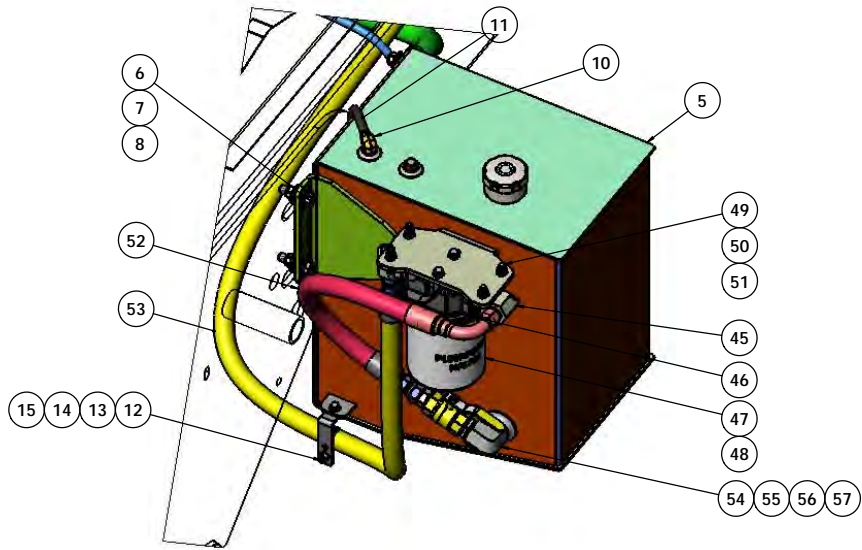
HYDRAULIC SYSTEM, QSBIV-ISB, 2017-III CAB  
 PAGE 1 OVERVIEW  
 PAGE 2 PUMP & HYDRAULIC TANK  
 PAGE 3 DIRECTION CONTROL & BOOM  
 PAGE 4-6 PARTSLIST

DIMENSIONS ARE IN INCHES		NAME	DATE
TOLERANCES:		DRAMAN	5/15/2018
DECIMAL:		CHECKED	
FRACTIONAL:		APPROVED	
ANGULAR:		DOTTED SCALE DRAWING	
FRACTIONAL:		THE SUBJECT MATTER SHOWN AND DESCRIBED IN THE DRAWING AND ANY OTHER INFORMATION CONTAINED HEREIN IS THE PROPERTY OF WCB AND IS TO BE USED ONLY FOR THE PURPOSES SPECIFIED HEREIN. ALL RIGHTS TO ANY PATENTS, TRADEMARKS, OR OTHER INTELLECTUAL PROPERTY ARE RESERVED TO WCB. THIS DRAWING IS NOT TO BE REPRODUCED OR TRANSMITTED IN ANY FORM OR BY ANY MEANS, ELECTRONIC OR MECHANICAL, INCLUDING PHOTOCOPYING, RECORDING, OR BY ANY INFORMATION STORAGE AND RETRIEVAL SYSTEM, WITHOUT PERMISSION IN WRITING FROM WCB.	
SCALE:	1:1	SIZE	DWG. NO.
REV:	1	REV	721897-A1
REVISION:		SCALE:	1:64 [WEIGHT: 5494.35] SHEET 1 OF 3
REVISION:			

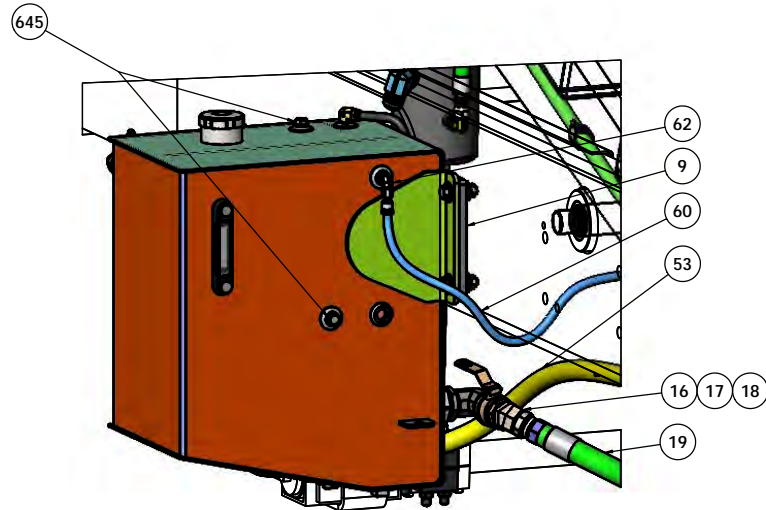
721897-A1  
 D



PUMP VIEW



HYDRAULIC TANK  
REAR VIEW

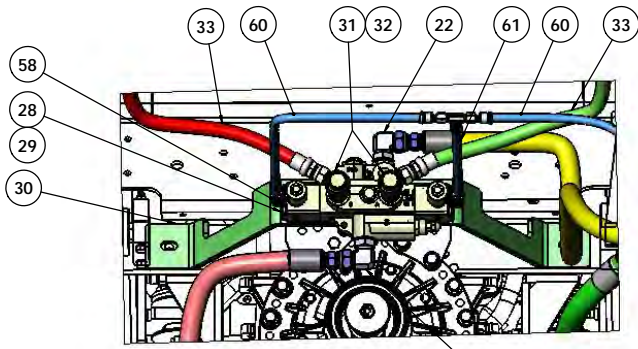


HYDRAULIC TANK  
FRONT VIEW

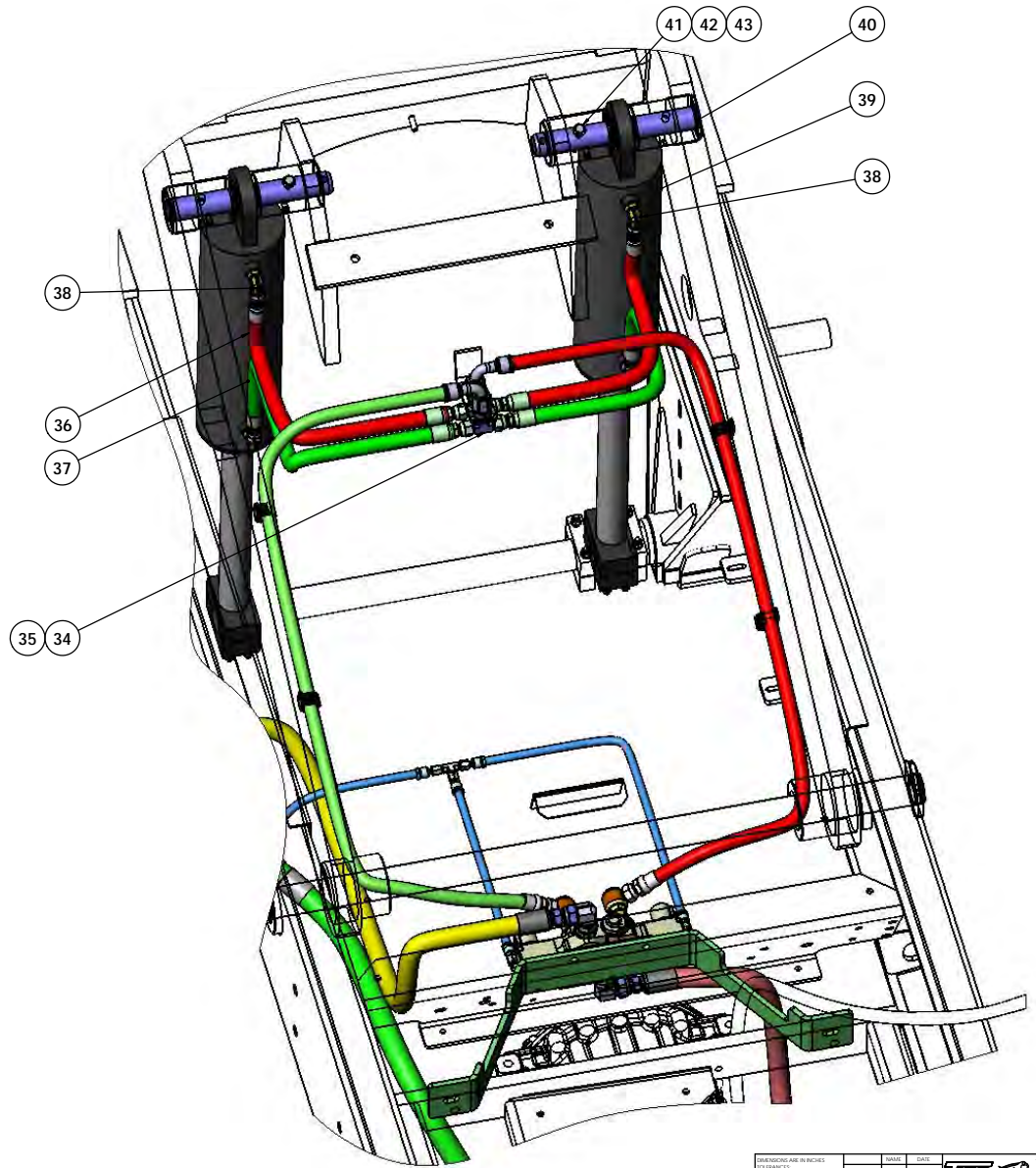
REFERENCES ARE IN INCHES	UNITS	DATE	TCO/TERMINAL SERVICE
TOLERANCES UNLESS OTHERWISE SPECIFIED	DRAWN	SCALE	AS CYRUS ROGUE DR. RICKLAND, SC 29584 (843) 717-2226
FRACTIONAL	CHECKED	5/15/2018	
DECIMAL	APPROVED		
ANGULAR			
RADIATIONAL			
UNLESS OTHERWISE SPECIFIED	DO NOT SCALE DRAWING		
ALL DIMENSIONS ARE TO BE TAKEN FROM THE DIMENSIONED SURFACE UNLESS OTHERWISE SPECIFIED	THE DIMENSIONS SHOWN AND LOCATED ON THE DRAWING ARE TO BE TAKEN FROM THE DIMENSIONED SURFACE UNLESS OTHERWISE SPECIFIED		
ALL DIMENSIONS ARE TO BE TAKEN FROM THE DIMENSIONED SURFACE UNLESS OTHERWISE SPECIFIED	ALL DIMENSIONS ARE TO BE TAKEN FROM THE DIMENSIONED SURFACE UNLESS OTHERWISE SPECIFIED		
SEE NOTE	SEE NOTE		
DATE	SCALE	WEIGHT	SHEET 2 OF 3
N/A	1:64	5494.35	

TITLE		HYDRAULIC SYSTEM, 2017-III, 128"WB
SIZE	DWG. NO.	REV
D	721897-A1	

D 721897-A1



DIRECTIONAL CONTROL VALVE



REFERENCES ARE IN FIGURES	DATE	SCALE	REV
DESIGNER: [Name]	DATE: 5/15/2018	SCALE: 1:1	REV: 1
CHECKED: [Name]			
APPROVED: [Name]			
REVISIONS:	DESCRIPTION:	DATE:	BY:
1	REVISED SCHEMATIC		
2	REVISED SCHEMATIC		
3	REVISED SCHEMATIC		
4	REVISED SCHEMATIC		
5	REVISED SCHEMATIC		
6	REVISED SCHEMATIC		
7	REVISED SCHEMATIC		
8	REVISED SCHEMATIC		
9	REVISED SCHEMATIC		
10	REVISED SCHEMATIC		
11	REVISED SCHEMATIC		
12	REVISED SCHEMATIC		
13	REVISED SCHEMATIC		
14	REVISED SCHEMATIC		
15	REVISED SCHEMATIC		
16	REVISED SCHEMATIC		
17	REVISED SCHEMATIC		
18	REVISED SCHEMATIC		
19	REVISED SCHEMATIC		
20	REVISED SCHEMATIC		
21	REVISED SCHEMATIC		
22	REVISED SCHEMATIC		
23	REVISED SCHEMATIC		
24	REVISED SCHEMATIC		
25	REVISED SCHEMATIC		
26	REVISED SCHEMATIC		
27	REVISED SCHEMATIC		
28	REVISED SCHEMATIC		
29	REVISED SCHEMATIC		
30	REVISED SCHEMATIC		
31	REVISED SCHEMATIC		
32	REVISED SCHEMATIC		
33	REVISED SCHEMATIC		
34	REVISED SCHEMATIC		
35	REVISED SCHEMATIC		
36	REVISED SCHEMATIC		
37	REVISED SCHEMATIC		
38	REVISED SCHEMATIC		
39	REVISED SCHEMATIC		
40	REVISED SCHEMATIC		
41	REVISED SCHEMATIC		
42	REVISED SCHEMATIC		
43	REVISED SCHEMATIC		
44	REVISED SCHEMATIC		
45	REVISED SCHEMATIC		
46	REVISED SCHEMATIC		
47	REVISED SCHEMATIC		
48	REVISED SCHEMATIC		
49	REVISED SCHEMATIC		
50	REVISED SCHEMATIC		
51	REVISED SCHEMATIC		
52	REVISED SCHEMATIC		
53	REVISED SCHEMATIC		
54	REVISED SCHEMATIC		
55	REVISED SCHEMATIC		
56	REVISED SCHEMATIC		
57	REVISED SCHEMATIC		
58	REVISED SCHEMATIC		
59	REVISED SCHEMATIC		
60	REVISED SCHEMATIC		
61	REVISED SCHEMATIC		
62	REVISED SCHEMATIC		
63	REVISED SCHEMATIC		
64	REVISED SCHEMATIC		
65	REVISED SCHEMATIC		
66	REVISED SCHEMATIC		
67	REVISED SCHEMATIC		
68	REVISED SCHEMATIC		
69	REVISED SCHEMATIC		
70	REVISED SCHEMATIC		
71	REVISED SCHEMATIC		
72	REVISED SCHEMATIC		
73	REVISED SCHEMATIC		
74	REVISED SCHEMATIC		
75	REVISED SCHEMATIC		
76	REVISED SCHEMATIC		
77	REVISED SCHEMATIC		
78	REVISED SCHEMATIC		
79	REVISED SCHEMATIC		
80	REVISED SCHEMATIC		
81	REVISED SCHEMATIC		
82	REVISED SCHEMATIC		
83	REVISED SCHEMATIC		
84	REVISED SCHEMATIC		
85	REVISED SCHEMATIC		
86	REVISED SCHEMATIC		
87	REVISED SCHEMATIC		
88	REVISED SCHEMATIC		
89	REVISED SCHEMATIC		
90	REVISED SCHEMATIC		
91	REVISED SCHEMATIC		
92	REVISED SCHEMATIC		
93	REVISED SCHEMATIC		
94	REVISED SCHEMATIC		
95	REVISED SCHEMATIC		
96	REVISED SCHEMATIC		
97	REVISED SCHEMATIC		
98	REVISED SCHEMATIC		
99	REVISED SCHEMATIC		
100	REVISED SCHEMATIC		

TITLE: HYDRAULIC SYSTEM, 2017-III, 128"WB
   
 SCALE: 1:64 [WEIGHT: 5494.35] SHEET 3 OF 3





