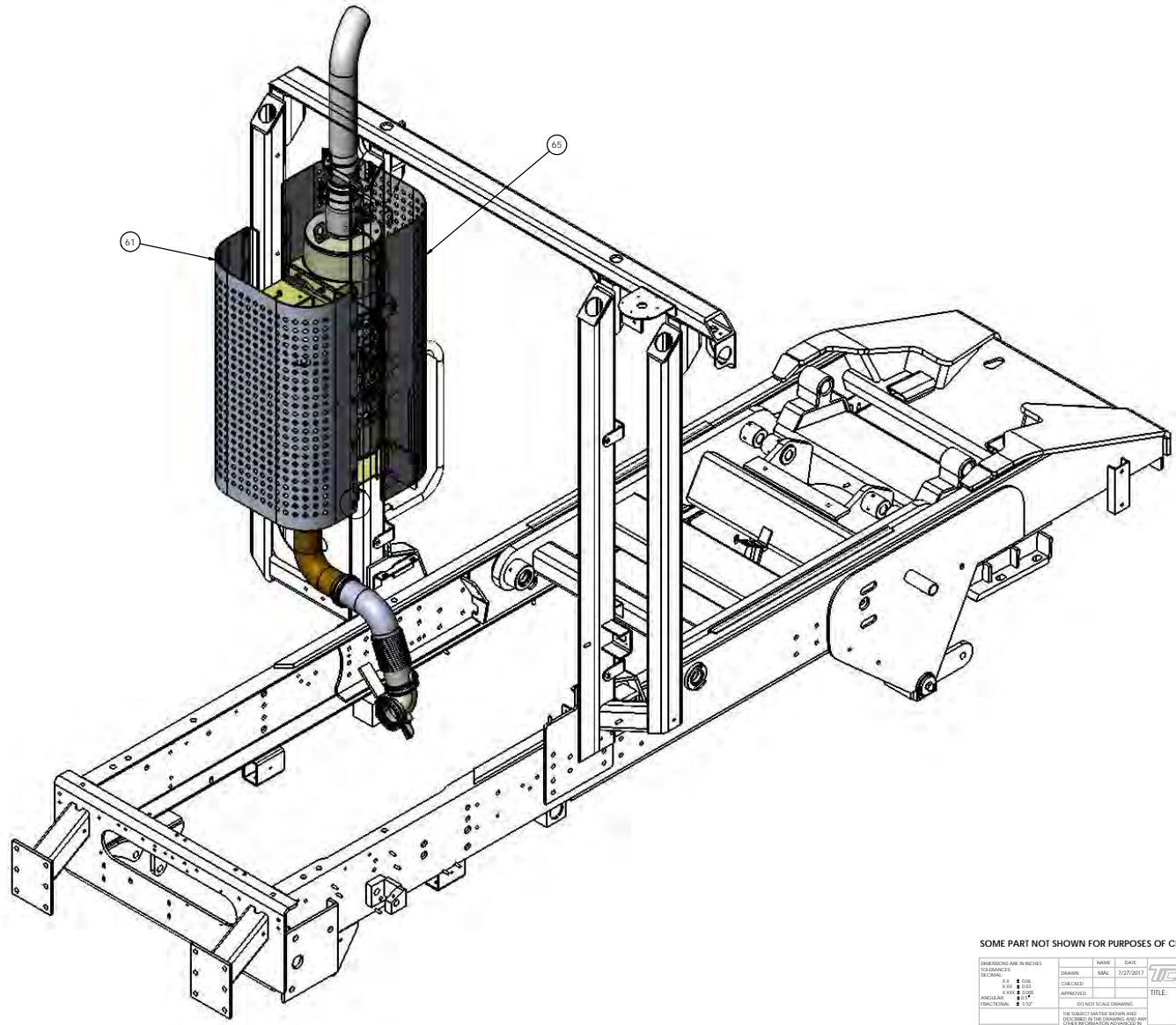


HEAT SHIELD FASTENERS

62  
63  
64



EXHAUST SYSTEM, QSB-IVF  
 PAGE 1 OVERVIEW, EXHAUST  
 HEAT SHIELDS  
 PAGE 2 LOWER TUBES, AND DOC DETAILS  
 PAGE 3 SCR TUBE  
 PAGE 4-6 PARTLIST

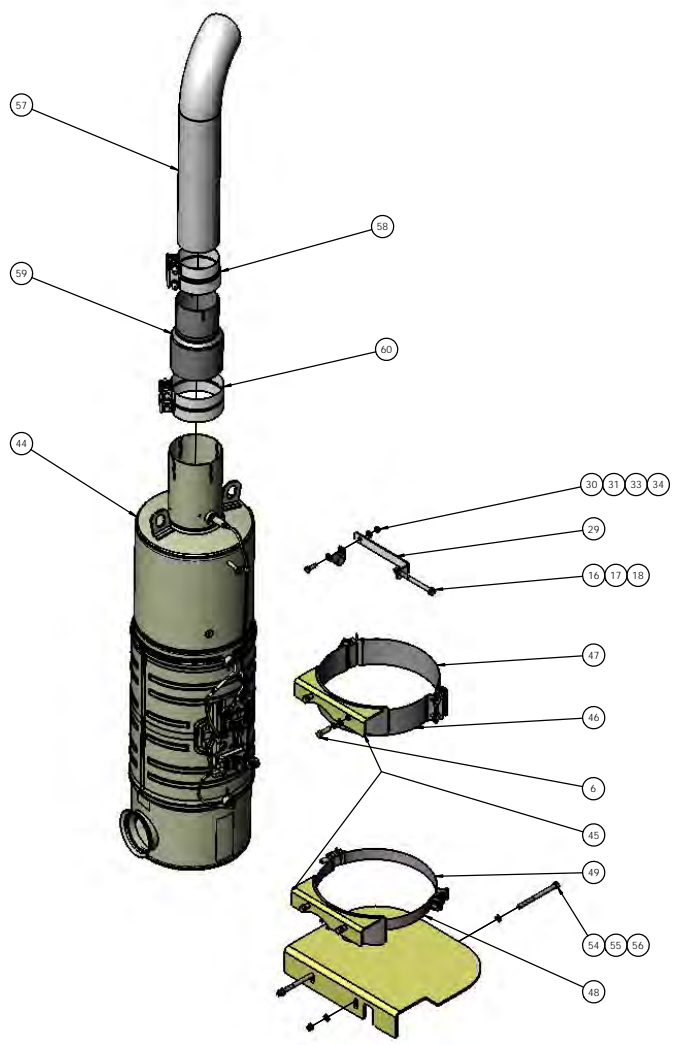
SOME PART NOT SHOWN FOR PURPOSES OF CLARITY

DIMENSIONS ARE IN INCHES TOLERANCES: DECIMAL: .125 & .188 .250 & .312 .375 & .500 ANGULAR: FRACTIONAL: ± 1/2°	NAME: MAL DATE: 1/27/2017 CHECKED: APPROVED: NOTED SCALE DRAWING	TITLE: QSB-IVF EXHAUST SYSTEM SIZE: D DWG. NO.: 721896-A1 REV: 1 SCALE: 1:32 [WEIGHT: 4256.40] SHEET 1 OF 3	WECO MANUFACTURING 86 CYPRESS RIDGE DR. ROCKLAND, NC 27854 (843) 717-2226
--	--	---	--

THE SUBJECT MATTER SHOWN AND DESCRIBED IN THE DRAWING AND ANY OTHER INFORMATION CONTAINED HEREIN IS THE PROPERTY OF WECO MANUFACTURING. ALL RIGHTS TO ANY PATENT, TRADE SECRET, OR OTHER INTELLECTUAL PROPERTY ARE RESERVED TO WECO MANUFACTURING. THIS DRAWING AND ANY INFORMATION CONTAINED HEREIN IS UNCLASSIFIED.

D 721896-A1





SELECTIVE CATALYTIC REDUCTION  
(SCR)

REFERENCES ARE IN FIGURES	SCALE	DATE	 <small>TICO/TERMINAL SERVICE 460 CYPRESS RIDGE DR. ROCKLAND, SC 29726 (843) 717-2226</small>
DESIGNED BY	ISSUED	1/27/2017	
<small>BY: B. BIR CHKD: B. BIR APP: B. BIR</small>	<small>DESIGNED</small>	<small>APPROVED</small>	TITLE
<small>ANGULAR: 10.1° FRACCTIONS: 1/16"</small>	<small>APPROVED</small>	<small>NOTED SCALE CHANGES</small>	EXHAUST SYSTEM, OSB-IVF
<small>REQUIRE GEOMETRIC TOLERANCING SEE NOTE 10 FOR DIMS.</small>	<small>THE DIMENSIONS SHOWN AND DIMENSIONS IN PARENTHESES ARE CONTROL DIMENSIONS. ALL DIMENSIONS ARE UNLESS NOTED OTHERWISE. DIMENSIONS IN PARENTHESSES TAKE PRECEDENCE OVER DIMENSIONS IN FIGURE ALL DIMENSIONS TO UNLESS OTHERWISE NOTED DIMENSIONS ARE TO UNLESS OTHERWISE NOTED DIMENSIONS ARE TO UNLESS OTHERWISE NOTED DIMENSIONS ARE TO UNLESS OTHERWISE NOTED</small>	<small>DATE</small>	<small>SIZE</small> <small>DWG. NO.</small> <small>REV</small>
<small>SEE NOTE</small>	<small>SCALE: 1:32</small> <small>WEIGHT: 1020.8</small> <small>SHEET 3 OF 3</small>	<small>DATE</small>	<small>SIZE</small> <small>DWG. NO.</small> <small>REV</small>
<small>REVISION</small>	<small>SCALE: 1:32</small> <small>WEIGHT: 1020.8</small> <small>SHEET 3 OF 3</small>	<small>DATE</small>	<small>SIZE</small> <small>DWG. NO.</small> <small>REV</small>

TICO PRO-SPOTTER			
EXHAUST SYSTEM, QSB-IV, 65" DOOR			721896
ITEM	PART #	QTY/M	DESCRIPTION
	721896-A1	REF	EXHAUST SYSTEM, QSB-IV, 65" DOOR
1	61744	1	ELBOW - TURBO
2	62308	1	PIPE, TURBO TO JUNCTION EXHAUST FLEX
3	42270	1	FITTING, PLUG, M20X1.5, HEX SOCKET HD
4	40766	2	CLAMP, 4-5/8" STANDARD MARMON V-BAND
5	61762	2	SEAL
6	62351	1	PIPE, JUNCTION TO DOC EXHAUST FLEX
7	40766	1	CLAMP, 4-5/8" STANDARD MARMON V-BAND (PIPE TO DPF)
8	61762	1	SEAL (PIPE TO DPF)
9	62352	1	DOC, DIESEL OXIDATION CATALYST (P/N SHOWN ON ENGINE)
10	121360	2	WELDMENT, BRACKET, DPF, ISB 2016
11	420317	4	CLAMP, 5" BAND SS EXHAUST
12	82383	4	BOLT, 3/8"-16 x 1-1/4" Lg HEX (CLAMP TO CAB BAR)
13	85091	4	WASHER, 3/8" HRDN (CLAMP TO CAB BAR)
14	85135	4	LOCKWASHER, 3/8-16 (CLAMP TO CAB BAR)
15	120013	1	BRACKET, TIER 4 FINAL LOW HP DOC LOWER SUPPORT
16	82548	1	BOLT, 3/8"-16 x 5" Lg HEX
17	85091	2	WASHER, 3/8" HRDN
18	85025	1	NUT, 3/8"-16 NYLOK
19	62355	1	ELBOW, 4" SPHERICAL FLARE TO 4" SPHERICAL FLANGE (DOC TO DRT)
20	62330	1	CLAMP, 4" SPHERICAL MARMON V-BAND (DOC TO ELBOW)
21	62331	1	GASKET, 4" SPHERICAL MARMON (DOC TO ELBOW)
22	62330	1	CLAMP, 4" SPHERICAL MARMON V-BAND (ELBOW TO DRT)
23	62331	1	GASKET, 4" SPHERICAL MARMON (ELBOW TO DRT)
24	120012	1	BRACKET, DRT MOUNT
25	42243	1	CLAMP, 4-1/2" MUFFLER
26	82394	2	BOLT, 3/8"-16 x 1-1/2" Lg HEX
27	85091	4	WASHER, 3/8" HRDN
28	85025	2	NUT, 3/8"-16 NYLOK
29	62260	1	BRACKET, 1" x 1-3/4" x 7-1/2" STANDOFF
30	40593	1	P-CLAMP, 1" I.D.
31	82382	1	BOLT, 5/16"-18 x 1-1/4" Lg HEX
32	82371	1	BOLT, 5/16"-18 x 1" Lg HEX
33	85090	4	WASHER, 5/16" HRDN
34	85024	2	NUT, 5/16"-18 NYLOK
REV	DATE	BY	SHEET
A	7/21/2017	MAL	1 OF 3



