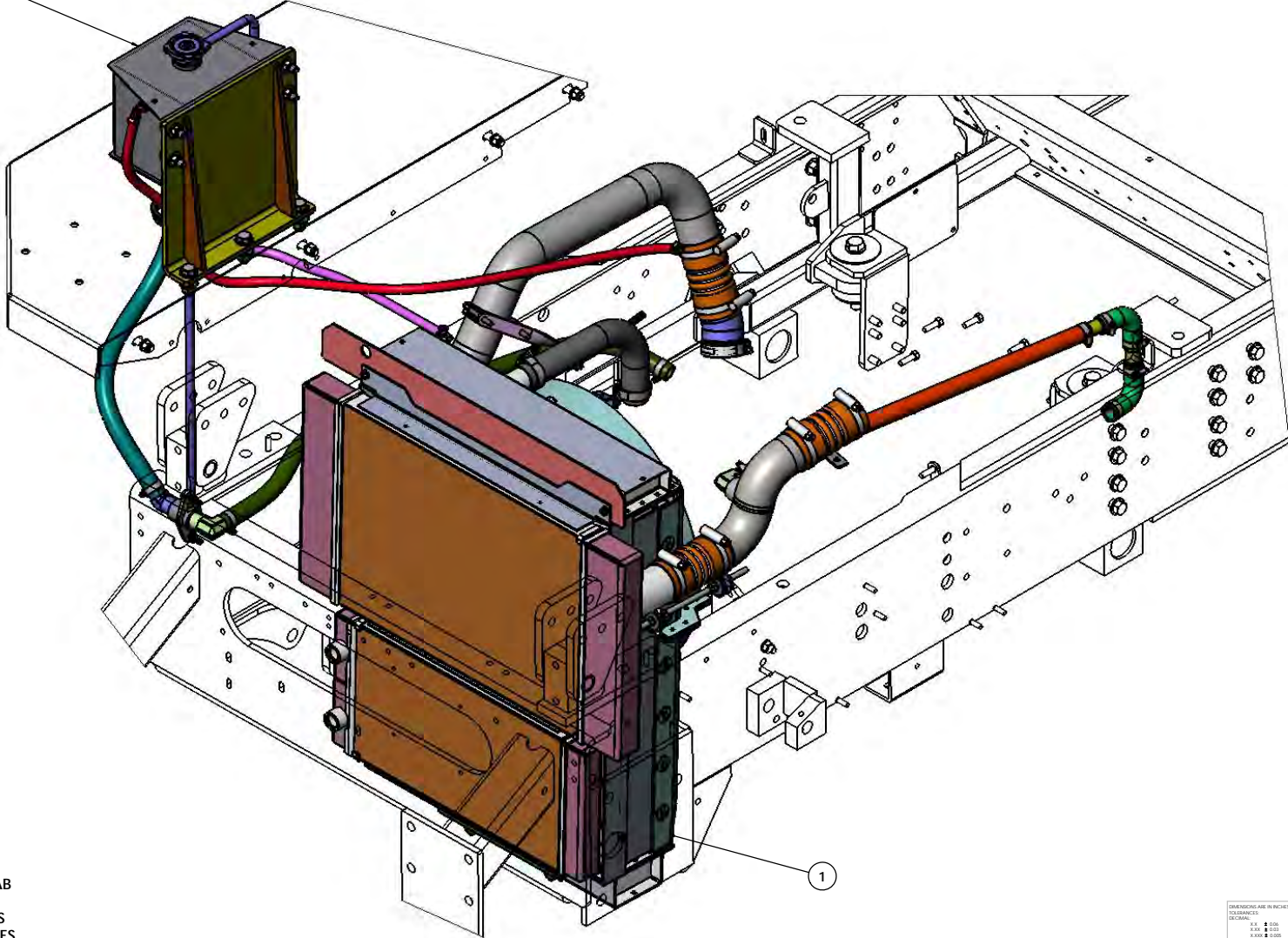


31

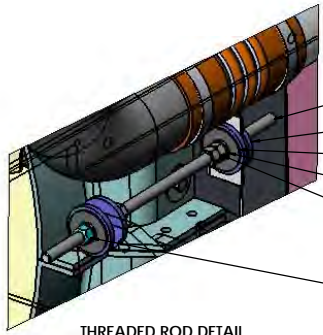


COOLING SYSTEM, 2017-III CAB
 PAGE 1 GENERAL OVERVIEW
 PAGE 2 RADIATOR AND TUBES
 PAGE 3 SURGE TANK AND HOSES
 PAGE 4-6 PART LISTS

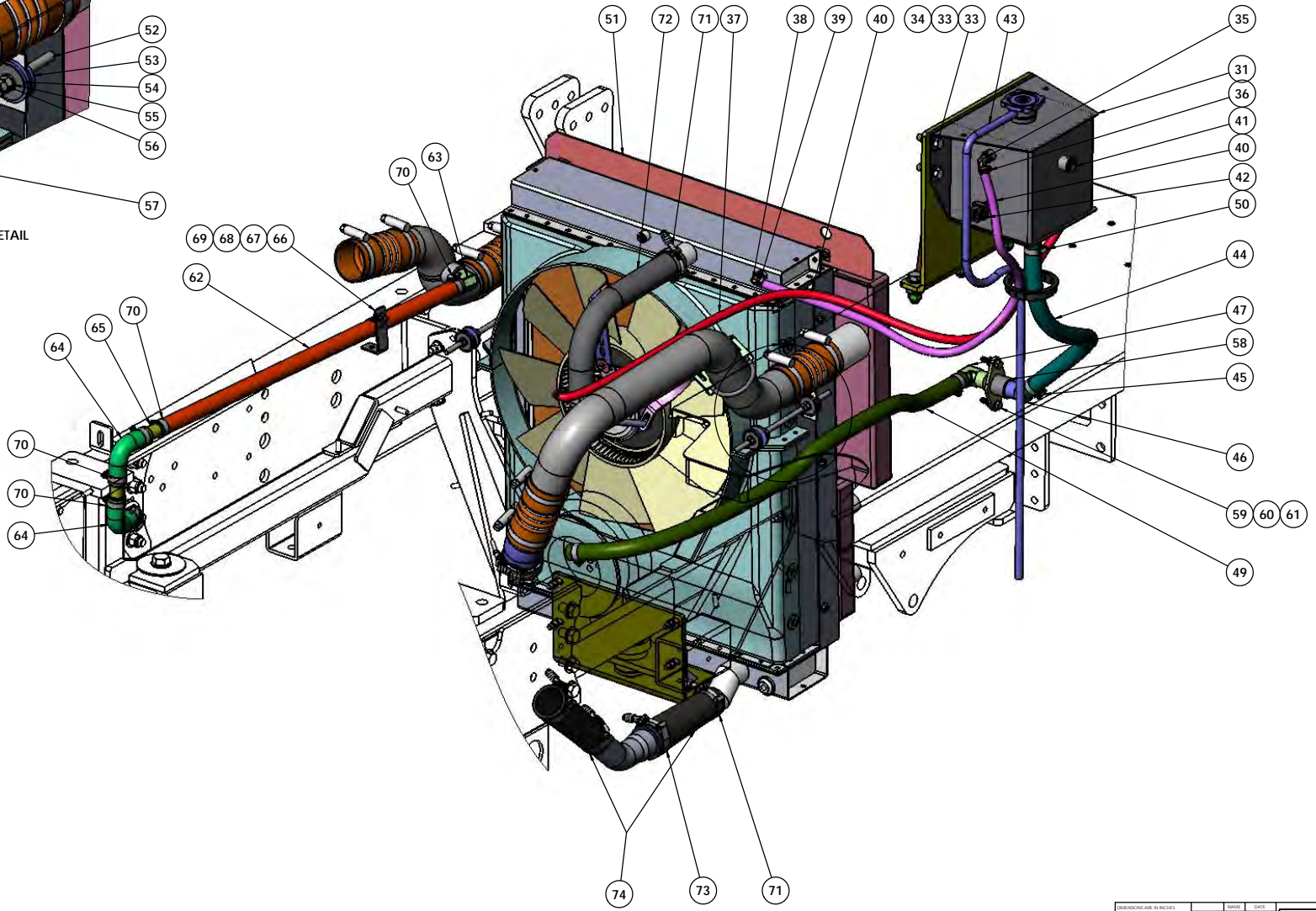
1

DIMENSIONS ARE IN INCHES		NAME	DATE	 WCO MANUFACTURING 88 CYPRESS RIDGE DR. ROCKLAND, NC 29088 (843) 717-2226	
DRAWN	MAL	1/13/2018			
TOLERANCES				TITLE	COOLING SYSTEM
DECIMALS	± .006			SIZE	DWG. NO. 721889-A1
FRACTIONS	± .003			REV	
ANGULAR	± 0.1°			SCALE	1:32 [WEIGHT: 4623.61] SHEET 1 OF 3
FUNCTIONS	± .12°				
DATE:	N/A				
DESIGN:	N/A				
REVISE:	N/A				
SEE NOTE					
REWORK:	N/A				

721889-A1



THREADED ROD DETAIL



SURGE TANK AND HOSES

REFERENCES ARE IN INCHES	DATE	1/13/2018	TICO/TERMINAL SERVICE
DESIGNER: [blank]	ISSUED:		AN CYPRUS ROADS CORP.
CHECKED: [blank]	REVISIONS:		ROCKLAND, NC 27854
APPROVED: [blank]	PROJECT SCALE DRAWING:		(843) 717-2226
REVISIONS:	DESCRIPTION:		
1. N/A	1. THE SUBJECT MATTER SHOWN AND DESCRIBED IN THE DRAWING AND ANY OTHER INFORMATION CONTAINED HEREIN IS THE PROPERTY OF TICO/TERMINAL SERVICE AND IS TO BE USED ONLY FOR THE PROJECT AND ALL RIGHTS TO ANY PATENT, TRADE MARK, AND COPYRIGHT RESERVED AND ARE TO BE USED TO PROTECT TICO/TERMINAL SERVICE.		
2. SEE NOTE			
3. N/A			

TITLE: COOLING SYSTEM	
SIZE: D	DWG. NO: 721889-A1
SCALE: 1:32	WEIGHT: 4623.61
	SHEET 3 OF 3

721889-A1

TICO PRO-SPOTTER				
COOLING SYSTEM, 2017-III CAB, B6.7, SILICONE HOSES				721889
ITEM	PART #	QTY/M	DESCRIPTION	
31	61936	1	SURGE TANK	
32	82407	4	BOLT-1/2-13NC X 1 3/4 LG HEX HD	
33	85115	4	WASHER, FLAT 1/2	
34	85027	4	LOCKNUT, 1/2-13 NYLOK	
NOT SHOWN	42136	1	FITTING, HOSE BARB STR BRASS, 3/8 HOSE TO 3/8 NPT	
35	42239	2	FITTING, HOSE BARB 90° BRASS, 3/8 HOSE X 3/8 NPT	
36	42148	2	CLAMP, HOSE WORM GEAR 1/4 TO 5/8	
37	41158	65 IN	HOSE, 3/8 (ENGINE TO SURGE TANK)	
38	42239	2	FITTING, HOSE BARB 90° BRASS, 3/8 HOSE X 3/8 NPT	
39	42148	2	CLAMP, HOSE WORM GEAR 1/4 TO 5/8	
40	41158	55 IN	HOSE, 3/8 (RADIATOR TO SURGE TANK)	
41	40092	1	PIPE PLUG, 3/8 NPT	
42	60824	1	SENSOR FLUID LEVEL	
43	40811	61 IN	HOSE, OVERFLOW 5/16" ID	
44	41265	32"	BULK HOSE - 1"ID X 1-13/32" OD AIR/WATER - 200 PSI BLACK	
45	40190-2	2	CLAMP, CONSTANT TORQUE 1 1/16 -2	
46	40721	1	FITTING, HOSE BARB 90° STEEL, 1" HOSE X 1" NPT	
47	40722	2	FITTING, HOSE BARB 45° STEEL, 1" HOSE X 1" NPT	
48	42110	1	FITTING, HOSE BARB STR STEEL, 1" HOSE X 1" NPT	
49	41265	26"	BULK HOSE - 1"ID X 1-13/32" OD AIR/WATER - 200 PSI BLACK	
50	40190-2	2	CLAMP, CONSTANT TORQUE 1 1/16 -2	
51	61644	1	BAFFLE - RADIATOR TOP	
52	61603	2	ROD, THREADED 3/8-16 x 12" LG	
53	60857	8	RUBBER MOUNT, 3/8 ID x 1.75 OD	
54	80346	8	WASHER, FENDER 3/8" ID x 1.75 OD	
55	85102	8	WASHER, FLAT 3/8	
56	85003	4	JAM NUT, 3/8-16	
57	85036	4	NUT, LOCK 3/8	
58	12898	1	FRAME COUPLING BRACKET, SURGE TANK	
59	82394	2	BOLT, HEX 3/8"-16 X 1 1/2" Lg	
60	85091	4	WASHER, FLAT 3/8"	
61	85025	2	NUT, 3/8"-16 NYLOK	
REV	DATE	BY		SHEET
A	4/3/2018	MAL		2 OF 3

