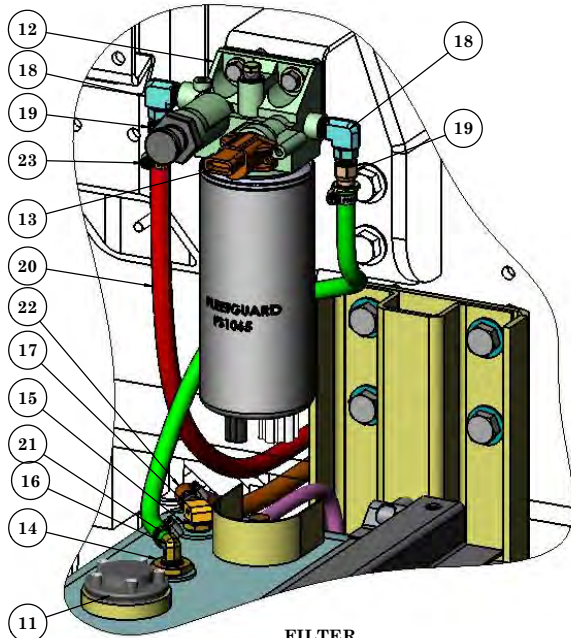
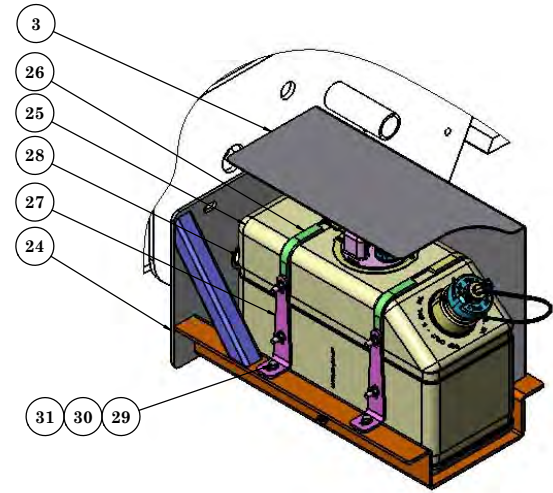


FUEL TANK & SYSTEM
 PAGE 1 GENERAL OVERVIEW
 PAGE 2 DETAIL VIEWS
 PAGE 3-5 PARTS LIST

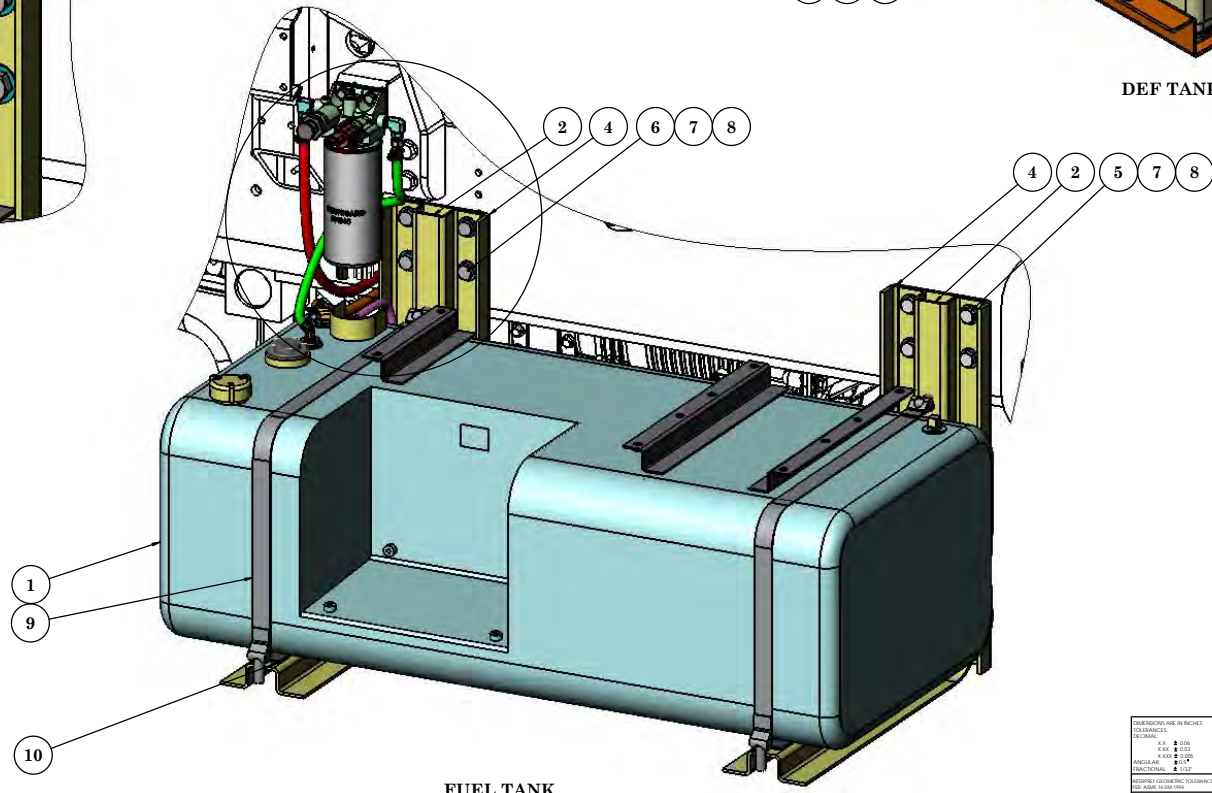
DIMENSIONS ARE IN INCHES		NAME	DATE	 <small>WECO MANUFACTURING 840 CYPRESS RIDGE DR. ROCKLEIGH, NC 27676 (843) 717-2226</small>
TOLERANCES:		DRAWN	MAL	
DECIMAL:		BY	8/26	
FRACTIONAL:		CHKD	8/23	
		APPV	8/23	
		ANGULAR	±0.1°	
		FRACTIONAL	± 1/32"	
<small>DO NOT SCALE DRAWING</small> <small>THIS SUBJECT MATTER DRAWING AND ALL INFORMATION CONTAINED HEREIN IS UNCLASSIFIED EXCEPT WHERE SHOWN OTHERWISE BY THE CONTROLLING AGENCY. IT IS THE POLICY OF WECO TO MAKE ALL INFORMATION CONTAINED HEREIN AVAILABLE TO THE PUBLIC. IT IS THE POLICY OF WECO TO MAKE ALL INFORMATION CONTAINED HEREIN AVAILABLE TO THE PUBLIC. IT IS THE POLICY OF WECO TO MAKE ALL INFORMATION CONTAINED HEREIN AVAILABLE TO THE PUBLIC.</small>				
DATE:	N/A	SIZE	DWG. NO.	REV
ISSUE:	N/A	D	721878-C1	
REVISION:	SEE NOTE	SCALE: 1:32 [WEIGHT: 6380.60] SHEET 1 OF 2		
REVISION:	N/A			



FILTER ASSEMBLY



DEF TANK



FUEL TANK

REV	DATE	BY	CHKD	APP'D	DESCRIPTION
1	10/26/2017				ISSUED FOR MANUFACTURE

DIMENSIONS ARE IN INCHES DECIMALS FRACTIONS ANGLES TOLERANCES UNLESS OTHERWISE SPECIFIED FINISHES SURF. TEXTURE SEE NOTE FINISH	UNLESS OTHERWISE SPECIFIED DECIMALS FRACTIONS ANGLES TOLERANCES UNLESS OTHERWISE SPECIFIED FINISHES SURF. TEXTURE SEE NOTE FINISH	UNLESS OTHERWISE SPECIFIED DECIMALS FRACTIONS ANGLES TOLERANCES UNLESS OTHERWISE SPECIFIED FINISHES SURF. TEXTURE SEE NOTE FINISH	UNLESS OTHERWISE SPECIFIED DECIMALS FRACTIONS ANGLES TOLERANCES UNLESS OTHERWISE SPECIFIED FINISHES SURF. TEXTURE SEE NOTE FINISH	UNLESS OTHERWISE SPECIFIED DECIMALS FRACTIONS ANGLES TOLERANCES UNLESS OTHERWISE SPECIFIED FINISHES SURF. TEXTURE SEE NOTE FINISH	UNLESS OTHERWISE SPECIFIED DECIMALS FRACTIONS ANGLES TOLERANCES UNLESS OTHERWISE SPECIFIED FINISHES SURF. TEXTURE SEE NOTE FINISH
--	--	--	--	--	--

THE SUBJECT MATTER SHOWN AND DESCRIBED IN THIS DRAWING AND ANY OTHER INFORMATION CONTAINED HEREIN IS THE PROPERTY OF WEGO AND IS TO BE KEPT IN CONFIDENTIALITY. IT IS TO BE USED ONLY FOR THE PURPOSES SPECIFIED IN THIS DRAWING. ALL RIGHTS TO ANY PATENT, TRADEMARK, OR COPYRIGHT ARE RESERVED BY WEGO.	TITLE: FUEL TANK & SYSTEM SIZE: D DWG. NO.: 721878-C1 REV: 1	SCALE: 1:32 WEIGHT: 6380.62 SHEET 2 OF 2
---	---	--

TICO PRO-SPOTTER

FUEL TANK & SYSTEM, 2017-B6.7

721878

ITEM	PART #	QTY/M		DESCRIPTION	
	721615-D1	REF		FUEL TANK & SYSTEM, 2017-B6.7	
1	200383	1		TANK, FUEL 65 GALLON DIESEL, STEP FORWARD	
2	20175	2		BRACKET - TANK MOUNT	
3	20086-7	1		COVER - DEF TANK	
4	12406	2		CHANNEL BRACKET - FUEL TANK	
5	82397	4		BOLT, HEX 5/8-11 x 1-1/2 LG	
6	82419	4		BOLT, HEX 5/8-11 x 2 LG	
7	85028	8		NUT, NYLOCK 5/8-11	
8	85094	16		WASHER, FLAT HARD 5/8	
NOT SHOWN	82385	4		BOLT, HEX 1/2-13 X 1-1/4 LG	
NOT SHOWN	85027	4		NUT, NYLOCK 1/2-13	
NOT SHOWN	85093	8		WASHER, FLAT HARD 1/2"	
9	20179	2		HOLDING STRAP, FUEL TANK	
10	20171	2		RUBBER PAD -TANK BRKT 1/8 X 1 1/2	
11	20169	1		SENDER FUEL 240-33 OHM NO-FLOAT	
12	61001	1		FILTER FUEL-PRIMARY (FF5632 FURN W/ENG)	
	62384	1		FILTER HEAD, FH21108	
	61017	1		FILTER FUEL/WATER SEP	
NOT USED	61807	1		HEATER, STICK	
NOT SHOWN	61883	1		BRACKET - STANDOFF	
NOT SHOWN	82405	2		BOLT, HEX 3/8-16 x 1 3/4 BRACKET to CAB BAR	
NOT SHOWN	85113	8		WASHER, FLAT 3/8	
NOT SHOWN	85036	4		LOCKNUT, 3/8-16	
14	42053	1		FITTING, REDUCER BRASS 3/4 NPT - 3/8 NPT (SUPPY)	
15	42095	1		FITTING, REDUCER BRASS 1/2 NPT - 3/8 NPT(RETURN)	
16	42239	1		FITTING, HOSE BARB - 90° BRASS - 3/8 HOSE TO 3/8 NPT (SUPPLY)	
17	42139	1		FITTING, HOSE BARB - 90° BRASS - 5/16 HOSE TO 3/8 NPT (RETURN)	
REV	DATE	BY			SHEET
C	12/28/2017	MAL			1 OF 3

