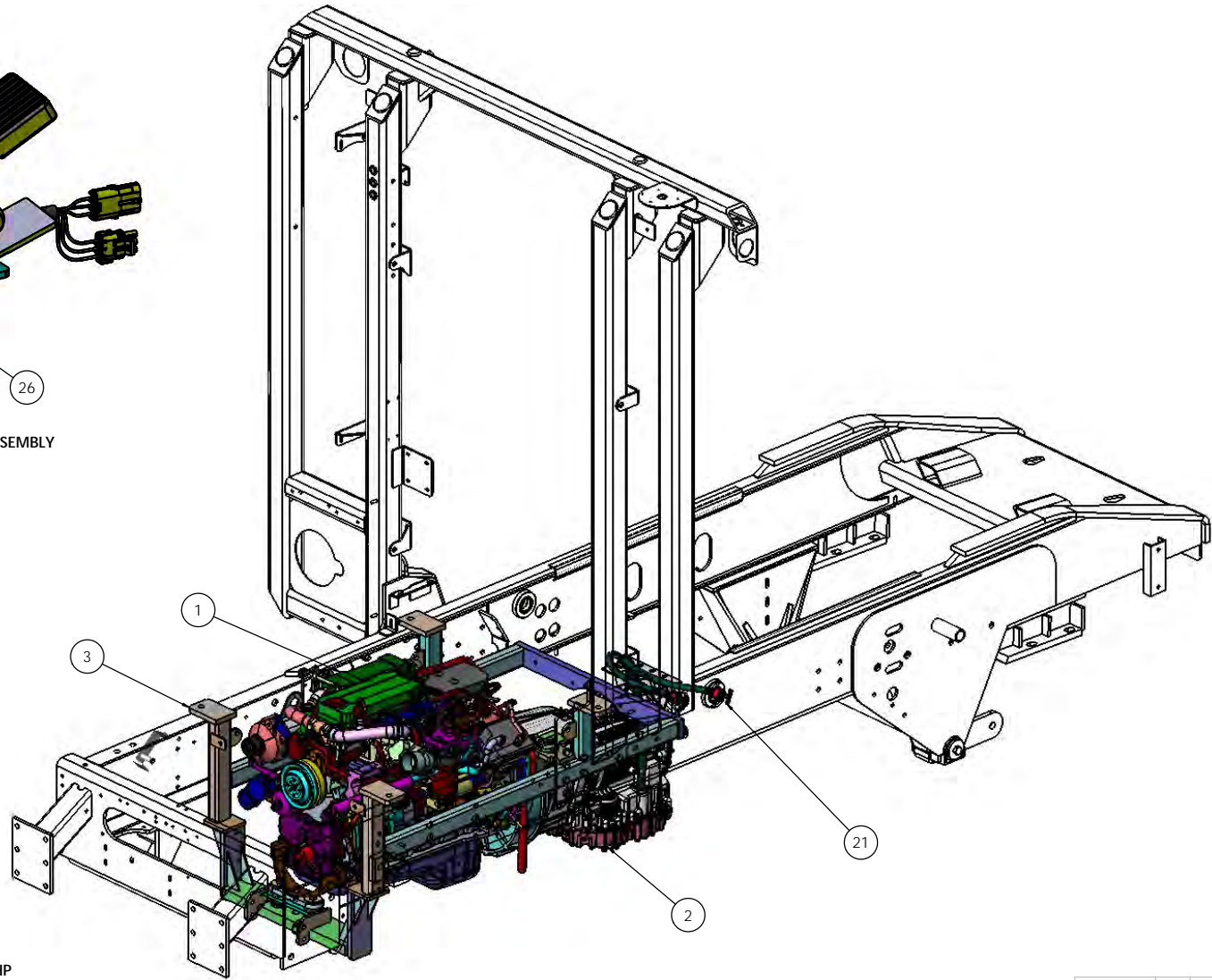
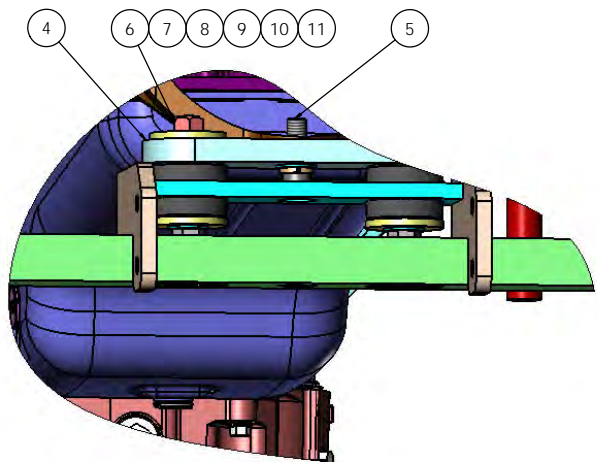


ACCELERATOR PEDAL ASSEMBLY

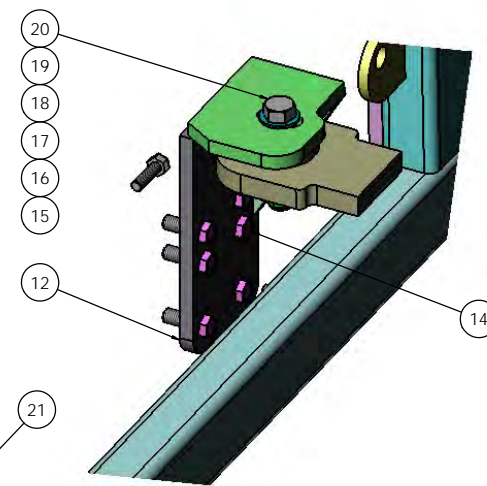


ENGINE & TRANSMISSION, 2017-III CAB, QSB-III, 173 HP
 PAGE1 LEFT OVERVIEW
 PAGE 2 RIGHT OVERVIEW
 PAGE 3 DETAIL PAGE
 PAGE 4-6 PARTSLIST

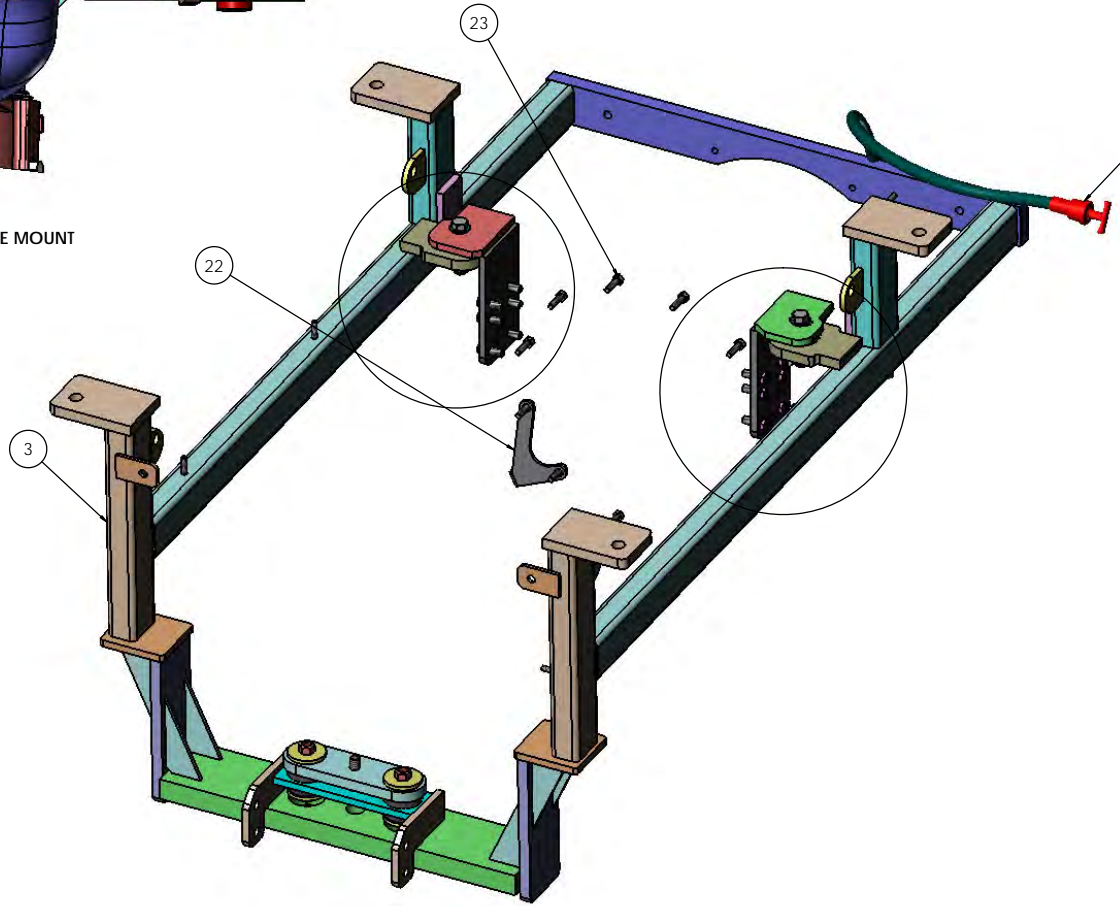
DIMENSIONS ARE IN INCHES		NAME	DATE	TICO MANUFACTURING 66 CYPRUS ROAD DR. ROCKLAND, NC 27854 (843) 717-2226	
TOLERANCES UNLESS OTHERWISE SPECIFIED:		DRAMAN	MAL		11/5/2018
FRONT	± 0.006	CHECKED			
VERTICAL	± 0.005	APPROVED			
ANGULAR	± 0.1°	THE SUBJECT MATTER SHOWN AND DESCRIBED IN THE DRAWING AND ANY OTHER INFORMATION CONTAINED HEREIN IS THE PROPERTY OF TICO. ALL RIGHTS TO ANY PATENTS, TRADEMARKS, AND COPYRIGHTS ARE RESERVED TO TICO. TRADEMARKS AND COPYRIGHTS NOTED AS BELONGING TO TICO. TRADEMARKS AND COPYRIGHTS NOTED AS BELONGING TO TICO. TRADEMARKS AND COPYRIGHTS NOTED AS BELONGING TO TICO. TRADEMARKS AND COPYRIGHTS NOTED AS BELONGING TO TICO.		TITLE: ENGINE & TRANSMISSION, 2017-III CAB, QSB-III, 173 HP	
SIZE	D	SCALE	1:32	WEIGHT	
REV		DWG. NO.	721876-E1	REV	
SHEET		SHEET	1 OF 3		



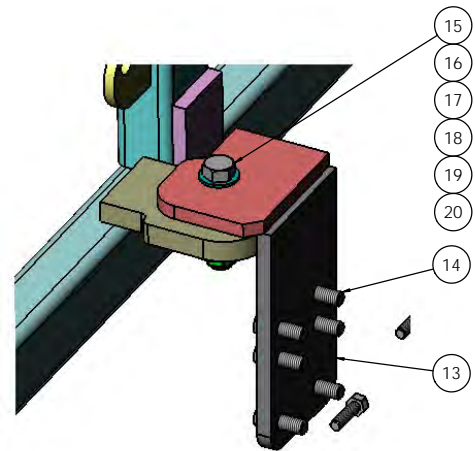
FRONT ENGINE MOUNT



LH REAR ENGINE MOUNT



FRONT ENGINE MOUNT



RH REAR ENGINE MOUNT

DIMENSIONS ARE IN INCHES		NAME	DATE	TICO/TERMINAL SERVICE 840 CYPRESS RIDGE DR. ROCKLAND, SC 29588 (843) 717-2226
UNLESS OTHERWISE SPECIFIED:		DRAWN	MAL	
TOLERANCES:		CHECKED		
BOTH	± .005	APPROVED		
FINISHES:	AS SUPPLIED	DO NOT SCALE DRAWING		
UNLESS OTHERWISE SPECIFIED:		THE SUBJECT MATTER SHOWN AND DESCRIBED IN THIS DRAWING AND ANY OTHER MATERIALS MANUFACTURED BY OR FOR THE COMPANY SHALL BE CONSIDERED TO BE THE PROPERTY OF THE COMPANY AND SHALL REMAIN THE PROPERTY OF THE COMPANY. ALL RIGHTS TO ANY PATENTS, TRADE SECRETS, OR OTHER INTELLECTUAL PROPERTY ARE RESERVED TO THE COMPANY.		
SCALE:	1:32	SIZE	DWG. NO.	REV
		D	721876-E1	
		SCALE:	1:32	WEIGHT:
				SHEET 3 OF 3

TICO PRO-SPOTTER				
ENGINE & TRANS 2017-III, QSB-III, 1st-5th -GEN V, LOW MOUNT TURBO, WATER VALVES				721876
ITEM	PART #	QTY/M	DESCRIPTION	
1	620719	1	ENGINE-QSB-III,173HP,AC, BLK HTR, DELCO STR & ALT 160A, LOW MNT TURBO-24MPH	
2	60799-17	1	TRANSMISSION-3000 RDS, TC-417	
NS	621000	1	TCM-RDS3000, 1-5, 2016 CUM QSB III/IV, 7.17-7.86,12V	
NS	62192	1	SHIFTER-PUSH BUTTON GEN-V	
3	62210	1	ENGINE CRADLE QSB/RDS STD	
4	60809	1	PLATE MTG FRONT ENGINE DUAL SYSTEM	
5	80341	1	BOLT, SOC HD , M16 x 2.0, 45MM LG, BLK OXIDE	
6	60814	4	ISOLATOR,ENGINE FRONT DUAL	
7	10971	2	SPACER FRONT MOTOR MOUNT QSB-III/ISB-O7	
8	82474	2	BOLT 5/8-11X3-1/4" HHCS	
9	85028	2	LOCKNUT, NYLOCK 5/8"-11	
10	85094	2	WASHER, FLAT, 5/8", SAE, GRD 8, ZINC PLT	
11	60113	2	WASHER 3X5/8	
12	60981	1	MOUNT MOTOR BRACKET QSB-III L-H 2 DEG	
13	60982	1	MOTOR MOUNT BRACKET QSB3, RH 2DEG	
14	80240	12	BOLT, HEX HEAD, M12 x 15 x 35MM LG, GRD 10.9	
15	60136	2	BUSHING, REAR MOTOR MOUNT	
16	60740	2	SPACER,REAR MOTOR MOUNT 1/4" THK,13/16IDX3.75OD	
17	85095	2	WASHER, FLAT, 3/4", SAE, GRD 8, ZINC PLT	
18	82530	2	BOLT, HEX HD 3/4-10 X 4 1/2" LG, GRD 8	
19	85029	2	LOCKNUT, NYLOCK, 3/4-10	
20	60740-1	2	SPACER,REAR MOTOR MOUNT 1/8" THK,13/16IDX3.75 OD	
NS	42055	1	FITTING-ELBOW, 1 HOSE BARB X 3/4 NPTM, 45 DEG, STEEL	
NS	42150	2	CLAMP, WORMGEAR #08, 7/16"-1", SSTL	
NS	410358	84	HOSE, BULK HEATER, 5/8' ID, EDPM	
NS	410358	96	HOSE, BULK HEATER, 5/8' ID, EDPM	
NS	60799-6	6	BOLT, M10 X 1.5, 30MM LONG, FLEXPLATE, 300RDS TRANS	
NS	62126	1	CLIP-DIPSTICK RETAINER	
21	61574	1	DIPSTICK,TRANSMISSION,SIDE CHECK ,3000/3500RDS	
NS	800458	1	M8-2.12 x 20MM HEX WASHER HEAD TAPPING SCREW	
22	90910	1	BRACKET, SUPPORT POS./NEG BATTERY CABLES	
REV	DATE	BY		SHEET
E	1/21/20	REB		1 OF 3

