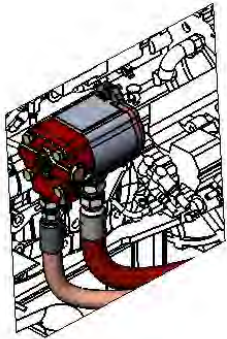
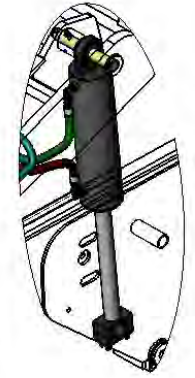
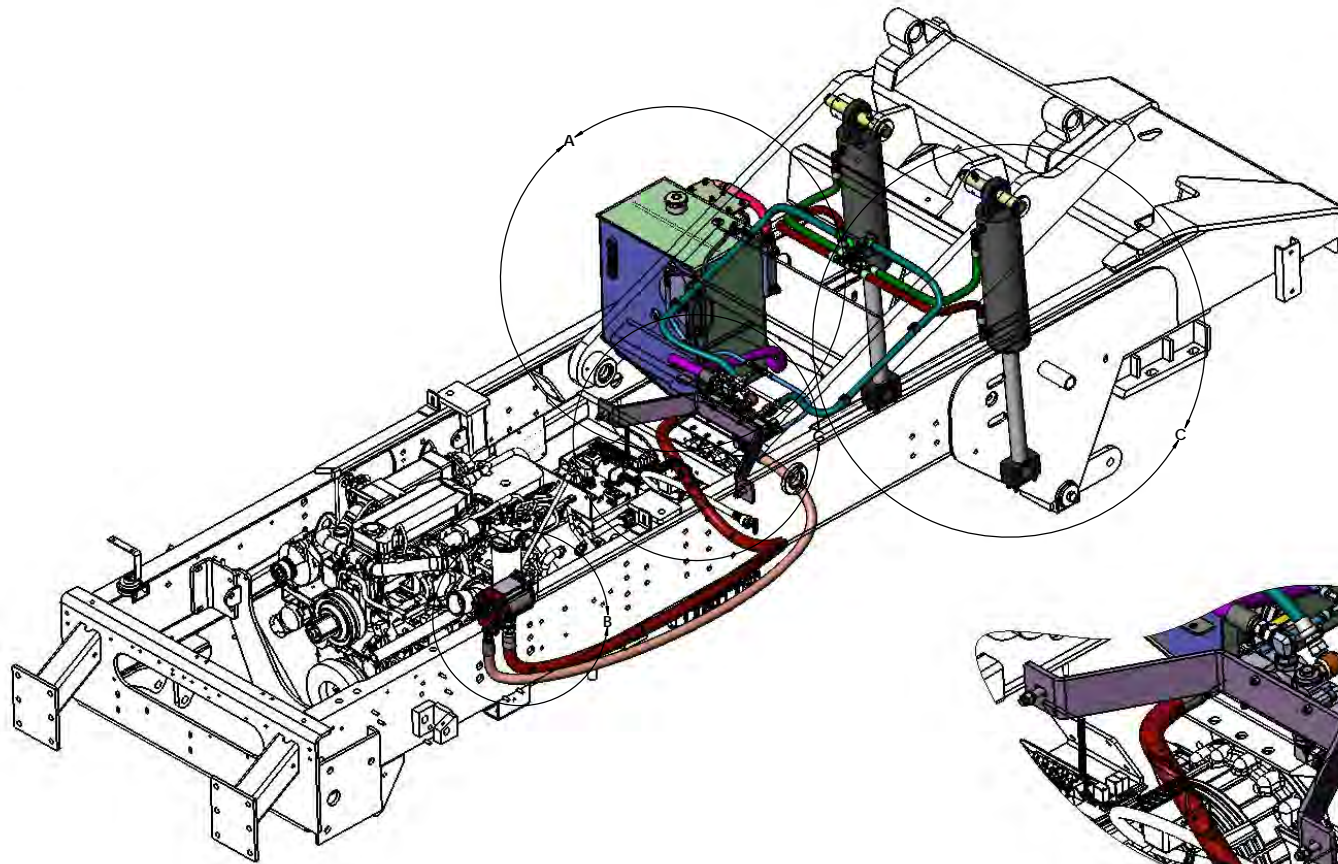


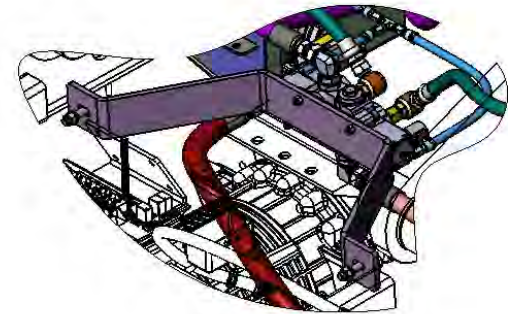
A. HYDRAULIC TANK & FITTINGS
PAGE 2



B. HYDRAULIC PUMP
PAGE 2



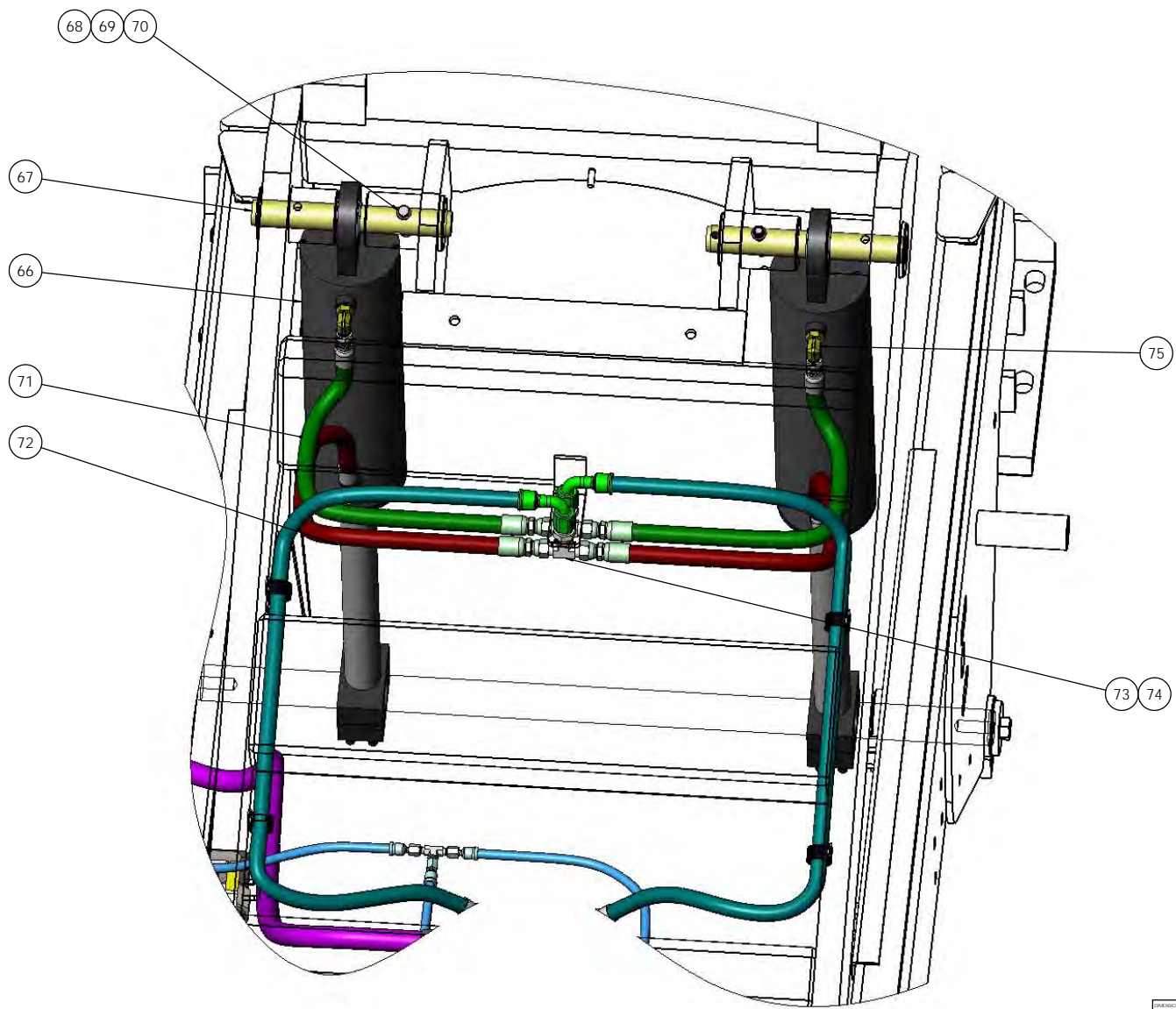
C. CYLINDERS
& HOSES
PAGE 3




D. DIRECTIONAL CONTROL VALVE
PAGE 2

HYDRAULIC SYSTEM
PAGE 1 OVERVIEW PAGE
PAGE 2 PUMP, TANK, AND DCV
PAGE 3 CYLINDERS
PAGE 4 HOSES
PAGE 5-7 PARTS LIST

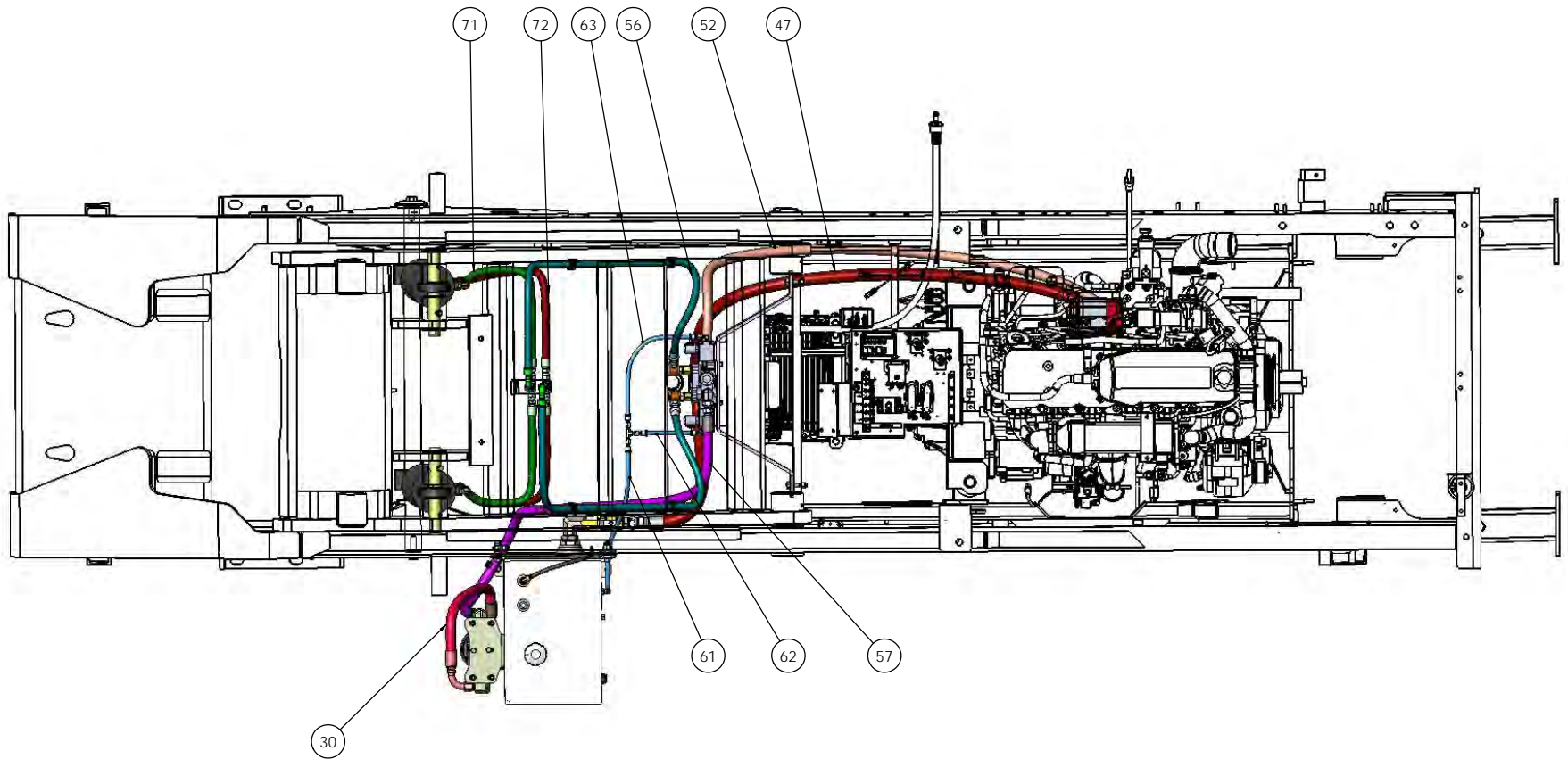
DIMENSIONS ARE IN INCHES		NAME	DATE
TOLERANCES:	DRAWN	MAL	08/08/2017
DECIMAL	BY		
.000 - .009	CHECKED		
.010 - .029	APPROVED		
.030 - .049			
.050 - .079			
.080 - .119			
.120 - .159			
.160 - .199			
.200 - .249			
.250 - .299			
.300 - .349			
.350 - .399			
.400 - .449			
.450 - .499			
.500 - .549			
.550 - .599			
.600 - .649			
.650 - .699			
.700 - .749			
.750 - .799			
.800 - .849			
.850 - .899			
.900 - .949			
.950 - .999			
1.000 - 1.999			
2.000 - 2.999			
3.000 - 3.999			
4.000 - 4.999			
5.000 - 5.999			
6.000 - 6.999			
7.000 - 7.999			
8.000 - 8.999			
9.000 - 9.999			
10.000 - 14.999			
15.000 - 19.999			
20.000 - 24.999			
25.000 - 29.999			
30.000 - 34.999			
35.000 - 39.999			
40.000 - 44.999			
45.000 - 49.999			
50.000 - 54.999			
55.000 - 59.999			
60.000 - 64.999			
65.000 - 69.999			
70.000 - 74.999			
75.000 - 79.999			
80.000 - 84.999			
85.000 - 89.999			
90.000 - 94.999			
95.000 - 99.999			
100.000 - 149.999			
150.000 - 199.999			
200.000 - 249.999			
250.000 - 299.999			
300.000 - 349.999			
350.000 - 399.999			
400.000 - 449.999			
450.000 - 499.999			
500.000 - 549.999			
550.000 - 599.999			
600.000 - 649.999			
650.000 - 699.999			
700.000 - 749.999			
750.000 - 799.999			
800.000 - 849.999			
850.000 - 899.999			
900.000 - 949.999			
950.000 - 999.999			
1000.000 - 1499.999			
1500.000 - 1999.999			
2000.000 - 2499.999			
2500.000 - 2999.999			
3000.000 - 3499.999			
3500.000 - 3999.999			
4000.000 - 4499.999			
4500.000 - 4999.999			
5000.000 - 5499.999			
5500.000 - 5999.999			
6000.000 - 6499.999			
6500.000 - 6999.999			
7000.000 - 7499.999			
7500.000 - 7999.999			
8000.000 - 8499.999			
8500.000 - 8999.999			
9000.000 - 9499.999			
9500.000 - 9999.999			
10000.000 - 14999.999			
15000.000 - 19999.999			
20000.000 - 24999.999			
25000.000 - 29999.999			
30000.000 - 34999.999			
35000.000 - 39999.999			
40000.000 - 44999.999			
45000.000 - 49999.999			
50000.000 - 54999.999			
55000.000 - 59999.999			
60000.000 - 64999.999			
65000.000 - 69999.999			
70000.000 - 74999.999			
75000.000 - 79999.999			
80000.000 - 84999.999			
85000.000 - 89999.999			
90000.000 - 94999.999			
95000.000 - 99999.999			
100000.000 - 149999.999			
150000.000 - 199999.999			
200000.000 - 249999.999			
250000.000 - 299999.999			
300000.000 - 349999.999			
350000.000 - 399999.999			
400000.000 - 449999.999			
450000.000 - 499999.999			
500000.000 - 549999.999			
550000.000 - 599999.999			
600000.000 - 649999.999			
650000.000 - 699999.999			
700000.000 - 749999.999			
750000.000 - 799999.999			
800000.000 - 849999.999			
850000.000 - 899999.999			
900000.000 - 949999.999			
950000.000 - 999999.999			
1000000.000 - 1499999.999			
1500000.000 - 1999999.999			
2000000.000 - 2499999.999			
2500000.000 - 2999999.999			
3000000.000 - 3499999.999			
3500000.000 - 3999999.999			
4000000.000 - 4499999.999			
4500000.000 - 4999999.999			
5000000.000 - 5499999.999			
5500000.000 - 5999999.999			
6000000.000 - 6499999.999			
6500000.000 - 6999999.999			
7000000.000 - 7499999.999			
7500000.000 - 7999999.999			
8000000.000 - 8499999.999			
8500000.000 - 8999999.999			
9000000.000 - 9499999.999			
9500000.000 - 9999999.999			
10000000.000 - 14999999.999			
15000000.000 - 19999999.999			
20000000.000 - 24999999.999			
25000000.000 - 29999999.999			
30000000.000 - 34999999.999			
35000000.000 - 39999999.999			
40000000.000 - 44999999.999			
45000000.000 - 49999999.999			
50000000.000 - 54999999.999			
55000000.000 - 59999999.999			
60000000.000 - 64999999.999			
65000000.000 - 69999999.999			
70000000.000 - 74999999.999			
75000000.000 - 79999999.999			
80000000.000 - 84999999.999			
85000000.000 - 89999999.999			
90000000.000 - 94999999.999			
95000000.000 - 99999999.999			
100000000.000 - 149999999.999			
150000000.000 - 199999999.999			
200000000.000 - 249999999.999			
250000000.000 - 299999999.999			
300000000.000 - 349999999.999			
350000000.000 - 399999999.999			
400000000.000 - 449999999.999			
450000000.000 - 499999999.999			
500000000.000 - 549999999.999			
550000000.000 - 599999999.999			
600000000.000 - 649999999.999			
650000000.000 - 699999999.999			
700000000.000 - 749999999.999			
750000000.000 - 799999999.999			
800000000.000 - 849999999.999			
850000000.000 - 899999999.999			
900000000.000 - 949999999.999			
950000000.000 - 999999999.999			
1000000000.000 - 1499999999.999			
1500000000.000 - 1999999999.999			
2000000000.000 - 2499999999.999			
2500000000.000 - 2999999999.999			
3000000000.000 - 3499999999.999			
3500000000.000 - 3999999999.999			
4000000000.000 - 4499999999.999			
4500000000.000 - 4999999999.999			
5000000000.000 - 5499999999.999			
5500000000.000 - 5999999999.999			
6000000000.000 - 6499999999.999			
6500000000.000 - 6999999999.999			
7000000000.000 - 7499999999.999			
7500000000.000 - 7999999999.999			
8000000000.000 - 8499999999.999			
8500000000.000 - 8999999999.999			
9000000000.000 - 9499999999.999			
9500000000.000 - 9999999999.999			
10000000000.000 - 14999999999.999			
15000000000.000 - 19999999999.999			
20000000000.000 - 24999999999.999			
25000000000.000 - 29999999999.999			
30000000000.000 - 34999999999.999			
35000000000.000 - 39999999999.999			
40000000000.000 - 44999999999.999			
45000000000.000 - 49999999999.999			
50000000000.000 - 54999999999.999			
55000000000.000 - 59999999999.999			
60000000000.000 - 64999999999.999			
65000000000.000 - 69999999999.999			
70000000000.000 - 74999999999.999			
75000000000.000 - 79999999999.999			
80000000000.000 - 84999999999.999			
85000000000.000 - 89999999999.999			
90000000000.000 - 94999999999.999			
95000000000.000 - 99999999999.999			
100000000000.000 - 149999999999.999			
150000000000.000 - 199999999999.999			
200000000000.000 - 249999999999.999			
250000000000.000 - 299999999999.999			
300000000000.000 - 349999999999.999			
350000000000.000 - 399999999999.999			
400000000000.000 - 449999999999.999			
450000000000.000 - 499999999999.999			
500000000000.000 - 549999999999.999			
550000000000.000 - 599999999999.999			
600000000000.000 - 649999999999.999			
650000000000.000 - 699999999999.999			
700000000000.000 - 749999999999.999			



REFERENCES ARE IN INCHES	UNITS	DATE	TCO/TERMINAL SERVICE
TOLERANCES UNLESS SPECIFIED	FRACTIONS	MM/IN	AS CYPRESS RIDGE DR. ROCKLAND, SC 29568 (843) 717-2226
FINISHES	CHECKED	05/08/2017	
SIZE	AS SHOWN		
ANGULAR	AS SHOWN		
FUNCTIONAL	AS SHOWN		
REVISIONS	REVISED		
REVISION	DESCRIPTION	DATE	
1	N/A		
2	SEE NOTE		
3	N/A		


TITLE: HYDRAULIC SYSTEM, 2017-II
SIZE: D **DWG. NO.:** 721868-B1 **REV:**
SCALE: 1:32 **WEIGHT:** 5843.41 **SHEET:** 3 OF 4

D 721868-B1



REFERENCES ARE IN INCHES	DATE	7/20/2017	TICO/TERMINAL SERVICE
DRAWN	SCALE	AS SHOWN	AS SHOWN
CHECKED	DATE	06/08/2017	AS SHOWN
APPROVED	DATE		
REVISIONS	DATE		
1. 0.00			
2. 0.00			
3. 0.00			
4. 0.00			
5. 0.00			
6. 0.00			
7. 0.00			
8. 0.00			
9. 0.00			
10. 0.00			
11. 0.00			
12. 0.00			
13. 0.00			
14. 0.00			
15. 0.00			
16. 0.00			
17. 0.00			
18. 0.00			
19. 0.00			
20. 0.00			
21. 0.00			
22. 0.00			
23. 0.00			
24. 0.00			
25. 0.00			
26. 0.00			
27. 0.00			
28. 0.00			
29. 0.00			
30. 0.00			
31. 0.00			
32. 0.00			
33. 0.00			
34. 0.00			
35. 0.00			
36. 0.00			
37. 0.00			
38. 0.00			
39. 0.00			
40. 0.00			
41. 0.00			
42. 0.00			
43. 0.00			
44. 0.00			
45. 0.00			
46. 0.00			
47. 0.00			
48. 0.00			
49. 0.00			
50. 0.00			
51. 0.00			
52. 0.00			
53. 0.00			
54. 0.00			
55. 0.00			
56. 0.00			
57. 0.00			
58. 0.00			
59. 0.00			
60. 0.00			
61. 0.00			
62. 0.00			
63. 0.00			
64. 0.00			
65. 0.00			
66. 0.00			
67. 0.00			
68. 0.00			
69. 0.00			
70. 0.00			
71. 0.00			
72. 0.00			
73. 0.00			
74. 0.00			
75. 0.00			
76. 0.00			
77. 0.00			
78. 0.00			
79. 0.00			
80. 0.00			
81. 0.00			
82. 0.00			
83. 0.00			
84. 0.00			
85. 0.00			
86. 0.00			
87. 0.00			
88. 0.00			
89. 0.00			
90. 0.00			
91. 0.00			
92. 0.00			
93. 0.00			
94. 0.00			
95. 0.00			
96. 0.00			
97. 0.00			
98. 0.00			
99. 0.00			
100. 0.00			

TITLE: HYDRAULIC SYSTEM, 2017-II
 SIZE: D
 DWG. NO.: 721868-B1
 REV: 1
 SCALE: 1:32 [WEIGHT: 5843.41] SHEET 4 OF 4

721868-B1
 4 OF 4

TICO PRO-SPOTTER				
HYDRAULIC SYSTEM, 2017-II 116"WB				721868
ITEM	PART #	QTY/M	DESCRIPTION	
	721602-A1	REF	HYDRAULIC SYSTEM, 2017-II 116"WB	
1	620888	1	PUMP - 20 GPM, 5 GPM STEER PRIORITY	
2	60212	1	GASKET	
3	80175	2	BOLT - SOC HD M10 X 1.5 X 30MM LG	
4	85091	2	WASHER 3/8	
5	42018	1	FITTING, STR ADAPTER STEEL, 1" O"RING X 1" JIC - PUMP SUCTION	
6	40471	1	FITTING, STR ADAPTER STEEL, 3/4" O-RING X 3/4" JIC	
7	42006	1	FITTING, STR ADAPTER STEEL, 1/2" O-RING X 1/2" JIC	
8	420340	1	TANK-HYDRAULIC, 18.5 GAL, VENTED W/SAE PORTS, NON VENTED CAP, LH FILTER	
9	82418	4	BOLT, HEX 1/2-13 X 2 LG	
10	85027	4	NUT, NYLOK 1/2-13	
11	85104	8	FLATWASHER 1/2	
12	30174	1	SPACER - HYDRAULIC TANK	
13	40823	1	FITTING, ELBOW 90° STEEL, 3/8 TUBE X 3/8 NPT (@ TANK TOP)	
14	11004	3 FT	TUBING - NYLON AIR BRAKE BLACK - 3/8" DIA	
15	40593	1	P, CLAMP	
16	82371	1	BOLT, HEX 5/16-18 X 1" LG	
17	85024	1	NUT, NYLOK 5/16-18	
18	85112	2	WASHER 5/16	
19	420377	1	FITTING-ELBOW,SAE O-RING (-20) 1-5/16" THREAD X 1" -11 NPT (MALE), STEEL	
20	420383	1	FITTING-ADAPTER, 1-1/4" NPT (FEMALE) X 1" NPT (MALE), STEEL	
21	40146	1	SHUT-OFF VALVE - 1"	
22	40961	1	FITTING, STR ADAPTER STEEL, 1" JIC X 1" NPT (@ SHUT-OFF)	
23	420382	2	FITTING, ELBOW,90°, 1 1/4 NPT (MALE) X 3/4" JIC (MALE)	
24	60556-2	1	FILTER HEAD	
25	60556-1	1	FILTER	
26	1026037	1	SEAL	
27	20100	2	U-BOLT (3/8" DIA x 2" ID x 3-5/8" OAL)	
28	85091	4	WASHER, 3/8" HRDN	
29	85025	4	NUT, 3/8"-16 NYLOK	
30	410344	1	HOSE ASS'Y - 3/4" X 25 HOSE X 30-1/16 OAL - FILTER TO TANK	
31	420379	1	FITTING-ELBOW,SAE O-RING (-16) 1-5/16-12 THREAD X 3/4"-14 NPT (MALE), STEEL	
32	40147	1	SHUT-OFF VALVE - 3/4"	
33	40961	1	FITTING-1" JIC X 1" NPT (MALE), STEEL	
33	82371	2	BOLT - HEX 5/16-18 X 1" LG - FILTER TO TANK	
34	85090	2	WASHER - 5/16	
35	85134	2	LOCKWASHER 5/16	
NOT SHOWN	42182	1	ADAPTER, 1" NPT(MALE) X 3/4" NPT (FEMALE), STEEL	
REV	DATE	BY		SHEET
B	8/8/2017	MAL		1 OF 3
TICO MANUFACTURING - RIDGELAND, SC 29936				

