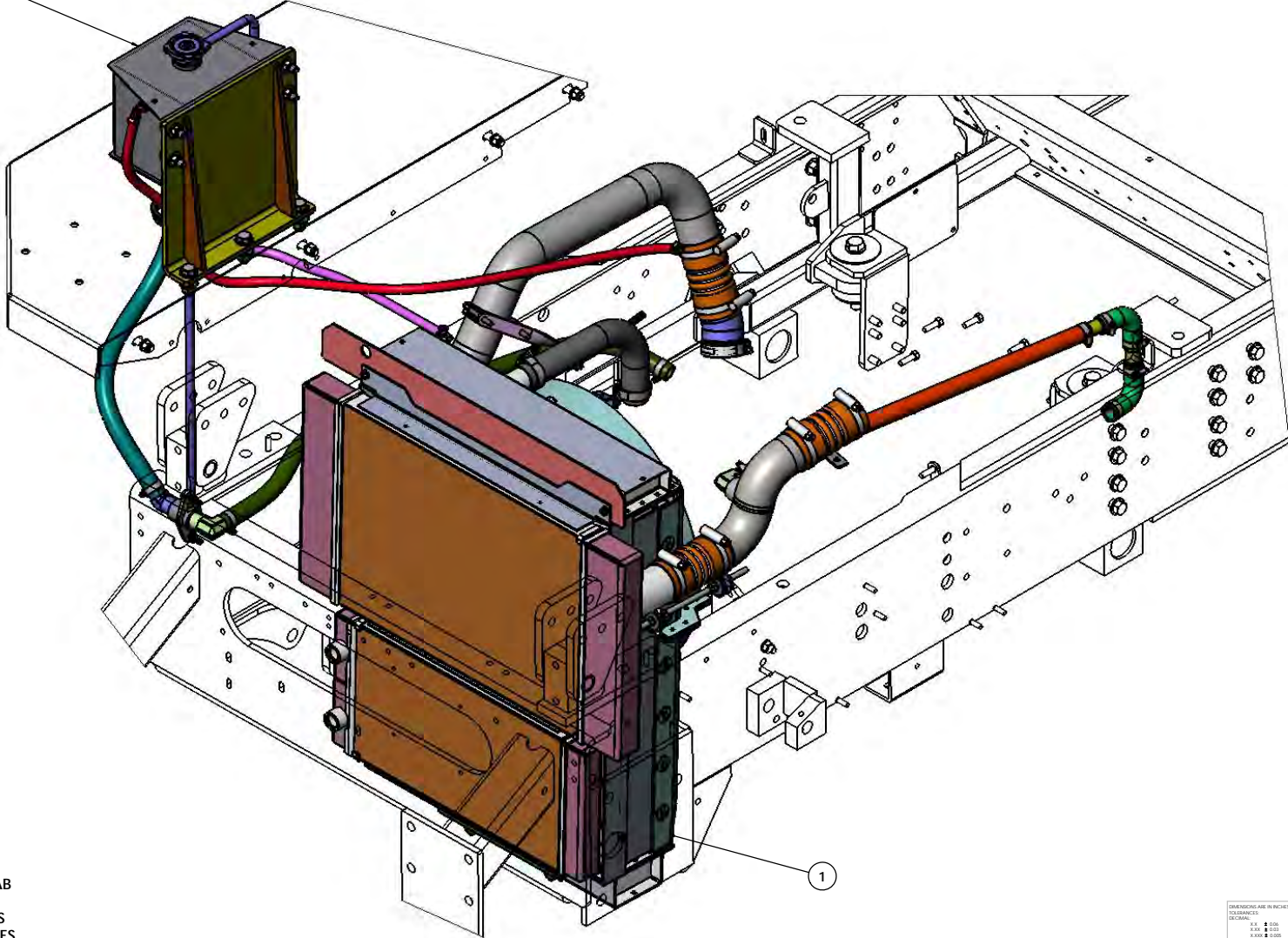


31



1

COOLING SYSTEM, 2017-III CAB
 PAGE 1 GENERAL OVERVIEW
 PAGE 2 RADIATOR AND TUBES
 PAGE 3 SURGE TANK AND HOSES
 PAGE 4-6 PART LISTS

DIMENSIONS ARE IN INCHES		NAME	DATE	 WCO MANUFACTURING 840 CYPRESS RIDGE DR. ROCKLAND, NC 27854 (843) 717-2226
DRAWN	MAL	1/13/2018		
TOLERANCES				TITLE: COOLING SYSTEM SIZE: DWG. NO. 721862-A1 REV
FRAC.				
DECIMALS				SCALE: 1:32 [WEIGHT: 4623.61] SHEET 1 OF 3
ANGULAR				
FRACTIONAL				
DATE:	N/A	THE SUBJECT MATTER SHOWN AND DESCRIBED IN THE DRAWING AND ANY OTHER INFORMATION CONTAINED HEREIN IS THE PROPERTY OF WCO AND IS NOT TO BE REPRODUCED OR TRANSMITTED IN ANY FORM OR BY ANY MEANS, ELECTRONIC OR MECHANICAL, INCLUDING PHOTOCOPYING, RECORDING, OR BY ANY INFORMATION STORAGE AND RETRIEVAL SYSTEM, WITHOUT THE WRITTEN PERMISSION OF WCO MANUFACTURING, INC.		
DESIGN:	N/A	SEE NOTE		
REVISION:	N/A			

721862-A1

TICO PRO-SPOTTER				
COOLING SYSTEM, 2017-III CAB, B6.7, DIRECT DRIVE FAN				721862
ITEM	PART #	QTY/M	DESCRIPTION	
	721862-A1	REF	COOLING SYSTEM, 2017-III CAB, B6.7, DIRECT DRIVE FAN	
1	620586	1	RADIATOR ASSY - W/AC CONDENSER MTG - 1/2" STUDS,BAR/PLATE	
2	12736	1	RADIATOR MOUNT, RUBBER ISOLATORS	
3	82405	4	BOLT, HEX 3/8-16 x 1-3/4" Lg BRKT to ENGINE MT	
4	85036	4	LOCKNUT - 3/8-16	
5	85091	8	WASHER, FLAT 3/8	
6	62254	2	ISOLATOR - RADIATOR MOUNT	
7	85025	2	LOCKNUT, 3/8-16	
8	85091	2	WASHER, FLAT 3/8	
9	85014	2	NUT, HEX 3/8-16	
10	40593	2	CLAMP, P 1.0	
11	80316	4	WASHER, FENDER 3/8" ID x 1 1/2" OD	
12	62110	2	WASHER - FRONT ENGINE MOUNT - BOTTOM	
13	62332	2	WASHER - RADIATOR MOUNT TOP	
14	61842	1	FAN,ENG 22" 9 BLADE COMP 3.75 PW	
15	61647	1	FAN, ENG 22" 9 BLADE 3.75 PW	
16	62173-2	1	SPACER-FAN 19mm	
NOT SHOWN	60799-19	4	BOLT, 10mm x 50mm LG, SERRATED FLANGE HEAD	
NOT SHOWN	85135	4	LOCKWASHER 3/8	
NOT SHOWN	62328	1	PLATE, FAN CAPTURE	
17	60988	1	FAN SHROUD	
18	82359	12	BOLT, HEX 1/4-20 X 3/4" LG SHROUD SIDES	
19	80129	12	WASHER, FENDER 1/4" ID x 1 1/4" OD	
20	85034	12	LOCKNUT 1/4	
21	62055	1	TUBE, CAC LH	
22	620678	1	TUBE, CAC RH	
23	40175	4	HOSE, HUMP	
24	40185	8	CLAMP, CONSTANT TORQUE 2 3/4 - 3 5/8	
25	62048	1	ELBOW, CAC PIPE, ISB	
26	42261	1	CLAMP, V BAND	
27	42262	1	SEAL, O-RING	
28	30337	1	BRACKET, CAC RH TUBE TO ALTERNATOR	
29	40005	1	CLAMP, 3" MUFFLER	
30	80368	1	BOLT, HEX HD 12mm X 160mm LG GRD 8.8 PLATED	
REV	DATE	BY		SHEET
A	4/3/2018	MAL		1 OF 3

TICO PRO-SPOTTER

COOLING SYSTEM, 2017-III CAB, B6.7, DIRECT DRIVE FAN

721862

ITEM	PART #	QTY/M	DESCRIPTION
31	61936	1	SURGE TANK
32	82407	4	BOLT-1/2-13NC X 1 3/4 LG HEX HD
33	85115	4	WASHER, FLAT 1/2
34	85027	4	LOCKNUT, 1/2-13 NYLOK
NOT SHOWN	42136	1	FITTING, HOSE BARB STR BRASS, 3/8 HOSE TO 3/8 NPT
35	42239	2	FITTING, HOSE BARB 90° BRASS, 3/8 HOSE X 3/8 NPT
36	42148	2	CLAMP, HOSE WORM GEAR 1/4 TO 5/8
37	41158	65 IN	HOSE, 3/8 (ENGINE TO SURGE TANK)
38	42239	2	FITTING, HOSE BARB 90° BRASS, 3/8 HOSE X 3/8 NPT
39	42148	2	CLAMP, HOSE WORM GEAR 1/4 TO 5/8
40	41158	55 IN	HOSE, 3/8 (RADIATOR TO SURGE TANK)
41	40092	1	PIPE PLUG, 3/8 NPT
42	60824	1	SENSOR FLUID LEVEL
43	40811	61 IN	HOSE, OVERFLOW 5/16" ID
44	41265	32"	BULK HOSE - 1"ID X 1-13/32" OD AIR/WATER - 200 PSI BLACK
45	40190-2	2	CLAMP, CONSTANT TORQUE 1 1/16 -2
46	40721	1	FITTING, HOSE BARB 90° STEEL, 1" HOSE X 1" NPT
47	40722	2	FITTING, HOSE BARB 45° STEEL, 1" HOSE X 1" NPT
48	42110	1	FITTING, HOSE BARB STR STEEL, 1" HOSE X 1" NPT
49	41265	26"	BULK HOSE - 1"ID X 1-13/32" OD AIR/WATER - 200 PSI BLACK
50	40190-2	2	CLAMP, CONSTANT TORQUE 1 1/16 -2
51	61644	1	BAFFLE - RADIATOR TOP
52	61603	2	ROD, THREADED 3/8-16 x 12" LG
53	60857	8	RUBBER MOUNT, 3/8 ID x 1.75 OD
54	80346	8	WASHER, FENDER 3/8" ID x 1.75 OD
55	85102	8	WASHER, FLAT 3/8
56	85003	4	JAM NUT, 3/8-16
57	85036	4	NUT, LOCK 3/8
58	12898	1	FRAME COUPLING BRACKET, SURGE TANK
59	82394	2	BOLT, HEX 3/8"-16 X 1 1/2" Lg
60	85091	4	WASHER, FLAT 3/8"
61	85025	2	NUT, 3/8"-16 NYLOK

REV	DATE	BY	SHEET
A	4/3/2018	MAL	2 OF 3

