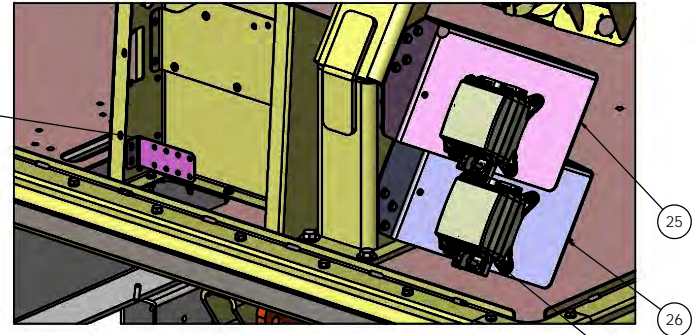
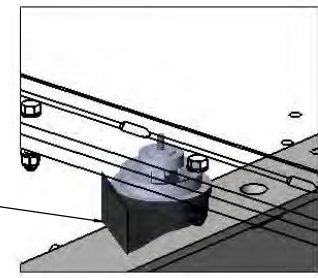


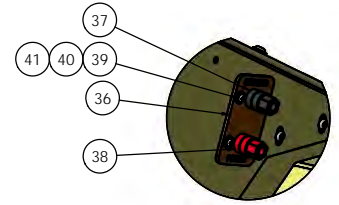
BATTERY BOX ASSEMBLY



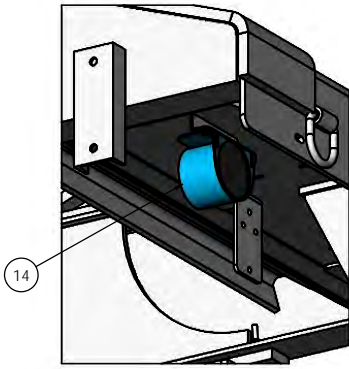
ELECTRICAL MODULES



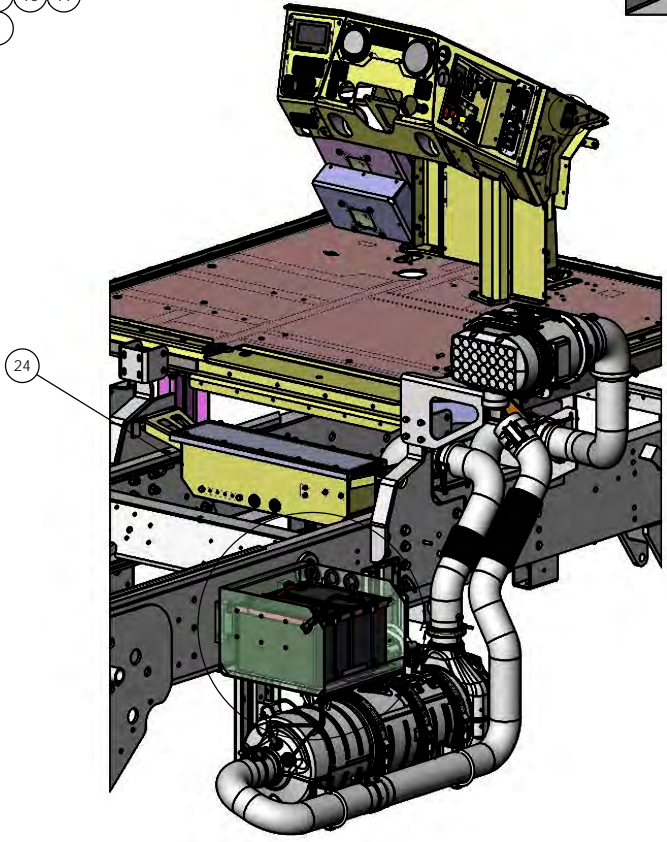
ELECTRICAL HORN



ELECTRICAL SUPPLY BOARD



BACKUP ALARM



BATTERY & WIRING OVERVIEW

DIMENSIONS ARE IN INCHES		NAME	DATE	TICO MANUFACTURING 88 CYPRUS ROAD DR. ROCKLAND, NC 29086 (843) 717-2226
TOLERANCES UNLESS SPECIFIED:	DRAWN	MAL	1/8/2018	
FRACTIONAL	1/16 & 3/16	CHECKED		TITLE: BATTERY & WIRING
DECIMAL	0.015 & 0.03			
ANGULAR	0.1°	APPROVED		SIZE DWG. NO. 721860-H1
FUNCTIONAL	0.1°			REV
SCALE: 1:24 [WEIGHT: 5826.34] SHEET 1 OF 1	DO NOT SCALE DRAWING			
ISSUED:	THE SUBJECT MATTER SHOWN AND DESCRIBED IN THE DRAWING AND ANY OTHER INFORMATION CONTAINED HEREIN IS THE PROPERTY OF TICO AND IS TO BE USED FOR THE PURPOSES SPECIFIED ONLY. ALL RIGHTS TO ANY PATENTS, TRADE SECRETS, AND/OR PROPRIETARY INFORMATION ARE RESERVED TO TICO. TICO MAKES NO WARRANTY, REPRESENTATION OR GUARANTEE AS TO THE ACCURACY OF THE INFORMATION CONTAINED HEREIN.			
REVISED:	SEE NOTE			
REWORK:	N/A			

TICO PRO-SPOTTER				
BATTERY & WIRING -2017, B6.7, ON ROAD				721860
ITEM	PART #	QTY/M	DESCRIPTION	
	721860-H1	REF	BATTERY & WIRING -2017, B6.7, ON ROAD	
1	200408	1	BATTERY BOX ASSEMBLY, 2-BATTERIES, HORIZONTAL ATD	
2	82474	4	BOLT, HEX, 5/8 -11 X 3-1/4 LG (BATTERY BOX TO FRAME)	
3	85094	8	WASHER, FLAT, 5/8	
4	85028	4	LOCKNUT, NYLOCK, 5/8-11	
5	12070	1	BRACKET, BATTERY STOP	
6	91814	2	BATTERY-31 SERIES, 730 CCA, 12V	
7	20075	2	BATTERY HOLD DOWN	
8	20012	4	ASSEMBLY, J-BOLT	
9	85111	8	WASHER, FLAT 1/4	
10	82381	4	BOLT, HEX 1/4-20 X 1-1/4	
11	85133	4	LOCKWASHER, 1/4	
12	20012-4	2	WASHER-PLASTIC BATTERY HOLD DOWN	
13	40210-2	2	RUBBER MAT	
NOT SHOWN	90114	4	GROMMET	
NOT SHOWN	910535	1	BUSSBAR-GROUNDING, 4 X 1/4" STUDS	
NOT SHOWN	910585	1	CABLE, 6 GAUGE, BLK, 1/4" x 3/8" x 42" LG	
NOT SHOWN	85133	4	LOCKWASHER, 1/4	
15	91249	1	BACKUP ALARM ASSEMBLY, GROTE	
NOT SHOWN	80129	2	WASHER, FENDER 1/4-20 x 1 1/4 OD	
NOT SHOWN	85111	2	WASHER, FLAT 1/4	
NOT SHOWN	85133	2	LOCKWASHER, 1/4	
NOT SHOWN	85023	2	NUT, HEX NYLOK 1/4-20	
NOT SHOWN	122564	1	BRACKET, DASH,DUAL DIAGNOSTIC PORT	
NOT SHOWN	61522	1	CABLE - 3/0, RED, 3/8" x 1/2" x 57.5" LG	
NOT SHOWN	40640	1	CABLE - 3/0 BLK BATTERY to STARTER 75" LG	
20	90843	1	CABLE - 3/0 RED BATTERY JUMPER 8.75"LG	
21	90844	1	CABLE - 3/0 BLK BATTERY JUMPER 8.75" LG	
22	90957	2	BATTERY BUSS BAR	
REV	DATE	BY		SHEET
C	4/9/2018	MAL		1 OF 1

