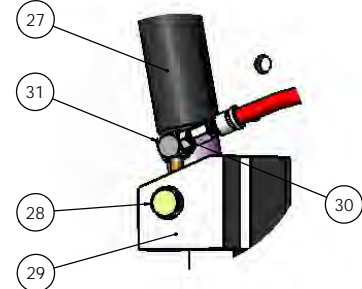


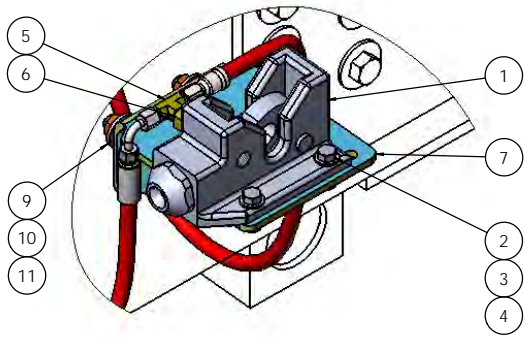
UPPER CYLINDER DETAIL



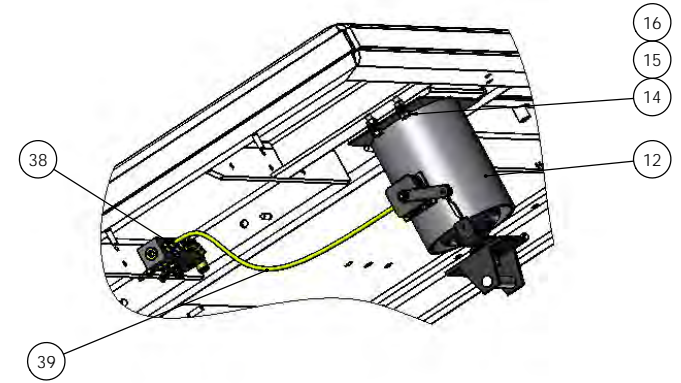
LOWER CYLINDER PIN DETAIL

DIMENSIONS ARE IN INCHES		NAME	DATE	TICO MANUFACTURING 46 CYPRUS ROAD DR. ROCKLAND, NC 27854 (843) 717-2226	
TOLERANCES UNLESS SPECIFIED:	DRAWN	MAL	5/26/2019		
FRAMES	± .005			TICO TITLE: CAB SUSPENSION-2015 ISB/OSB-IV LEFT PUMP BEHIND BUMPER	
AXLES	± .010				SIZE DWG. NO. REV
FUNCTIONAL	± .015			D 721856-C1	
INTERIOR GEOMETRIC TOLERANCING FOR ASSEMBLY	± .010			SCALE: 1:32	WEIGHT: SHEET 1 OF 3
DATE:					
REVISIONS:					

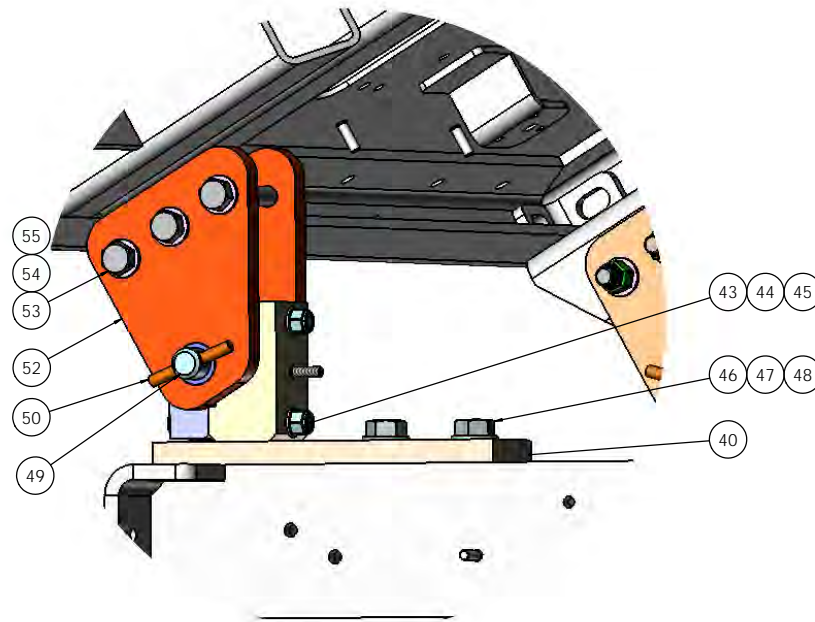
D 721856-C1



LEFT MOUNT

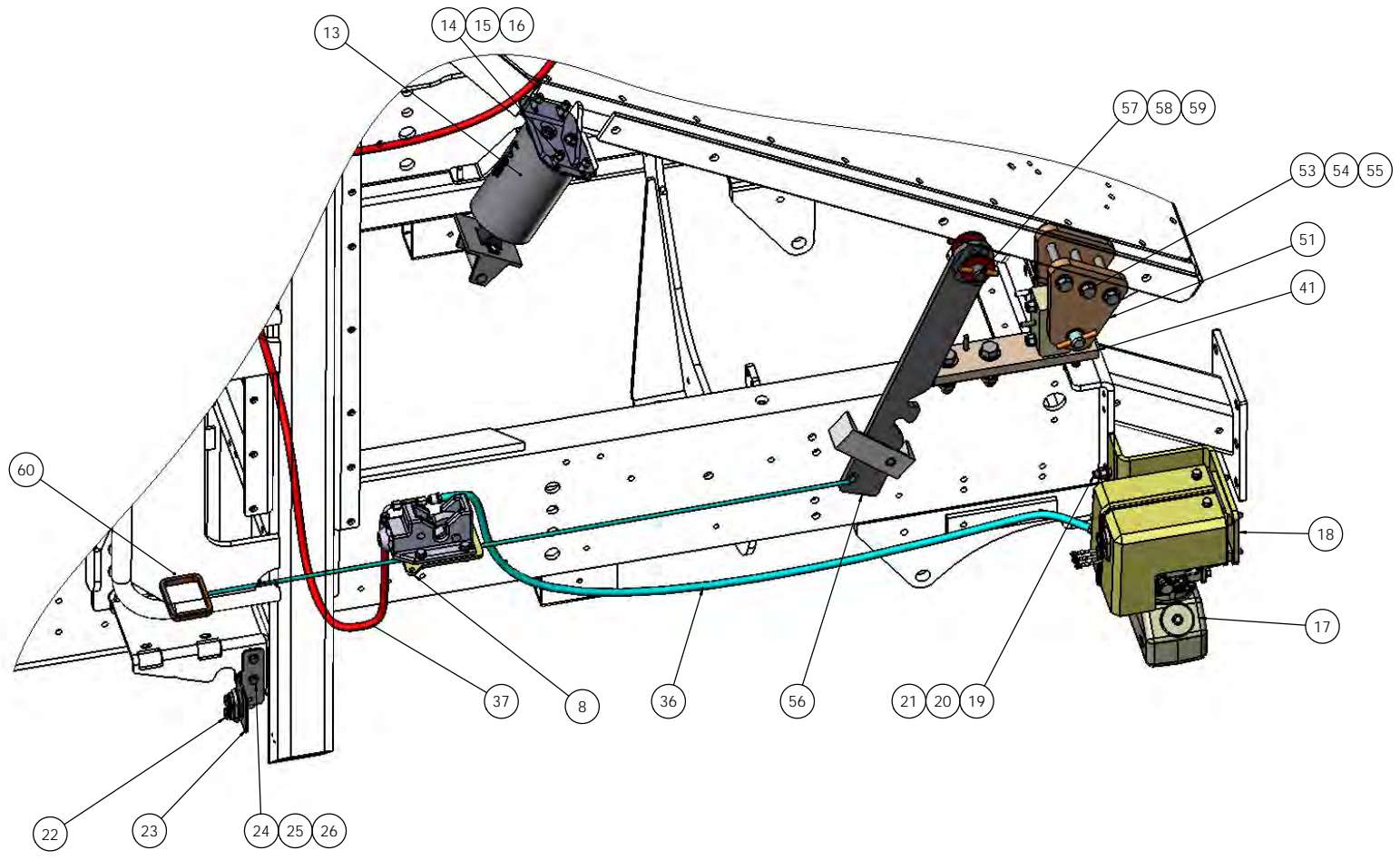


LARGE AIR BAG



LH PIVOT BLOCK DETAIL

DIMENSIONS ARE IN INCHES TOLERANCES: DECIMALS: .000 FRACTIONS: 1/16"	NAME: MAL DATE: 5/29/2019	TICO MANUFACTURING 48 CYPRESS RIDGE DR. RIDGELAND, NC 27850 TICO@FACTORS.COM
ANGULAR: ±0.1° SURFACE: 32 Ra FINISH: 32 Ra	CHECKED: APPROVED:	TICO
MATERIAL GEOMETRIC TOLERANCING PER ASME Y14.5M-1994	DOTTED SCALE DRAWING THE SUBCUT PARTS SHOWN AND DIMENSIONS TO THE DRAWING ARE NOT TO BE USED FOR MANUFACTURING UNLESS SPECIFICALLY NOTED IN THIS DRAWING. CONSULT THE ORIGINAL DRAWING FOR ALL DIMENSIONS AND TOLERANCES. ALL RIGHTS TO ANY PATENTED DESIGN OR INVENTION ARE RESERVED TO TICO MANUFACTURING, INC.	TITLE: CAB SUSPENSION-2015 ISB/CSP-IV LEFT PUMP BEHIND BUMPER
REVISIONS:	SIZE: D SCALE: 1:32 WEIGHT:	REV: 1 DWG. NO.: 721856-C1 SHEET 2 OF 3



DIMENSIONS ARE IN INCHES		NAME	DATE	TICO MANUFACTURING
TOLERANCES:		DESIGN	MAL	5/26/2019
DECIMAL		CHECKED		AS CYPRUS ROAD OR
FRACTIONAL		APPROVED		ROCKLAND, NC 27854
ANGULAR		NOTED SCALE DRAWING		TICORACTORS.COM
FRACTIONAL		THE SUBJECT MATTER SHOWN AND DESCRIBED IN THE DRAWING AND ANY OTHER INFORMATION CONTAINED HEREIN IS THE PROPERTY OF TICO. ALL RIGHTS TO ANY PATENTS, TRADEMARKS, AND COPYRIGHTS ARE RESERVED TO TICO. TICO SHALL NOT BE RESPONSIBLE FOR ANY DAMAGE TO ANY PROPERTY OR PERSONS ARISING FROM THE USE OF THIS DRAWING.		
UNLESS OTHERWISE SPECIFIED		TITLE: CAB SUSPENSION-2015		
UNLESS OTHERWISE SPECIFIED		SIZE DWG. NO. 721856-C1 REV		
UNLESS OTHERWISE SPECIFIED		SCALE: 1:32 WEIGHT: SHEET 3 OF 3		

TICO PRO-SPOTTER

CAB SUSPENSION, 2015-ISB, LIFT PUMP ASSEMBLY, BEHIND BUMPER MOUNTED

721856

ITEM	PART #	QTY/M	DESCRIPTION
1	30096-1	2	LATCH, CAB CUSHION AIR RIDE
NS	30096-5	2	WASHER, BUSHING RETAINER CAB CUSHION
2	82383	8	BOLT, HEX 3/8-16 x 1 1/4
3	85113	16	WASHER, FLAT
4	85036	8	LOCK NUT 3/8-16
5	40473	2	FITTING, STEEL TEE
6	10625	2	FITTING, ADAPTER BRASS STRAIGHT 1/4 x 1/4
7	20157	1	BRACKET, CAB CUSHION WELDMENT, LH
8	20158	1	BRACKET, CAB CUSHION WELDMENT, RH
9	82396	6	BOLT 1/2-13 X 1-1/2 Lg
10	85038	6	LOCK NUT 1/2-13
11	85115	12	WASHER, FLAT 1/2
12	30096-2	1	ASSEMBLY, AIRBAG LARGE
13	30096-3	1	ASSEMBLY, AIRBAG SMALL
	30096-5	2	WASHER, BUSHING RETAINER CAB CUSHION
14	82383	8	BOLT, HEX 3/8-16 x 1 1/4 AIRBAGS
15	85113	16	WASHER, FLAT
16	85036	8	LOCK NUT 3/8-16
17	200433	1	ASSEMBLY, CAB LIFT PUMP, RESTRICTIVE CHECK VALVE, BEHIND BUMPER MOUNT
NS	620741	1	HARNESSES-WIRES, RELOCATE CAB TILT
18	122530	1	BRACKET, CAB LIFT PUMP, BEHIND BUMPER
19	82407	3	BOLT, HEX, 1/2-13 X 1-3/4 LG
20	85027	3	LOCKNUT, NYLOCK, 1/2-13
21	85093	6	WASHER, FLAT, 1/2
22	12245	1	ALTERNATE CAB PUMP SWITCH
23	122539	1	BRACKET, CAB LIFT SWITCH, LIFT PUMP BEHIND BUMPER
24	82371	2	BOLT, HEX, 5/16-18 X 1 LG
25	85024	2	LOCKNUT, NYLOCK, 5/16-18
26	85090	4	WASHER, FLAT, 5/16
27	300377	1	CYLINDER, CAB LIFT HYDRAULIC
28	10071-4	1	PIN, CAB LIFT CYLINDER LOWER
29	40018	1	PIN, 3/8 ROLL
30	42001	1	STRAIGHT ADAPTER 1/4 O-RING TO 1/4 JIC
31	420314	1	VALVE, VELOCITY FUSE, 90° SWIVEL, 0.2 TO 4.0 GPM, CLOSING FLOW 0.8 GPM
32	90341	1	PIN - UPPER LIFT CYLINDER
33	40018	1	PIN - 3/8 ROLL
34	85119	9	WASHER, FLAT 1"

REV	DATE	BY	SHEET
C	5/29/2019	MAL	1 OF 1

TICO PRO-SPOTTER				
CAB SUSPENSION, 2015-ISB, LIFT PUMP ASSEMBLY, BEHIND BUMPER MOUNTED				721856
ITEM	PART #	QTY/M	DESCRIPTION	
35	41151	1	HOSE ASSY- NO 4, OAL 41 1/2LG, STR/90°	
36	41297	1	HOSE ASSY - NO 4, OAL 63" LG, STR/STR	
37	41228	1	HOSE ASSY-NO 4, OAL 80 1/2LG, STR/90°	
38	40833	1	FITTING, STR ADAPTER, 3/8" NPTM X 1/4" TUBE, PUSH-ON, BRASS	
39	11000	20IN	TUBE, 1/4 OD AIR BRAKE (YELLOW) x 20" Lg	
NS	41069	1	LOOM 1/4" ID - DELL CITY P/N 783	
NS	41069	1	LOOM 1/4" ID - DELL CITY P/N 783	
40	121021	1	BLOCK ASS'Y, LH CAB PIVOT, GALV	
41	121020	1	BLOCK ASS'Y, RH CAB PIVOT, GALV	
42	90688	2	BUSHING, MOD RUBBER CAB PIVOT 2.06 OD	
43	82528	4	BOLT 1/2-13 X 4-1/4 Lg	
44	85115	8	WASHER, FLAT 1/2	
45	85038	4	LOCK NUT 1/2-13	
46	82464	4	BOLT 3/4-10 X 3 Lg	
47	85040	4	LOCK NUT 3/4-10	
48	85117	8	WASHER, FLAT 3/4	
49	121010	2	PIN, CAB PIVOT	
50	40018	4	PIN, 3/8 ROLL x 2"	
51	121013	2	PLATE ASS'Y, RH GALV CAB PIVOT	
52	121015	2	PLATE ASS'Y, LH GALV CAB PIVOT	
53	82595	6	BOLT 5/8-11 X 6 Lg	
54	85116	12	WASHER, FLAT 5/8	
55	85028	6	LOCK NUT 5/8-11	
56	12361	1	LATCH, CAB SAFETY BAR	
57	10945-3	1	PIN, 1" CAB SAFETY LATCH BAR	
58	40018	2	PIN, 3/8 ROLL x 2"	
59	85119	2	WASHER, FLAT 1"	
60	12924	1	ISB 2013 REDESIGN CAB LATCH HANDLE	
NS	85111	2	WASHER, FLAT 1/2	
NS	80148	1	COTTER PIN, 1/8	
NS	40593	1	CLAMP, P 1" ID	
NS	12815	1	BRACKET - CAB FLOOR FENDER, STUD ADAPTER (CAB LATCH HANDLE)	
NS	82371	2	BOLT, 5/16-18 X 1 LG	
NS	85024	2	LOCK NUT, 5/16-18	
NS	85090	4	WASHER, FLAT 5/16	
NS	41273	1	CLAMP, P 1/2" ID	
REV	DATE	BY		SHEET
C	5/29/2019	MAL		2 OF