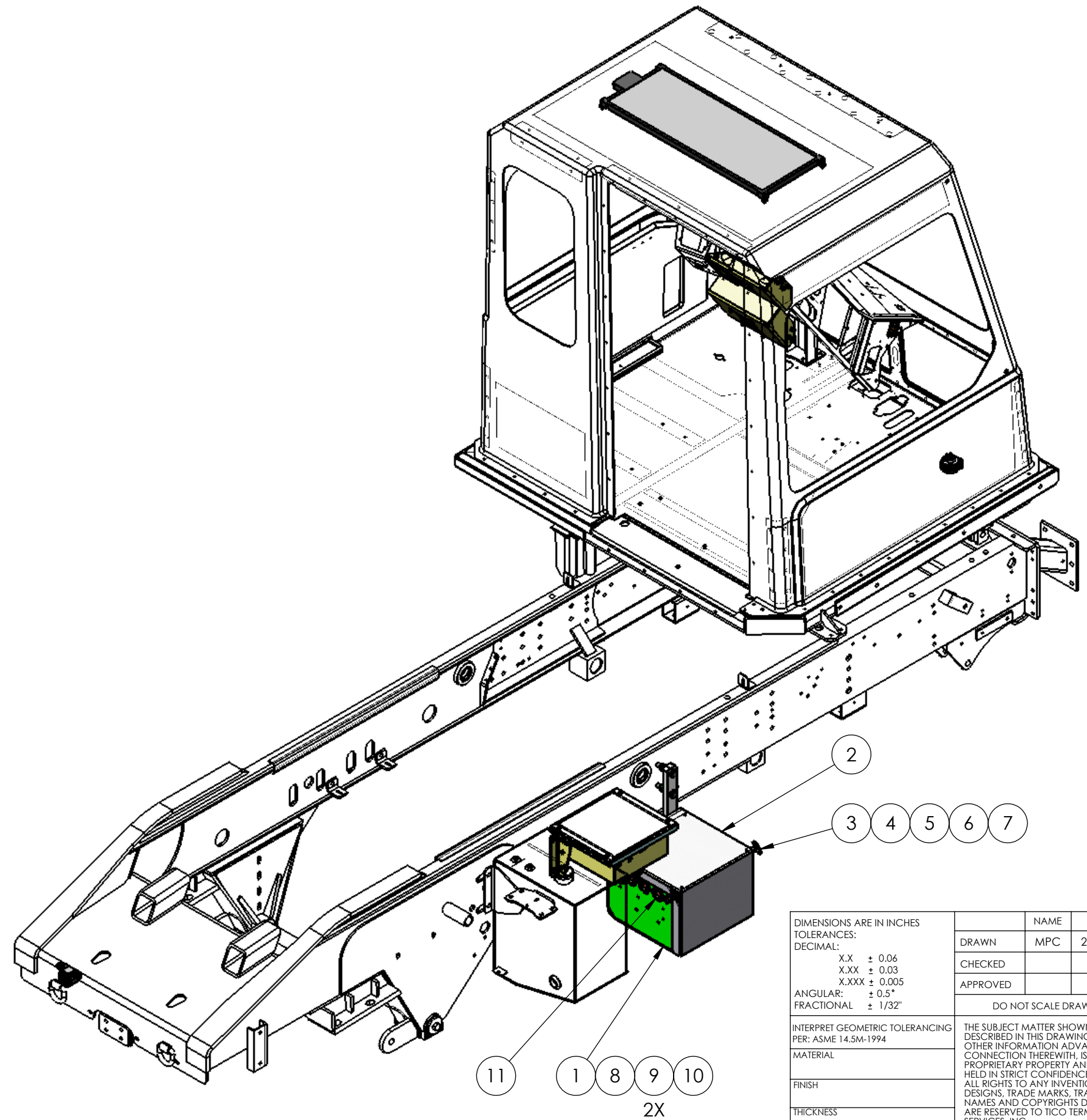


8 7 6 5 4 3 2 1

D
C
B
A

D
C
B
A



DIMENSIONS ARE IN INCHES
TOLERANCES:
DECIMAL:
X.X ± 0.06
X.XX ± 0.03
X.XXX ± 0.005
ANGULAR: ± 0.5°
FRACTIONAL ± 1/32"


INTERPRET GEOMETRIC TOLERANCING PER: ASME 14.5M-1994

MATERIAL

FINISH

THICKNESS

	NAME	DATE
DRAWN	MPC	2/1/2018
CHECKED		
APPROVED		
DO NOT SCALE DRAWING		
<small>THE SUBJECT MATTER SHOWN AND DESCRIBED IN THIS DRAWING AND ANY OTHER INFORMATION ADVANCED IN CONNECTION THEREWITH, IS PROPRIETARY PROPERTY AND IS TO BE HELD IN STRICT CONFIDENCE BY YOU. ALL RIGHTS TO ANY INVENTIONS, DESIGNS, TRADE MARKS, TRADE NAMES AND COPYRIGHTS DISCLOSED ARE RESERVED TO TICO TERMINAL SERVICES, INC.</small>		

TICO  TICO/TERMINAL SERVICE
66 CYPRESS RIDGE DR.
RIDGELAND, SC 29936
(843) 717-2226

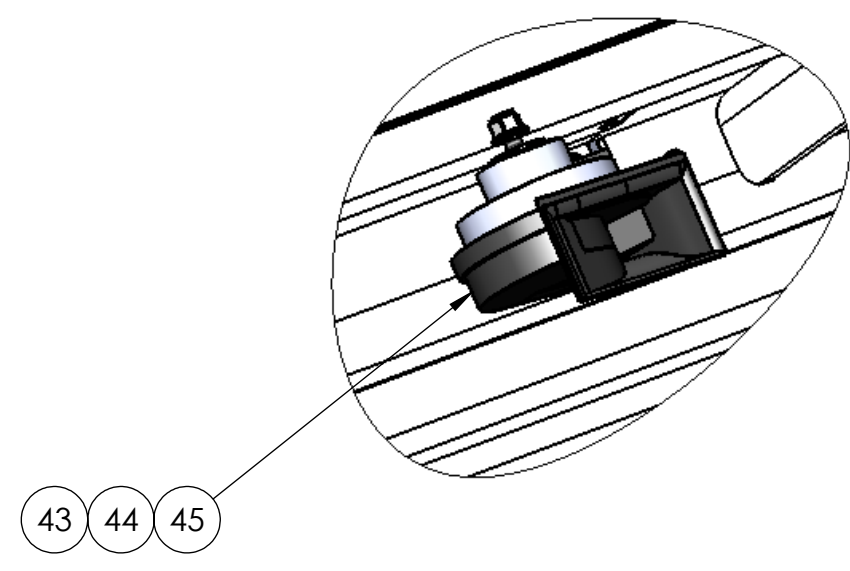
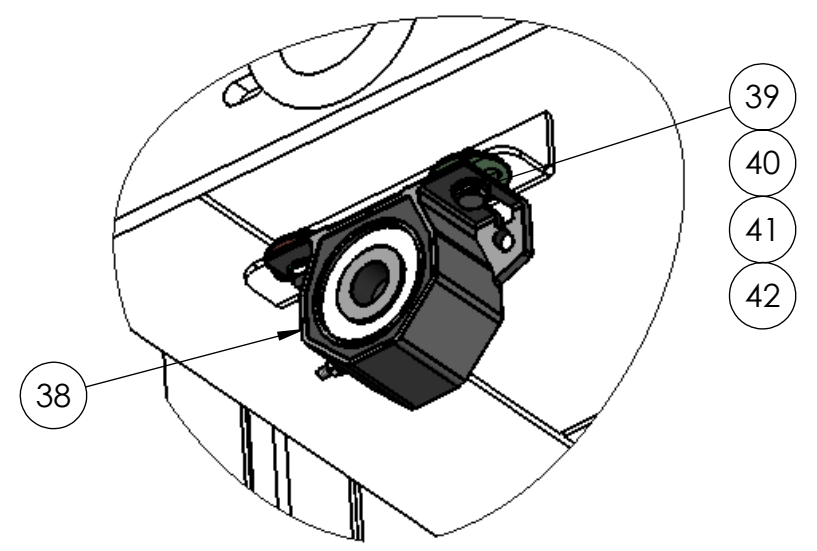
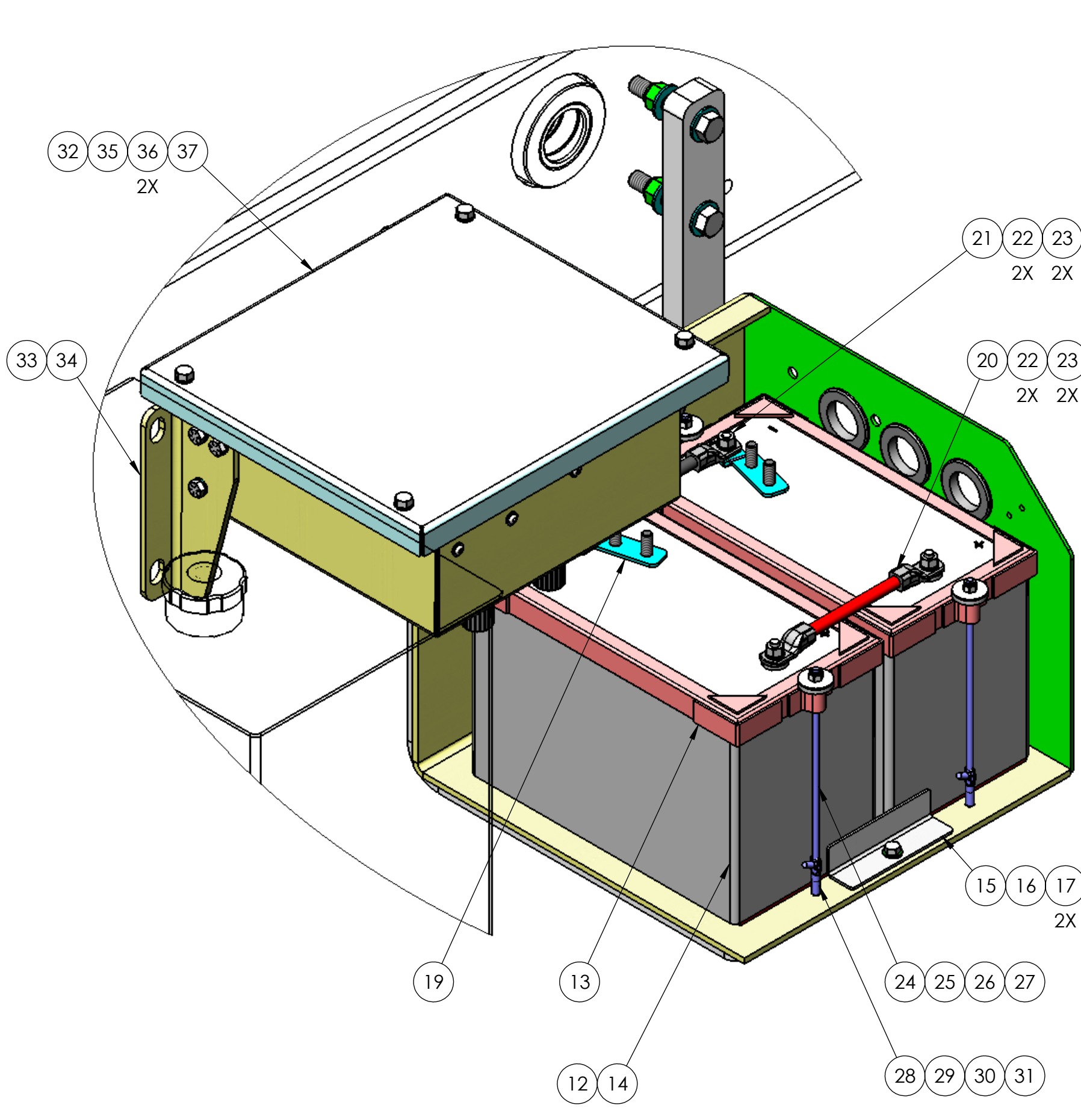
TITLE: **ASSEMBLY, BATTERY & WIRING**

SIZE B	DWG. NO. 721824-F1	REV F
SCALE: 1:18	WEIGHT:	SHEET 1 OF 3

8 7 6 5 4 3 2 1

8 7 6 5 4 3 2 1

D
C
B
A



DIMENSIONS ARE IN INCHES
TOLERANCES:
DECIMAL:
X.X ± 0.06
X.XX ± 0.03
X.XXX ± 0.005
ANGULAR: ± 0.5°
FRACTIONAL ± 1/32"

INTERPRET GEOMETRIC TOLERANCING PER: ASME 14.5M-1994

MATERIAL

FINISH

THICKNESS

	NAME	DATE
DRAWN	MPC	2/1/2018
CHECKED		
APPROVED		
DO NOT SCALE DRAWING		
<small>THE SUBJECT MATTER SHOWN AND DESCRIBED IN THIS DRAWING AND ANY OTHER INFORMATION ADVANCED IN CONNECTION THEREWITH, IS PROPRIETARY PROPERTY AND IS TO BE HELD IN STRICT CONFIDENCE BY YOU. ALL RIGHTS TO ANY INVENTIONS, DESIGNS, TRADE MARKS, TRADE NAMES AND COPYRIGHTS DISCLOSED ARE RESERVED TO TICO TERMINAL SERVICES, INC.</small>		

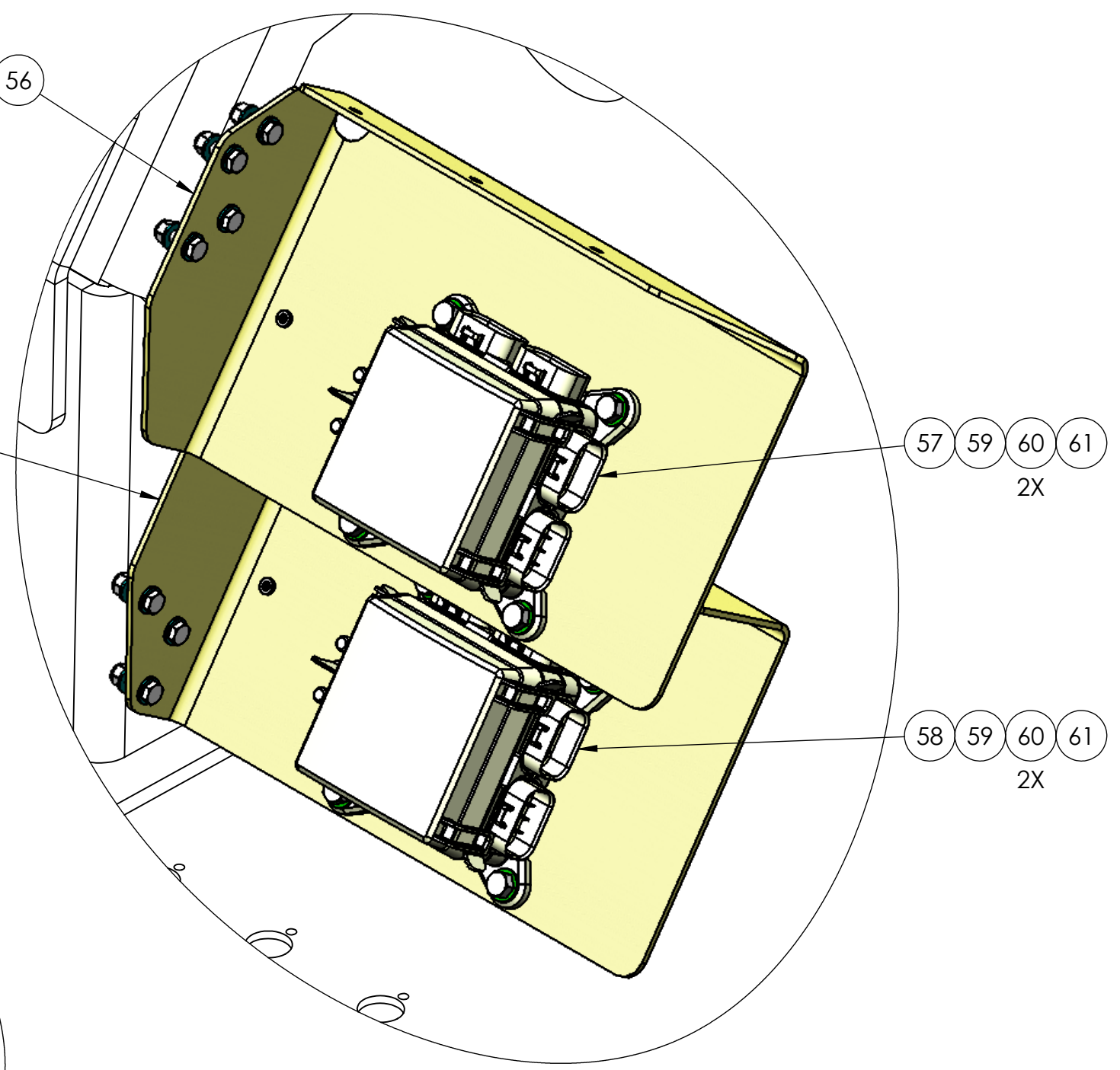
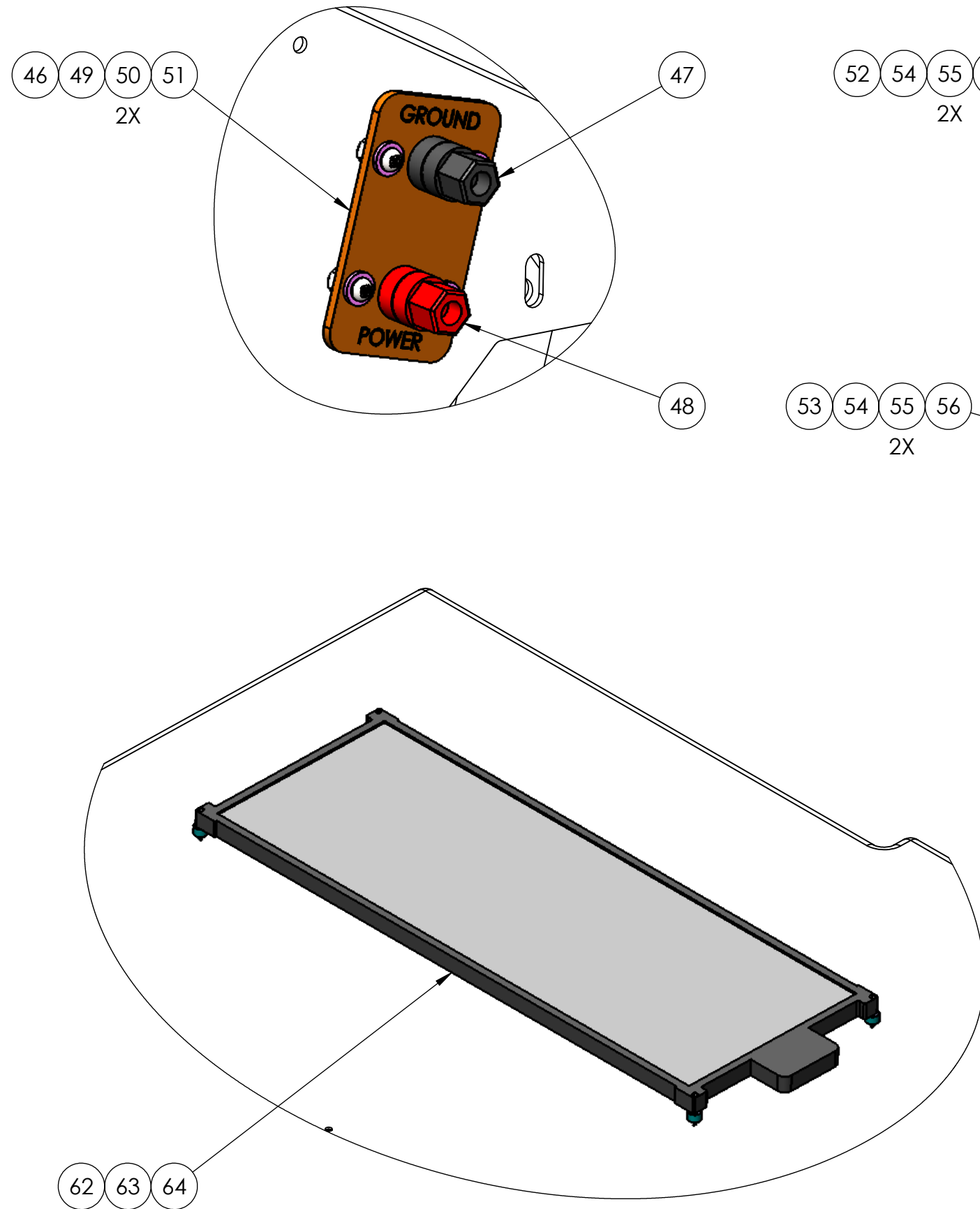
			TICO/TERMINAL SERVICE 66 CYPRESS RIDGE DR. RIDGELAND, SC 29936 (843) 717-2226		
TITLE: ASSEMBLY, BATTERY & WIRING					
SIZE	DWG. NO.			REV	
B	721824-F1			F	
SCALE: 1:14		WEIGHT:		SHEET 2 OF 3	


8 7 6 5 4 3 2 1

8 7 6 5 4 3 2 1

D
C
B
A

D
C
B
A



DIMENSIONS ARE IN INCHES		NAME	DATE	 TICO/TERMINAL SERVICE 66 CYPRESS RIDGE DR. RIDGELAND, SC 29936 (843) 717-2226	
TOLERANCES:		DRAWN	MPC		2/1/2018
DECIMAL:		CHECKED			
X.X ± 0.06 X.XX ± 0.03 X.XXX ± 0.005 ANGULAR: ± 0.5° FRACTIONAL ± 1/32"		APPROVED			
INTERPRET GEOMETRIC TOLERANCING PER: ASME 14.5M-1994		DO NOT SCALE DRAWING			TITLE: ASSEMBLY, BATTERY & WIRING
MATERIAL		THE SUBJECT MATTER SHOWN AND DESCRIBED IN THIS DRAWING AND ANY OTHER INFORMATION ADVANCED IN CONNECTION THEREWITH, IS PROPRIETARY PROPERTY AND IS TO BE HELD IN STRICT CONFIDENCE BY YOU. ALL RIGHTS TO ANY INVENTIONS, DESIGNS, TRADE MARKS, TRADE NAMES AND COPYRIGHTS DISCLOSED ARE RESERVED TO TICO TERMINAL SERVICES, INC.			SIZE: B
FINISH					DWG. NO. 721824-F1
THICKNESS					REV F
		SCALE: 1:14		WEIGHT:	SHEET 3 OF 3

8 7 6 5 4 3 2 1

TICO PRO-SPOTTER				
			ASSEMBLY, BATTERY & WIRING	721824
ITEM	PART #	QTY	DESCRIPTION	NOTE
NOT SHOWN	910434	1	FUSE, MAXI, 60 AMP	
NOT SHOWN	910435	1	FUSE, MAXI, 80 AMP	
NOT SHOWN	910436	1	RELAY, 70 AMP, POWER RELAY, CAB IGNITION	
NOT SHOWN	910518	2	RELAY, MICRO, 35 AMP, 12 VOLT, DC	
NOT SHOWN	91021	3	FUSE 5A, F18/F19/F20	
NOT SHOWN	91023	12	FUSE 10A, F2/F3/F4/F5/F6/F7/F8/F9/F10/F21/F22/F23	
NOT SHOWN	91024	1	FUSE 15A, F11	
NOT SHOWN	91025	7	FUSE 20A, F1/F12/F14/F15/F16/F17/F24	
NOT SHOWN	91027	1	FUSE 30A, F13	
NOT SHOWN	122044	1	BRACKET, CABLE MANAGEMENT	
NOT SHOWN	910535	1	BUSSBAR, GROUNDING, 4 X 1/4 STUDS	
NOT SHOWN	910585	1	CABLE, 6 GAUGE, BLACK, 1/4 X 3/8 X 42 LONG	
NOT SHOWN	62167	1	HARNESS, BACKUP ALARM	
NOT SHOWN	620856	1	HARNESS, WIRE, DOOR CONTROL RELAYS	
NOT SHOWN	620867	1	HARNESS, WIRE, MAIN DASH, DIESEL ENGINES, v2.0, NO HEADLIGHT S	
NOT SHOWN	620901	1	HARNESS, WIRE, ALL POWER OFF WITH ENGINE SHUT DOWN	
NOT SHOWN	61521	1	HARNESS, WIRE, CAB ACC. (1 FANS/DOME LGT)	
NOT SHOWN	620631-2	1	HARNESS, WIRE, CHASSIS INTERFACE, FRONT MOUNT PDC, BRAID	
NOT SHOWN	61535	1	HARNESS, WIRE, TAIL LIGHTS, 116" WB	
NOT SHOWN	910428	3	STUD, FEED THRU, RED, 3/8-16	
NOT SHOWN	910429	1	STUD, FEED THRU, BLACK, 3/8-16	
NOT SHOWN	91229	6	COVER, BATTERY POST (RED)	
NOT SHOWN	910325	1	CABLE, 3/0, RED, 48" (BATTERY TO STARTER)	
NOT SHOWN	91223	1	CABLE, 3/0, BLACK, 56" (BATTERY TO STARTER)	
NOT SHOWN	910508	1	CABLE, 2/0, RED, 24" (BATTERY TO PDC)	
NOT SHOWN	910509	1	CABLE, 6 GAUGE, BLACK, 30" (BATTERY TO PDC)	
NOT SHOWN	910510	1	CABLE, 6 GAUGE, BLACK, 5/16 X 5/16 X 42 LONG	
NOT SHOWN	910564	1	CABLE, 6 GAUGE, BLACK, 5/16 X 5/16 X 32 LONG	
NOT SHOWN	910442	1	CABLE, 6 GAUGE, RED, 3/8 X 5/16 X 37-1/2 LONG	
NOT SHOWN	910441	1	CABLE, 6 GAUGE, RED, 3/8 X 5/16 X 36 LONG	
NOT SHOWN	910440	1	CABLE, 6 GAUGE, RED, 3/8 X 5/16 X 12 LONG	
NOT SHOWN	910439	1	CABLE, 6 GAUGE, RED, 3/8 X 5/16 X 8-1/2 LONG	
NOT SHOWN	910512	1	CABLE, 2 GAUGE, RED, 5/16 X 3/8 X 185 LONG	
NOT SHOWN	910511	1	CABLE, 2 GAUGE, RED, 3/8 X 3/8 X 52 LONG	
NOT SHOWN	910536	1	CABLE, 2/0, BLACK, 5/16 X 3/8 X 172 LONG	
NOT SHOWN	910513	1	CABLE, 2/0, RED, 5/16 X 3/8 X 185 LONG	
NOT SHOWN	91308	1	ASSEMBLY, WIRE, 6 GAUGE, BLACK, 5/16 X 5/16 X 6-1/2 LONG	
REV	DATE	BY		SHEET
F	02/01/2018	MPC		3
				OF
				3

TICO MANUFACTURING - RIDGELAND, SC 29936