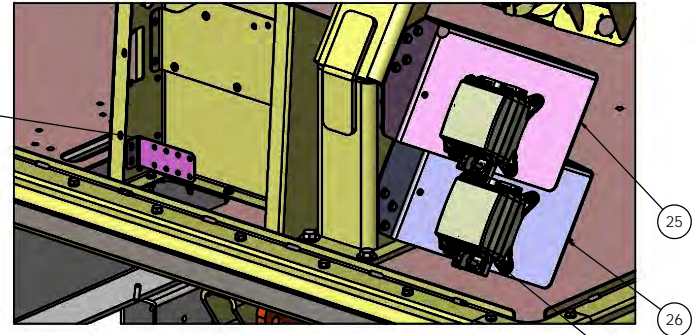
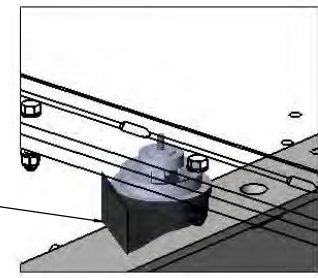


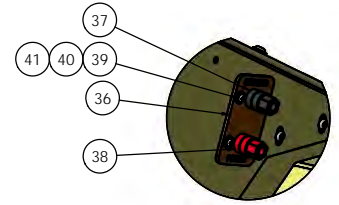
BATTERY BOX ASSEMBLY



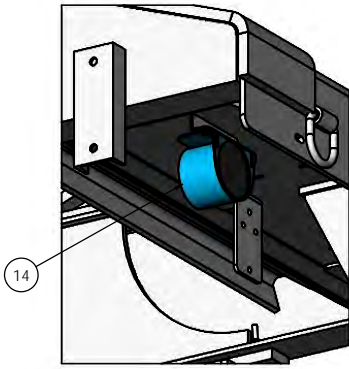
ELECTRICAL MODULES



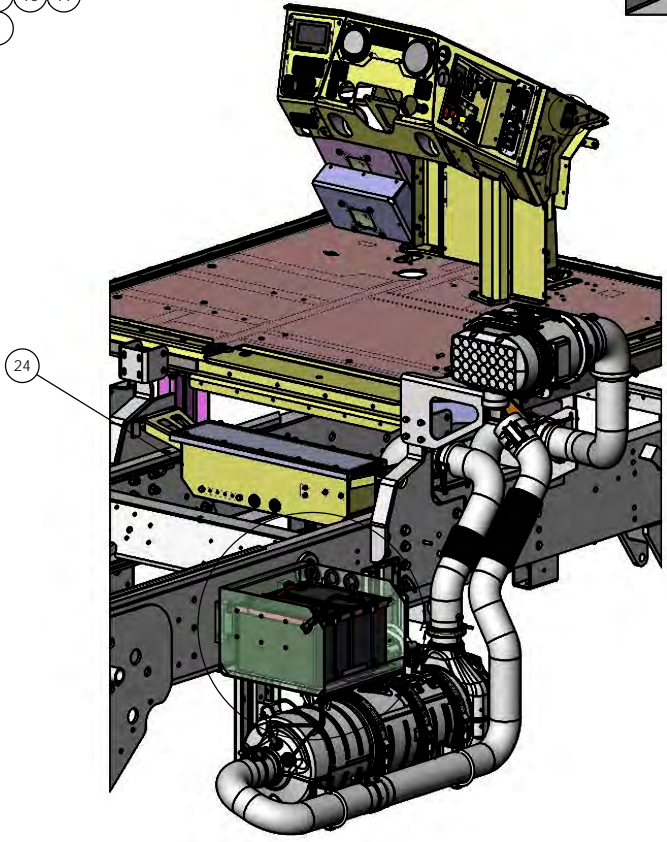
ELECTRICAL HORN



ELECTRICAL SUPPLY BOARD



BACKUP ALARM



BATTERY & WIRING OVERVIEW

DIMENSIONS ARE IN INCHES		NAME	DATE	TICO MANUFACTURING 88 CYPRESS RIDGE DR. ROCKLAND, NC 29086 (843) 717-2226
TOLERANCES UNLESS SPECIFIED:	DRAWN	MAL	1/8/2018	
FRACTIONAL .125	CHECKED			TITLE: BATTERY & WIRING
DECIMAL .005	APPROVED			SIZE DWG. NO. 721821-C1
ANGULAR .010*				REV
FRACTIONAL .010*	DO NOT SCALE DRAWING			SCALE: 1:24 [WEIGHT: 5826.34] SHEET 1 OF 1
UNLESS SPECIFIED:	THE SUBJECT MATTER SHOWN AND DESCRIBED IN THE DRAWING AND ANY OTHER INFORMATION CONTAINED HEREIN IS THE PROPERTY OF TICO AND IS TO BE USED FOR THE PURPOSES SPECIFIED ONLY. ALL RIGHTS TO ANY PATENTS, TRADE SECRETS, AND/OR PROPRIETARY INFORMATION ARE RESERVED TO TICO. TICO ASSUMES NO LIABILITY FOR ANY DAMAGE OR INJURY TO PERSONS OR PROPERTY CAUSED BY THE USE OF THIS DRAWING.			
UNLESS SPECIFIED:	SEE NOTE			
REVISIONS:	DATE	BY	REASON	
1				

