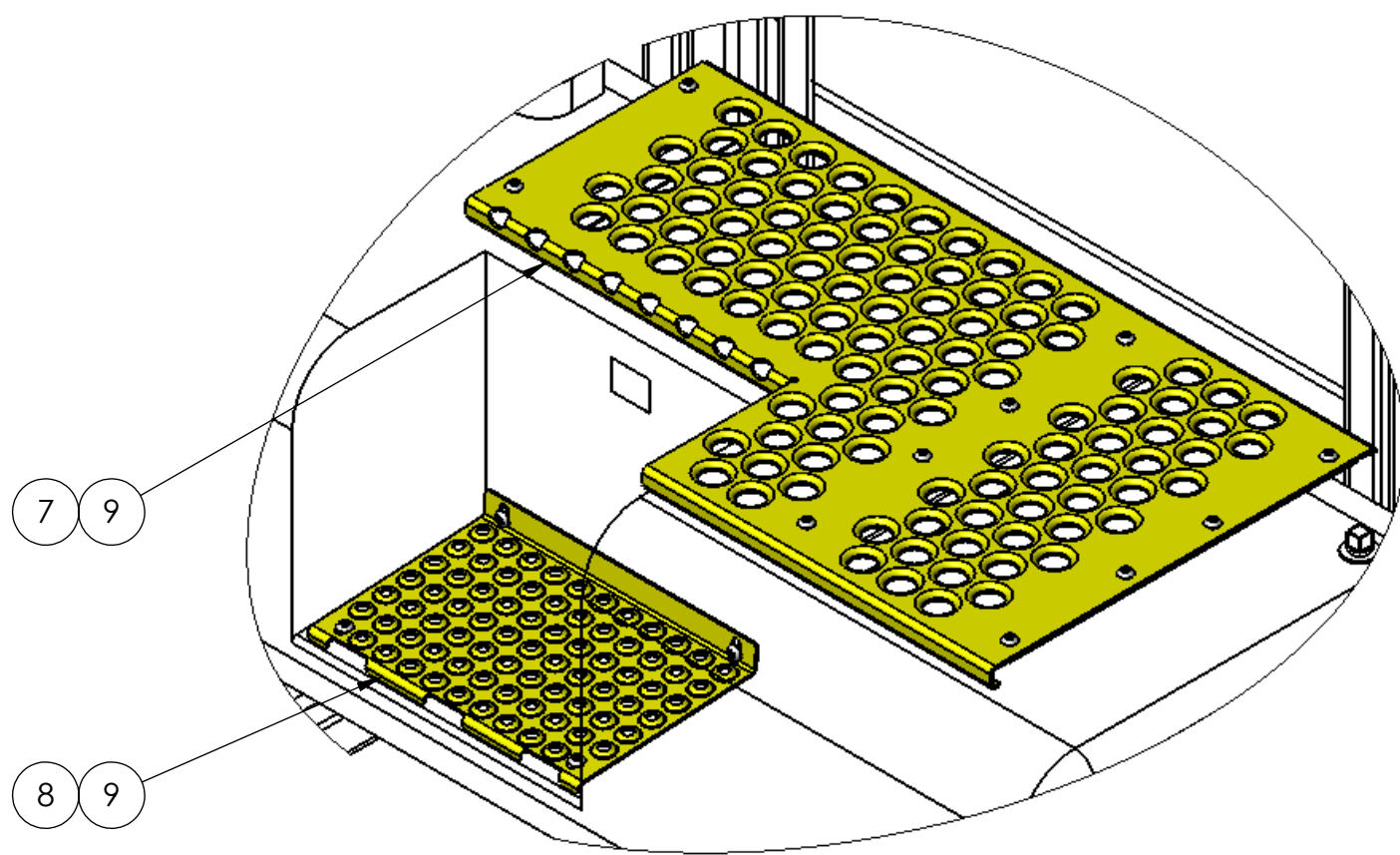
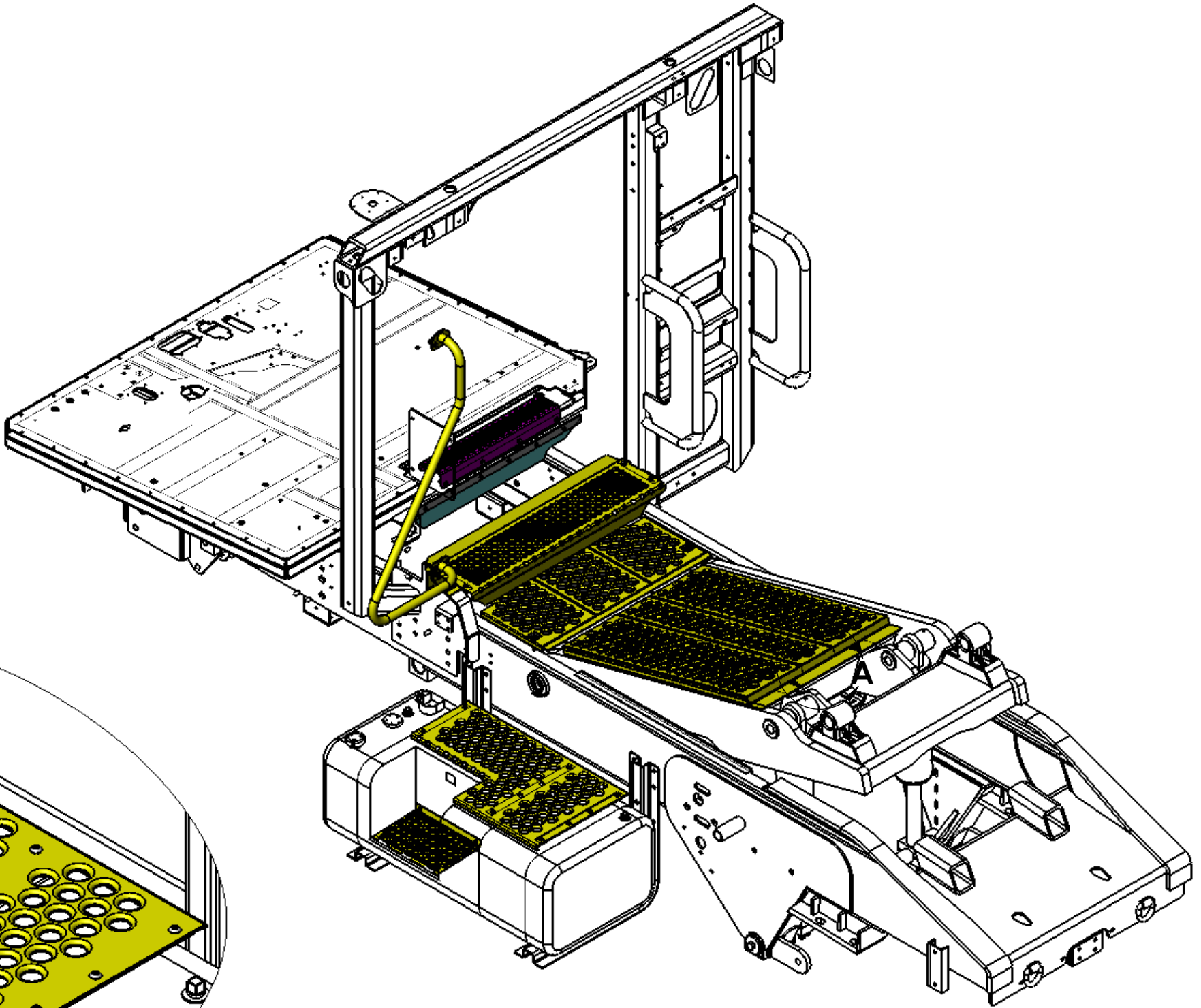
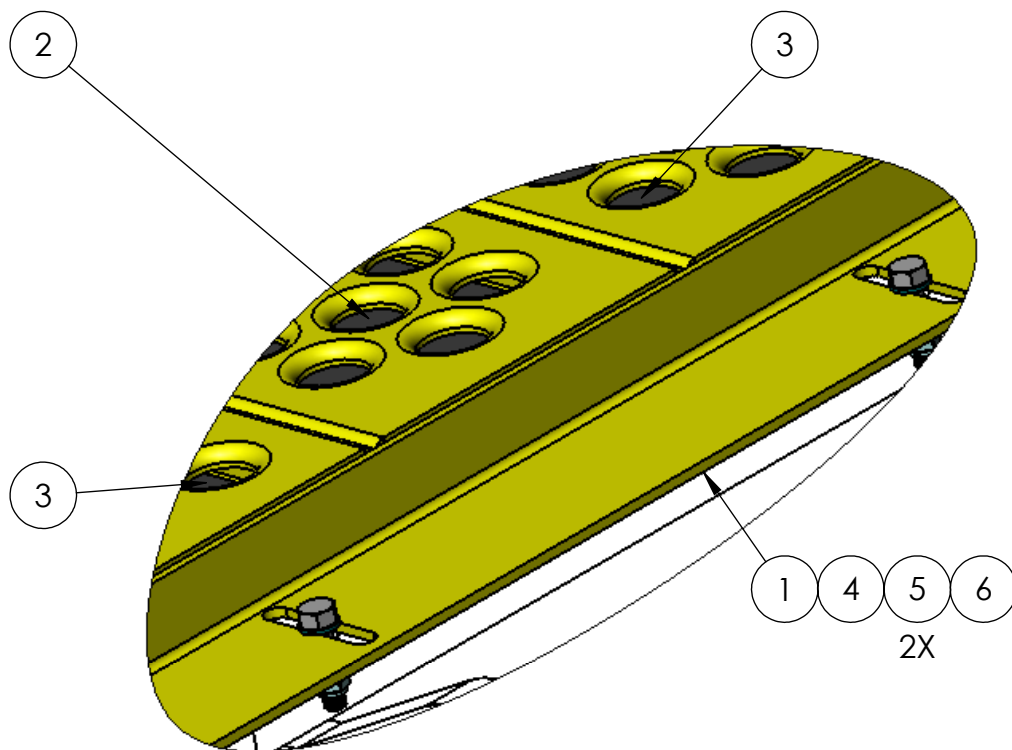



8 7 6 5 4 3 2 1

D
C
B
A

D
C
B
A



DIMENSIONS ARE IN INCHES TOLERANCES: DECIMAL: X.X ± 0.06 X.XX ± 0.03 X.XXX ± 0.005 ANGULAR: ± 0.5° FRACTIONAL ± 1/32"	NAME	DATE	 TICO MANUFACTURING 66 CYPRESS RIDGE DR. RIDGELAND, SC 29936 (843) 717-2226	
	DRAWN	MPC		02/02/2018
	CHECKED	---		---
	APPROVED	---		---
DO NOT SCALE DRAWING			TITLE: ASSEMBLY, COVERS & GRATINGS	
MATERIAL N/A	THE SUBJECT MATTER SHOWN AND DESCRIBED IN THIS DRAWING AND ANY OTHER INFORMATION ADVANCED IN CONNECTION THEREWITH, IS PROPRIETARY PROPERTY AND IS TO BE HELD IN STRICT CONFIDENCE BY YOU. ALL RIGHTS TO ANY INVENTIONS, DESIGNS, TRADE MARKS, TRADE NAMES AND COPYRIGHTS DISCLOSED ARE RESERVED TO TICO TERMINAL SERVICES, INC.		SIZE B	
FINISH N/A			DWG. NO. 721818-A1	
THICKNESS N/A			REV A	
SCALE: 1:20		WEIGHT:	SHEET 1 OF 2	

8 7 6 5 4 3 2 1

8 7 6 5 4 3 2 1

D

D

C

C

B

B

A

A

23 24 25 26
2X

14 17 18

27 28 29 30 31
2X

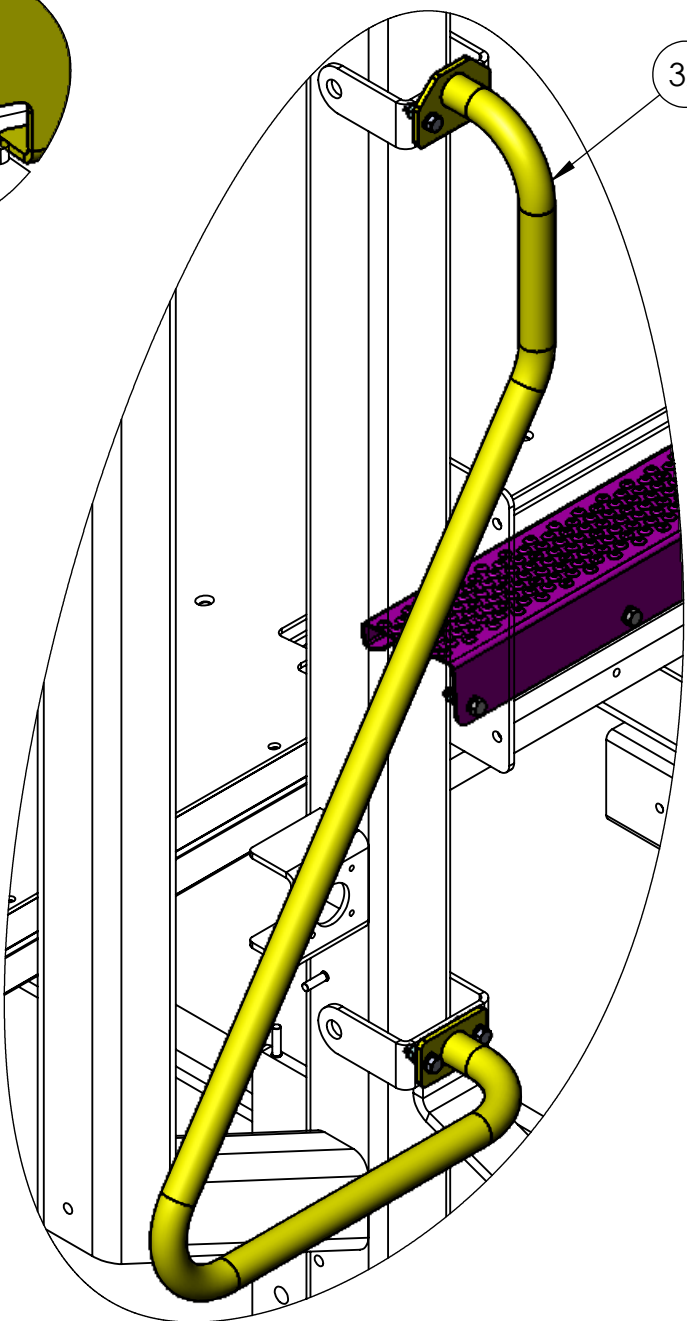
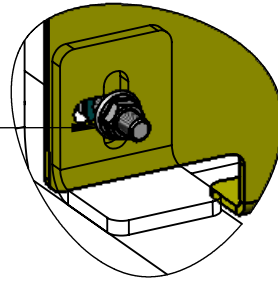
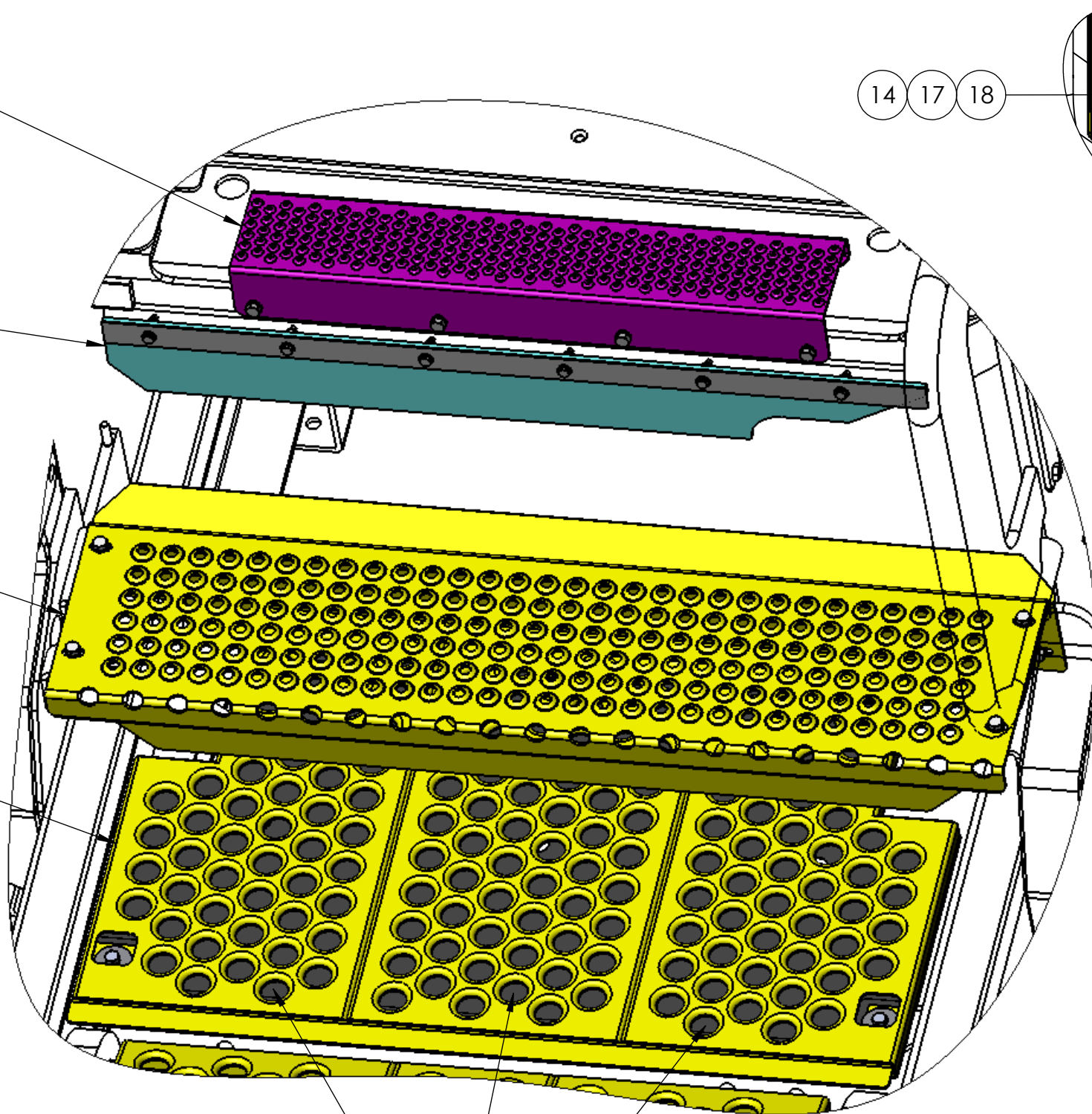
32 33 34 35
2X


19 20 21 22
2X

10 13 15 16

12

11



DIMENSIONS ARE IN INCHES TOLERANCES: DECIMAL: X.X ± 0.06 X.XX ± 0.03 X.XXX ± 0.005 ANGULAR: ± 0.5° FRACTIONAL ± 1/32"	DRAWN MPC	NAME MPC	DATE 02/02/2018	 TICO/TERMINAL SERVICE 66 CYPRESS RIDGE DR. RIDGELAND, SC 29936 (843) 717-2226		
	CHECKED ---	APPROVED ---	TITLE: ASSEMBLY, COVERS & GRATINGS			
	DO NOT SCALE DRAWING		SIZE B		DWG. NO. 721818-A1	REV A
INTERPRET GEOMETRIC TOLERANCING PER: ASME 14.5M-1994	THE SUBJECT MATTER SHOWN AND DESCRIBED IN THIS DRAWING AND ANY OTHER INFORMATION ADVANCED IN CONNECTION THEREWITH, IS PROPRIETARY PROPERTY AND IS TO BE HELD IN STRICT CONFIDENCE BY YOU. ALL RIGHTS TO ANY INVENTIONS, DESIGNS, TRADE MARKS, TRADE NAMES AND COPYRIGHTS DISCLOSED ARE RESERVED TO TICO TERMINAL SERVICES, INC.			SCALE: 1:20	WEIGHT:	SHEET 2 OF 2
MATERIAL N/A						
FINISH N/A						
THICKNESS N/A						

8 7 6 5 4 3 2 1

TICO PRO-SPOTTER					
			ASSEMBLY, COVERS & GRATINGS	721818	
ITEM	PART #	QTY	DESCRIPTION	NOTE	
	721818-A1	REF	ASSEMBLY, COVERS & GRATINGS		
1	30313	1	GRATING, BOOM COVER, OPEN GRIP PATTERN (YELLOW)		
2	30249	1	HEAT SHIELD, 7"		
3	30250	2	HEAT SHIELD, 12"		
4	82394	2	BOLT, HEX HEAD, 3/8-16 X 1-1/2 LONG		
5	85091	4	WASHER, FLAT, 3/8		
6	85025	2	LOCKNUT, NYLON, 3/8-16		
7	300446	1	GRATING, STEP FORWARD, OPEN GRIP PATTERN, TOP (YELLOW)		
8	30316	1	GRATING, STEP FORWARD, OPEN GRIP PATTERN, BOTTOM (YELLOW)		
9	80378	14	CAPSCREW, BUTTON HEAD, STAINLESS STEEL, 3/8-16 X 1/2 LONG		
10	30356	1	GRATING, TRANSMISSION COVER, OPEN GRIP PATTERN, (YELLOW)		
11	30258	2	HEAT SHIELD, TRANSMISSION COVER (OUTER)		
12	30257	1	HEAT SHIELD, TRANSMISSION COVER (MIDDLE)		
13	80384	2	BOLT, HEX HEAD, STAINLESS STEEL, 3/8-16 X 2 LONG		
14	80316	2	BOLT, HEX HEAD, STAINLESS STEEL, 3/8-16 X 1-1/4 LONG		
15	85135	2	LOCKWASHER, FLAT, 3/8		
16	50162-9	2	WASHER, 1-5/8 OD X 13/32 ID X 1/8 THICK		
17	85091	2	WASHER, FLAT, 3/8		
18	80205	2	NUT, FLANGE, 3/8-16		
19	30319	1	GRATING, CAB STEP UP, OPEN GRIP PATTERN (YELLOW)		
20	80317	4	BOLT, HEX HEAD, STAINLESS STEEL, 3/8-16 X 1-1/2 LONG		
21	85091	8	WASHER, FLAT, 3/8		
22	85025	4	LOCKNUT, NYLON, 3/8-16		
23	121356	1	TREAD PLATE, ENTRY, GALVANIZED		
24	82394	4	BOLT, HEX HEAD, 3/8-16 X 1-1/2 LONG		
25	85091	8	WASHER, FLAT, 3/8		
26	85025	4	LOCKNUT, NYLON, 3/8-16		
27	910534	1	BAFFLE, SOUND DAMPNER, REAR		
28	91926-1	1	PLATE, CLAMP, BAFFLE		
29	82381	6	BOLT, HEX HEAD, 1/4-20 X 1-1/4 LONG (RUBBER TO FLOOR)		
30	85089	12	WASHER, FLAT, 1/4		
31	85023	6	LOCKNUT, NYLON, 1/4-20		
32	12802	1	HANDRAIL, SLOPED, LEFT-HAND (YELLOW)		
33	82383	4	BOLT, HEX HEAD, 3/8-16 X 1-1/4 LONG		
34	85091	8	WASHER, FLAT, 3/8		
35	85025	4	LOCKNUT, NYLON, 3/8-16		
REV	DATE	BY		SHEET	1
A	02/02/2018	MPC		OF	1

TICO MANUFACTURING - RIDGELAND, SC 29936