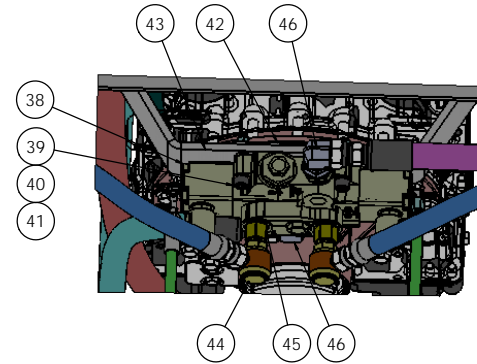
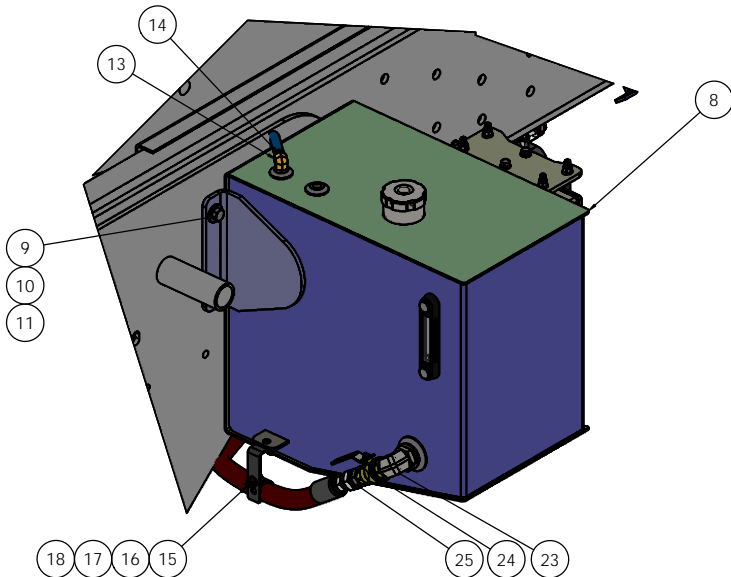


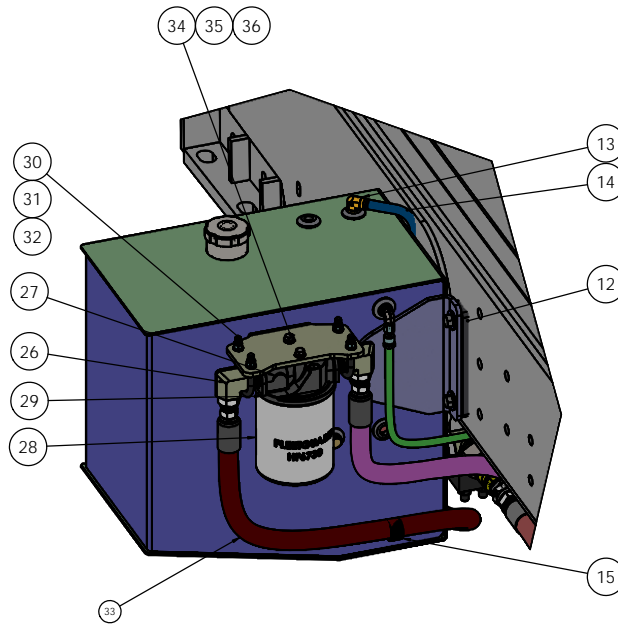
HYDRAULIC PUMP



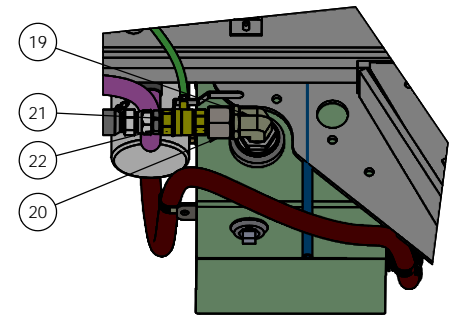
DCV VALVE ASSEMBLY



HYDRAULIC TANK  
REAR-TOP VIEW



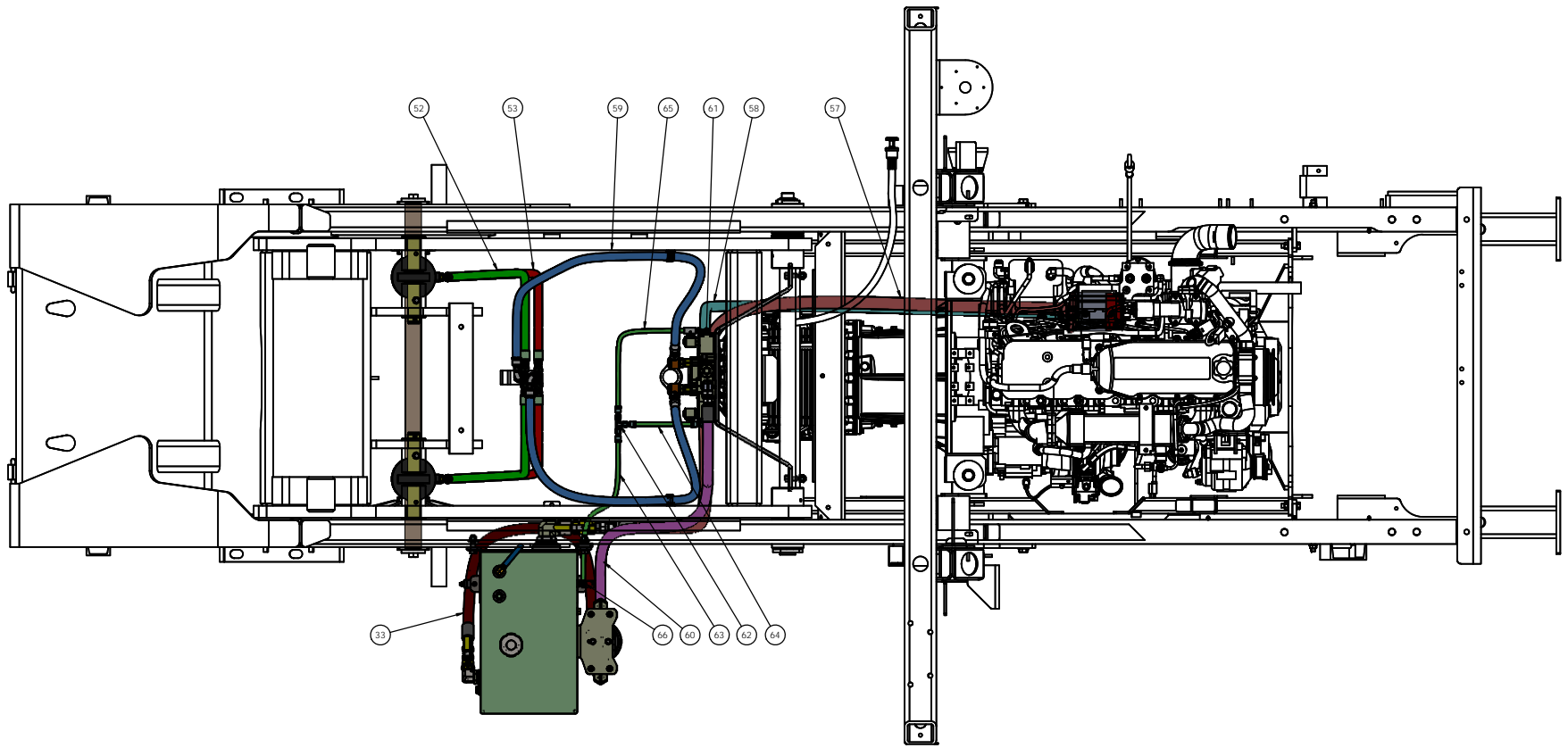
HYDRAULIC TANK  
FRONT-TOP VIEW




HYDRAULIC TANK  
INSIDE-BOTTOM VIEW

DIMENSIONS ARE IN INCHES		NAME	DATE	TICO MANUFACTURING 66 CYPRUS ROAD DR. ROCKLAND, NC 29154 (843) 717-2226
TOLERANCES:	DECIMAL	DESIGN	MAL	
		BY	8/108	
		CHECKED	8/103	
		APPROVED	8/108	
ANGULAR	± 0.1°	DO NOT SCALE DRAWING		
FRACTIONAL	± 1/32"	THE SUBSCRIBER'S DESIGN AND CONSTRUCTION SHALL BE CONSIDERED TO BE THE FINAL DESIGN UNLESS OTHER SPECIFICATIONS ARE SPECIFIED ON THE DRAWING AND ANY CONFLICTS SHALL BE RESOLVED BY THE DESIGNER. ALL RIGHTS TO ANY PATENT, TRADEMARK, OR COPYRIGHT IN THIS DRAWING ARE RESERVED BY THE DESIGNER AND CONTRACTOR. THIS DRAWING IS NOT TO BE REPRODUCED OR TRANSMITTED IN ANY FORM OR BY ANY MEANS, ELECTRONIC, MECHANICAL, PHOTOCOPYING, RECORDING, OR BY ANY INFORMATION STORAGE AND RETRIEVAL SYSTEM, WITHOUT PERMISSION IN WRITING FROM TICO MANUFACTURING.		
SCALE:	N/A	SIZE	DWG. NO.	REV
SCALE:	1:32	SIZE	D	721807-A1
SCALE:	1:32	WEIGHT:	6014.93	SHEET 2 OF 4





REFERENCES ARE IN INCHES	DATE	TICCI/TERMINAL SERVICE
TOLERANCES UNLESS OTHERWISE SPECIFIED:	ISSUED	AS CYRUS ROUSE CO.
FRACTIONAL .005	CHECKED	ROCKLAND, N.C. 27854
DECIMAL .005	APPROVED	(843) 377-2226
ANGULAR .015"	REVISED	
FUNCTIONAL .010"		
ASSEMBLY DIMENSIONS UNLESS OTHERWISE SPECIFIED:		
FRACTIONAL .005"		
DECIMAL .005"		
SEE NOTE		
FINISH		
SCALE: 1:32	WEIGHT: 6014.92	SHEET 4 OF 4


**TITLE:** HYDRAULIC SYSTEM, 70K 116" WB, 20 GPM STEER, B6.7

**SIZE:** D **DWG. NO.:** 721807-A1 **REV:**

721807-A1

TICO PRO-SPOTTER				
HYDRAULIC SYSTEM, 70K, 116"WB, 20 GPM STEER, B6.7				721807
ITEM	PART #	QTY/M	DESCRIPTION	
	721807-A1	REF	HYDRAULIC SYSTEM, 70K, 116"WB, 20 GPM STEER, B6.7	
1	620888	1	HYDRAULIC PUMP 20 GPM / 5.2 GPM STEER PRIORITY/CCW, 4.4mm ORIFICE	
2	60212	1	GASKET	
3	80175	2	BOLT - SOC HD M10 X 1.5 X 30MM LG	
4	85091	2	WASHER 3/8	
5	42018	1	FITTING, STR ADAPTRT STEEL, 1" O-RING X 1" JIC - PUMP SUCTION	
6	40471	1	FITTING, STR ADAPTER STEEL, 3/4" O-RING X 3/4" JIC	
7	42006	1	FITTING, STR ADAPTER STEEL, 1/2" O-RING X 1/2" JIC	
8	420372	1	TANK-HYDRAULIC, 18.5 GAL, VENTED W/SAE PORTS, NON VENTED CAP, RH FILTER	
9	82418	4	BOLT, HEX 1/2-13 X 2 LG	
10	85027	4	NUT, NYLOK 1/2-13	
11	85104	8	FLATWASHER 1/2	
12	30174	1	SPACER - HYDRAULIC TANK	
13	40823	1	FITTING, ELBOW 90° STEEL, 3/8 TUBE X 3/8 NPT (@ TANK TOP)	
14	11004	3 FT	TUBING - NYLON AIR BRAKE BLACK - 3/8" DIA	
15	40593	1	P, CLAMP	
16	82371	1	BOLT, HEX 5/16-18 X 1" LG	
17	85024	1	NUT, NYLOK 5/16-18	
18	85112	2	WASHER 5/16	
19	420376	1	FITTING-ELBOW,SAE O-RING (-20) 1-5/8"-12 THREAD X 1 1/4"-11.5 NPT (MALE), STEEL	
20	420383	1	FITTING-ADAPTER, 1-1/4" NPT (FEMALE) X 1" NPT (MALE), STEEL	
21	40146	1	SHUT-OFF VALVE - 1"	
22	40961	1	FITTING, STR ADAPTER STEEL, 1" JIC X 1" NPT (@ SHUT-OFF)	
23	420379	1	FITTING-ELBOW,SAE O-RING (-16) 1-5/16-12 THREAD X 3/4"-14 NPT (MALE), STEEL	
24	40147	1	SHUT-OFF VALVE - 3/4"	
25	40957	1	FITTING-3/4" JIC X 3/4" NPT (MALE), STEEL	
26	420382	2	FITTING, ELBOW,90°, 1 1/4 NPT (MALE) X 3/4" JIC (MALE)	
27	60556-2	1	FILTER HEAD	
28	60556-1	1	FILTER	
29	1026037	1	SEAL	
30	20100	2	U-BOLT (3/8" DIA x 2" ID x 3-5/8" OAL)	
31	85091	4	WASHER, 3/8" HRDN	
32	85025	4	NUT, 3/8"-16 NYLOK	
33	42268	1	H039 SUCTION 3/4 X 65 1/8 HOSE 68 1/2	
35	82371	2	BOLT - HEX 5/16-18 X 1" LG - FILTER TO TANK	
36	85090	2	WASHER - 5/16	
37	85134	2	LOCKWASHER 5/16	
NOT SHOWN	42182	1	FITTING-ADAPTER,1"NPT (MALE) X 3/4"NPT (FEMALE),STEEL	
<b>REV</b>	<b>DATE</b>	<b>BY</b>		<b>SHEET</b>
A	2/8/2018	MAL		1 OF

TICO PRO-SPOTTER				
HYDRAULIC SYSTEM, 70K, 116"WB, 20 GPM STEER, B6.7				721807
ITEM	PART #	QTY/M	DESCRIPTION	
38	62302	1	VALVE - DIRECTIONAL CONTROL	
39	80171	2	CAPSCREW - SOC HD 3/8 X 2	
40	85113	2	WASHER 3/8	
41	85025	2	NUT, NYLOK	
42	62299	1	BRACKET - DCV SPACER	
43	61758-3	1	MOUNT PLATE - VALVE	
NOT SHOWN	82429	2	BOLT, HEX 1/2-13 X 2-1/4 LG	
NOT SHOWN	85027	2	NUT, NYLOK 1/2-13	
NOT SHOWN	85093	4	WASHER 1/2	
44	41188	2	FITTING, ELBOW 90° STEEL, 1/2 "O"RING TO 5/8 JIC SWIVEL	
45	42073	2	FITTING, STR ADAPTER STEEL, 1/2 "O"RING TO 1/2 "O"RING M X F	
46	10624	2	FITTING, ELBOW 90° - 3/4 "O"RING TO 3/4" JIC (@ VALVE RETURN)	
47	30148-1	2	CYLINDER 5" - 15" STROKE	
48	30187-12	2	PIN - UPPER	
49	82493	2	BOLT, HEX 3/8-16 X 2 LG	
50	85113	4	WASHER 3/8	
51	85025	2	LOCKNUT, NYLON 3/8-16	
52	41230	2	HOSE ASS'Y - TEE TO CYLINDER EXTEND	
53	41231	2	HOSE ASS'Y - TEE TO CYLINDER - RETRACT	
54	50050	2	FITTING, TEE BULKHEAD STEEL, 5/8 JIC	
55	50050-2	2	NUT - 7/8-14	
56	40460	4	FITTING, ELBOW 90° STEEL, 1/2 "O"RING TO 1/2 JIC	
57	410349	1	HOSE ASS'Y, H3916, STR - STR, 1" ID x 91" LG (TANK TO PUMP)	
NOT SHOWN	42018	REF	FITTING, STR ADAPTER STEEL, 1 "O"RING TO 1" JIC (@PUMP)	
NOT SHOWN	40471	REF	FITTING, STR ADAPTER SYEEL, 3/4 "O" RING TO 3/4" JIC (@ PUMP PRESS)	
NOT SHOWN	12469	2	SPACER - 1" PIPE	
58	41239	1	HOSE ASS'Y, 3/4 DIA X 73 1/2 HOSE/77-5/8 OAL, ( PUMP TO VALVE)	
NOT SHOWN	61883	1	BRACKET - STANDOFF	
NOT SHOWN	82383	2	BOLT 3/8-16 X 1-1/4 LG	
NOT SHOWN	85091	4	FLATWASHER	
59	42275	2	HOSEASS'Y- VALVE TO TEE - 5/8 DIA X 45 1/8 LG HOSE	
60	41002	1	HOSE - 3/4" X 48" HOSE(FILTER-CONT VLV)	
61	40472	2	FITTING, ELBOW 90° STEEL, #4 JIC X 1/8 NPT	
62	42083	1	FITTING, TEE STEEL, JIC, #4	
63	40320	1	HOSE ASS'Y - #4, STR/STR, 53 1/4" OAL, TANK/TEE	
64	41103	1	HOSE ASS'Y - #4, STR/STR, 9 1/4" OAL, TEE/VALVE	
65	41058	1	HOSE ASS'Y - #4, STR/90°, 14 9/16" OAL, TEE/VALVE	
66	42029	1	FITTING, ELBOW 90° STEEL, 1/4 JIC X 1/2 NPT	
67	420374	2	FITTING, PLUG BRASS, 3/8" NPT HEX HEAD SOCKET	
<b>REV</b>	<b>DATE</b>	<b>BY</b>		<b>SHEET</b>
A	2/8/2018	MAL		2 OF
<b>TICO MANUFACTURING - RIDGELAND, SC 29936</b>				