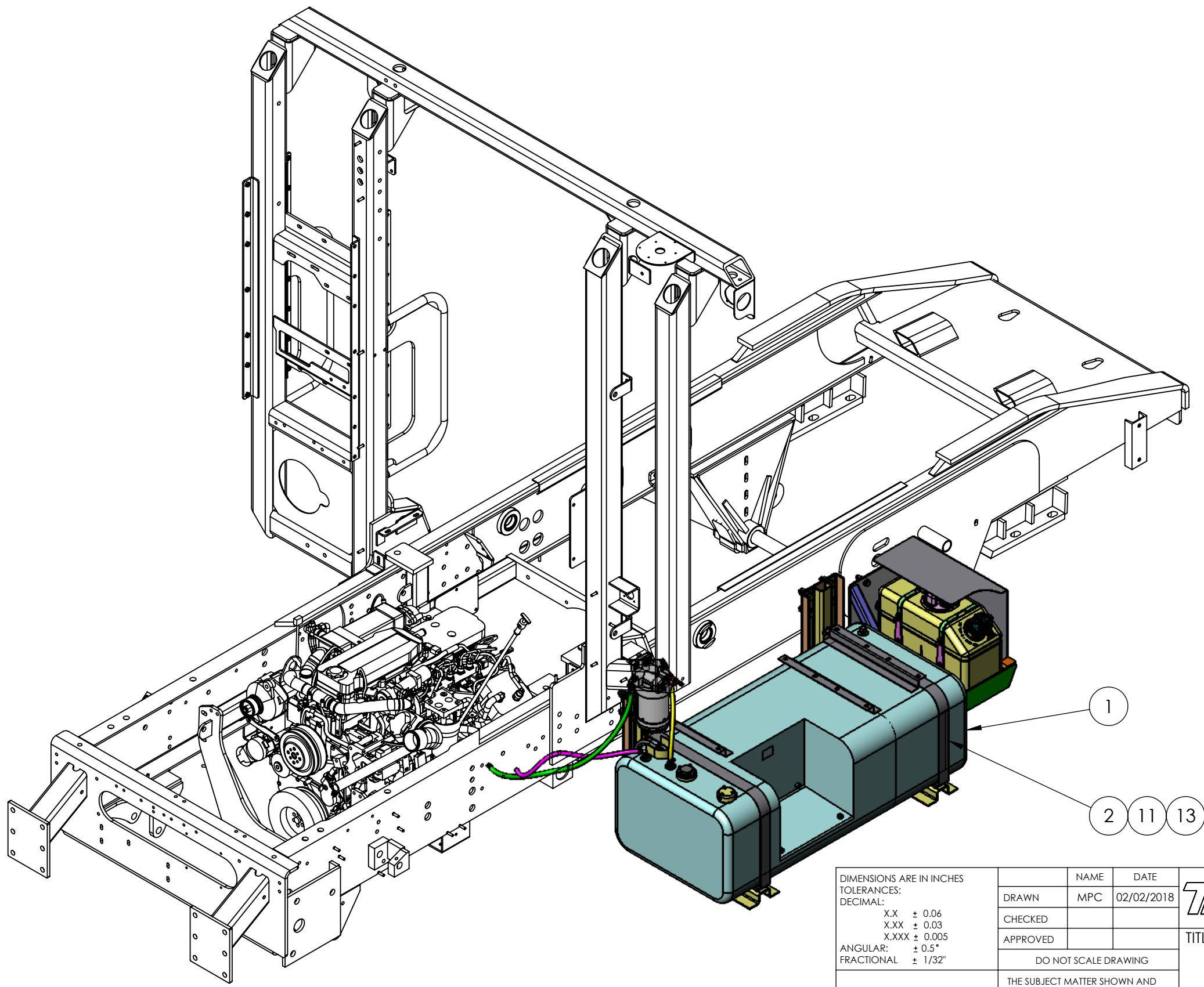



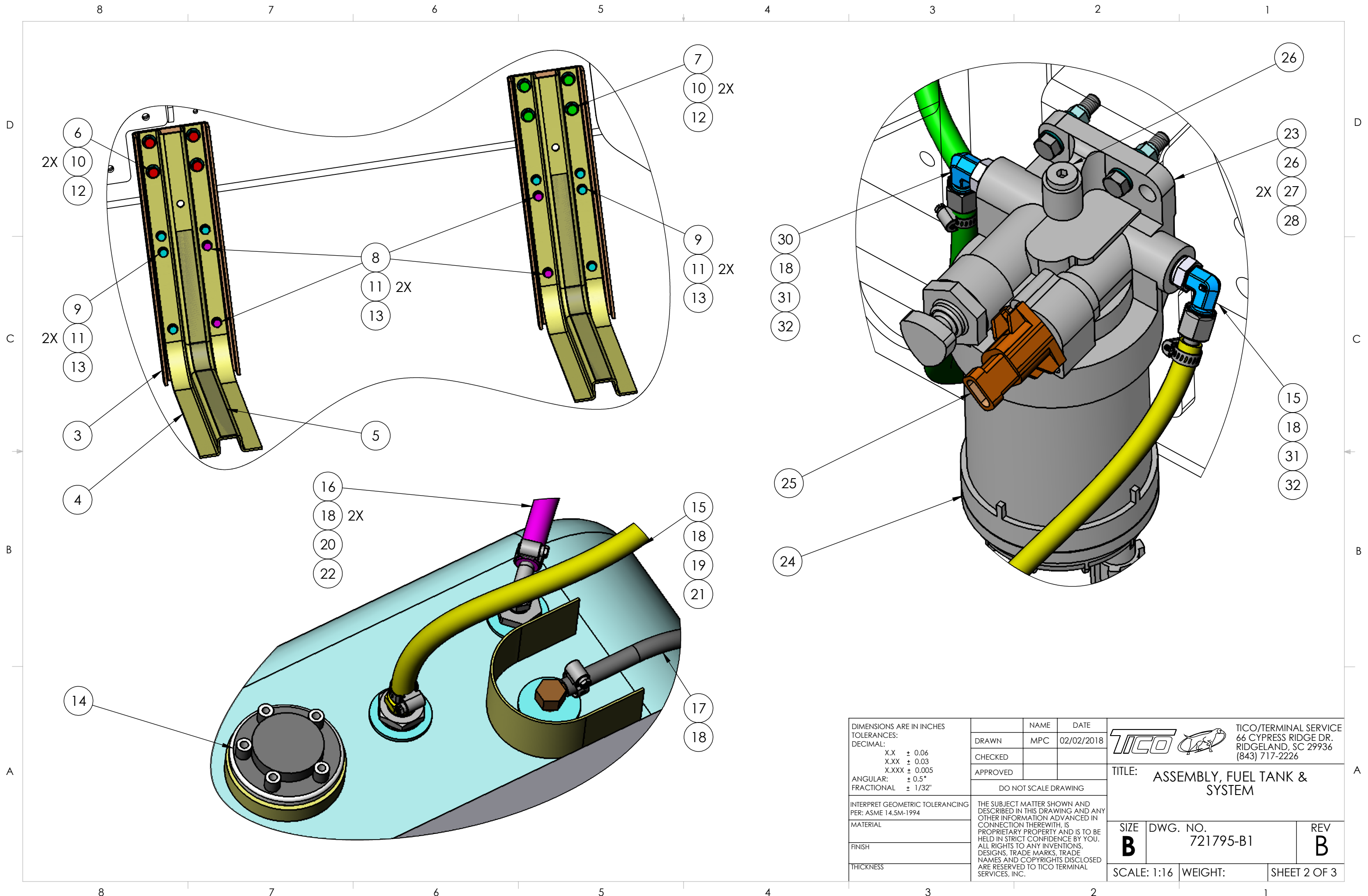
8 7 6 5 4 3 2 1


D
C
B
A

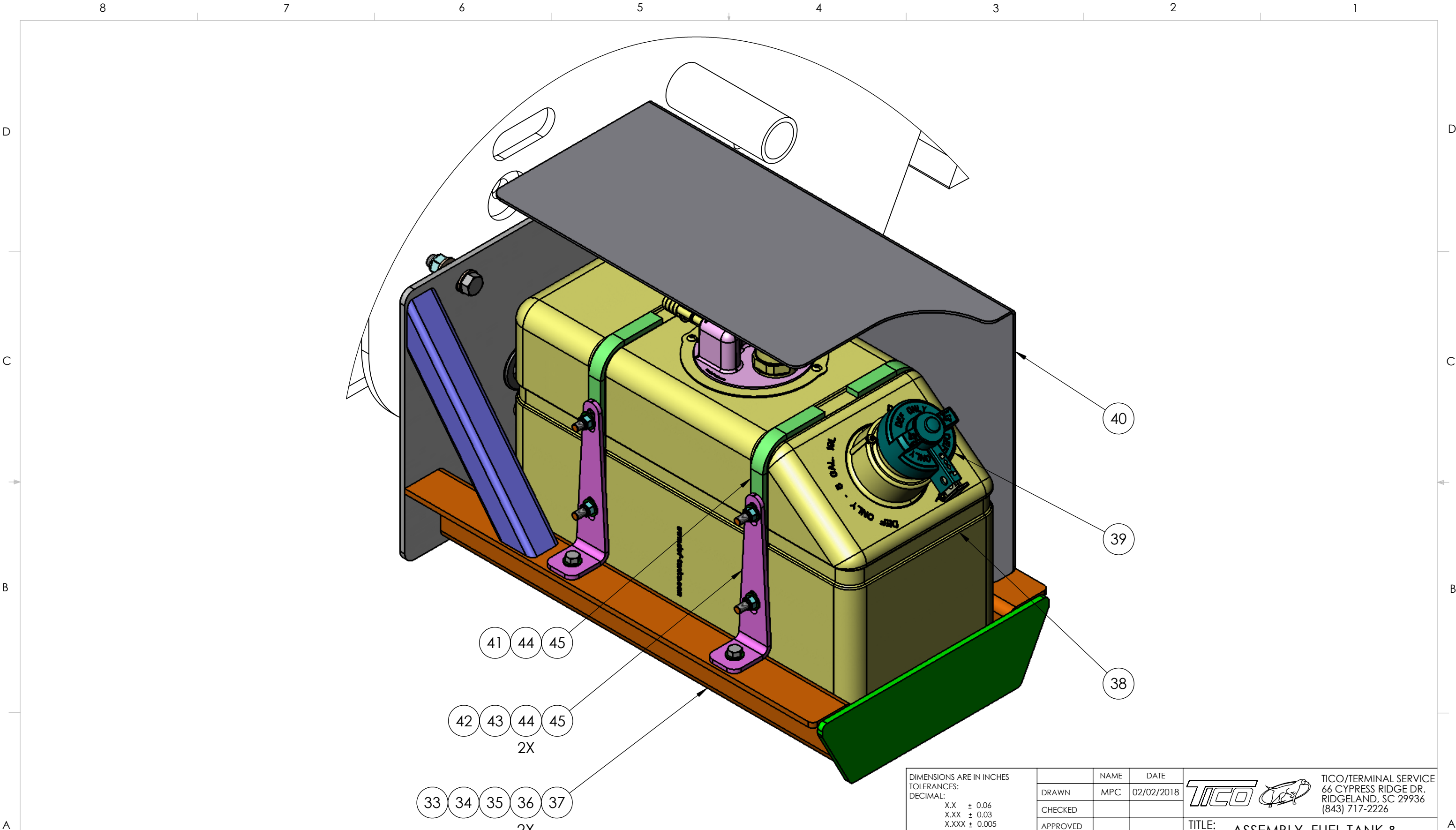



DIMENSIONS ARE IN INCHES TOLERANCES: DECIMAL: X.X ± 0.06 X.XX ± 0.03 X.XXX ± 0.005 ANGULAR: ± 0.5° FRACTIONAL ± 1/32"	NAME	DATE	 TICO MANUFACTURING 66 CYPRESS RIDGE DR. RIDGELAND, SC 29936 (843) 717-2226	
	DRAWN	MPC		02/02/2018
	CHECKED			
	APPROVED			
	DO NOT SCALE DRAWING		TITLE: ASSEMBLY, FUEL TANK & SYSTEM	
MATERIAL	THE SUBJECT MATTER SHOWN AND DESCRIBED IN THIS DRAWING AND ANY OTHER INFORMATION ADVANCED IN CONNECTION THEREWITH, IS PROPRIETARY PROPERTY AND IS TO BE HELD IN STRICT CONFIDENCE BY YOU. ALL RIGHTS TO ANY INVENTIONS, DESIGNS, TRADE MARKS, TRADE NAMES AND COPYRIGHTS DISCLOSED ARE RESERVED TO TICO TERMINAL SERVICES, INC.		SIZE B DWG. NO. 721795-B1 REV B	
FINISH	SCALE: 1:16	WEIGHT:	SHEET 1 OF 3	
THICKNESS				

8 7 6 5 4 3 2 1



DIMENSIONS ARE IN INCHES TOLERANCES: DECIMAL: X.X ± 0.06 X.XX ± 0.03 X.XXX ± 0.005 ANGULAR: ± 0.5° FRACTIONAL ± 1/32"	DRAWN	NAME	DATE	 TICO/TERMINAL SERVICE 66 CYPRESS RIDGE DR. RIDGELAND, SC 29936 (843) 717-2226
	CHECKED	MPC	02/02/2018	
	APPROVED			
	DO NOT SCALE DRAWING			
INTERPRET GEOMETRIC TOLERANCING PER: ASME 14.5M-1994	THE SUBJECT MATTER SHOWN AND DESCRIBED IN THIS DRAWING AND ANY OTHER INFORMATION ADVANCED IN CONNECTION THEREWITH, IS PROPRIETARY PROPERTY AND IS TO BE HELD IN STRICT CONFIDENCE BY YOU. ALL RIGHTS TO ANY INVENTIONS, DESIGNS, TRADE MARKS, TRADE NAMES AND COPYRIGHTS DISCLOSED ARE RESERVED TO TICO TERMINAL SERVICES, INC.			TITLE: ASSEMBLY, FUEL TANK & SYSTEM
FINISH	SIZE	DWG. NO.	REV	
THICKNESS	B	721795-B1	B	
	SCALE: 1:16	WEIGHT:	SHEET 2 OF 3	



DIMENSIONS ARE IN INCHES		NAME	DATE	 TICO/TERMINAL SERVICE 66 CYPRESS RIDGE DR. RIDGELAND, SC 29936 (843) 717-2226	
TOLERANCES:		DRAWN	MPC		02/02/2018
DECIMAL:		CHECKED			
X.X ± 0.06 X.XX ± 0.03 X.XXX ± 0.005		APPROVED			
ANGULAR: ± 0.5° FRACTIONAL ± 1/32"		DO NOT SCALE DRAWING			
INTERPRET GEOMETRIC TOLERANCING PER: ASME 14.5M-1994		THE SUBJECT MATTER SHOWN AND DESCRIBED IN THIS DRAWING AND ANY OTHER INFORMATION ADVANCED IN CONNECTION THEREWITH, IS PROPRIETARY PROPERTY AND IS TO BE HELD IN STRICT CONFIDENCE BY YOU. ALL RIGHTS TO ANY INVENTIONS, DESIGNS, TRADE MARKS, TRADE NAMES AND COPYRIGHTS DISCLOSED ARE RESERVED TO TICO TERMINAL SERVICES, INC.			
MATERIAL		TITLE: ASSEMBLY, FUEL TANK & SYSTEM			
FINISH		SIZE B	DWG. NO. 721795-B1	REV B	
THICKNESS		SCALE: 1:16	WEIGHT:	SHEET 3 OF 3	

TICO PRO-SPOTTER					
			ASSEMBLY, FUEL TANK & SYSTEM	721795	
ITEM	PART #	QTY	DESCRIPTION	NOTE	
	721795-B1	REF	ASSEMBLY, FUEL TANK & SYSTEM		
1	200383	1	TANK, FUEL, STEP-FORWARD, DIESEL, 65 GALLON		
2	20179	2	HOLDING STRAP, FUEL TANK		
3	12406	2	CHANNEL BRACKET, FUEL TANK		
4	20175	2	MOUNT BRACKET, FUEL TANK		
5	20171	2	PAD, RUBBER, FUEL TANK BRACKET, 1/8 X 1-1/2		
6	82430	4	BOLT, HEX HEAD, 5/8-11 X 2-1/4 LONG		
7	82419	4	BOLT, HEX HEAD, 5/8-11 X 2 LONG		
8	82407	4	BOLT, HEX HEAD, 1/2-13 X 1-3/4 LONG		
9	82396	8	BOLT, HEX HEAD, 1/2-13 X 1-1/2 LONG		
10	85094	16	WASHER, FLAT, 5/8		
11	85093	24	WASHER, FLAT, 1/2		
12	85028	8	LOCKNUT, NYLON, 5/8-11		
13	85027	16	LOCKNUT, NYLON, 1/2-13		
14	20169	1	SENDER FUEL, 240-33 OHM, NO-FLOAT		
15	40811	20"	HOSE, FUEL, 5/16 (TANK TO FILTER)		
16	40811	30"	HOSE, FUEL, 5/16 (TANK TO ENGINE)		
17	41000	1	HOSE, FUEL, 5/16 X 6 LONG (OVERFLOW)		
18	42148	6	CLAMP, HOSE, WORMGEAR, 1/4 TO 5/8		
19	42136	1	FITTING, STRAIGHT, 3/8 NPT X 3/8 BARB		
20	42191	1	FITTING, ELBOW, 90°, 1/4 NPT X 5/16 BARB		
21	42053	1	FITTING, REDUCER, 3/4 NPT X 3/8 NPT		
22	42090	1	FITTING, REDUCER, 1/2 NPT X 1/4 NPT		
23	620587	1	FILTER, HEAD		
24	620588	1	FILTER FUEL/WATER SEPARATOR		
25	620589	1	HEATER, STICK		
26	620590	1	PLUG, PORT, FUEL FILTER		
27	82405	2	BOLT, HEX HEAD, 3/8-16 X 1-3/4 (BRACKET TO CAB BAR)		
28	85091	4	WASHER, FLAT, 3/8		
29	85025	2	LOCKNUT, NYLON, 3/8-16		
30	41214	32"	HOSE, FUEL, 3/8 (FILTER TO ENGINE)		
31	42146	2	FITTING, HOSE, 3/8 BARB X 3/8 JIC		
32	42141	2	FITTING, ELBOW, 90°, 14 MM O-RING X 3/8 JIC		
33	121157	1	MOUNT, DEF TANK		
34	20032-2	1	GROMMET		
35	82418	3	BOLT, HEX HEAD, 1/2-13 X 2 LONG		
36	85093	6	WASHER, FLAT, 1/2		
37	85027	3	LOCKNUT, NYLON, 1/2-13		
REV	DATE	BY		SHEET	1
B	02/02/2018	MPC		OF	2

TICO MANUFACTURING - RIDGELAND, SC 29936

TICO PRO-SPOTTER				
			ASSEMBLY, FUEL TANK & SYSTEM	721795
ITEM	PART #	QTY	DESCRIPTION	NOTE
38	62433	1	DEF TANK, QUALITY SENSOR & J1939 MONITOR	
39	620900	1	CAP, DEF TANK, BUTRESS THEADS, BLUE, LOCKING (WITH LANYARD)	
40	20086-7	1	COVER, DEF TANK	
41	20086-4	4	FLAT BAR, DEF TANK	
42	20086-5	4	BRACKET, DEF TANK	
43	82382	4	BOLT, HEX HEAD, 5/16-18 X 1-1/4 LONG	
44	85090	16	WASHER, FLAT, 5/16	
45	85024	12	LOCKNUT, NYLON, 5/16-18	
NOT SHOWN	20086-2	1	VALVE, CONTROL, COOLANT	
NOT SHOWN	42289	2	HOSE, DEF, HEATED, 79 LONG (SUCTION/THROTTLE)	
NOT SHOWN	42290	1	HOSE, DEF, HEATED, 5/16 ID X 118-1/8 LONG (PRESSURE)	
NOT SHOWN	40774	2	FITTING, TEE, 5/8 BARB X 5/8 BARB X 3/8 BARB (DEF COOLING)	
NOT SHOWN	41178	94"	HOSE, SILICONE, 5/8 (ENGINE TO TEE FEED)	
NOT SHOWN	41178	27"	HOSE, SILICONE, 5/8 (TEE TO FLOW VALVE FEED)	
NOT SHOWN	41178	2.5"	HOSE, SILICONE, 5/8 (FLOW VALVE TO DEF TANK FEED)	
NOT SHOWN	41178	36"	HOSE, SILICONE, 5/8 (DEF TANK TO TEE RET)	
NOT SHOWN	41178	132"	HOSE, SILICONE, 5/8 (TEE TO ENGINE RET)	
NOT SHOWN	41158	140"	HOSE, COOLANT, 3/8 (TEE TO REACT FEED)	
NOT SHOWN	41158	112"	HOSE, COOLANT, 3/8 (REACT TO TEE RET)	
NOT SHOWN	420353	1	FITTING, STRAIGHT, COOLANT, SAFE LOCK	
NOT SHOWN	420352	1	FITTING, ELBOW, 90°, COOLANT, SAFE LOCK	
NOT SHOWN	42150	10	CLAMP, WORMGEAR, #08	
NOT SHOWN	42148	8	CLAMP, WORMGEAR, #04	
NOT SHOWN	61883	3	BRACKET, STANDOFF	
NOT SHOWN	40596	8	P-CLAMP, 5/8"	
NOT SHOWN	82371	8	BOLT, HEX HEAD, 5/16-18 X 1 LONG	
NOT SHOWN	85090	16	WASHER, FLAT, 5/16	
NOT SHOWN	85024	8	LOCKNUT, NYLON, 5/16-18	
NOT SHOWN	620477	2	BRACKET, DEF REACTOR HOSES	
NOT SHOWN	12668	1	BRACKET, FLAT, DEF REACTOR HOSES	
NOT SHOWN	61883	1	BRACKET, STANDOFF	
NOT SHOWN	620877	1	HARNESS, WIRE, FUEL FILTER EXTENSION	
NOT SHOWN	42269	1	FITTING, FUEL INLET, 3/8 HOSE PUSH ON	
NOT SHOWN	42269-1	1	SEAL, WASHER, FUEL INLET	
NOT SHOWN	500355	1	DECAL, DEF ONLY	
REV	DATE	BY		SHEET
B	02/02/2018	MPC		2
				OF
				2

TICO MANUFACTURING - RIDGELAND, SC 29936