


PAGE 1 : OVERVIEW
PAGE 2 : TANK, FILTER, & HOSES
PAGE 3 : PUMP & DCV
PAGE 4 : DCV HOSES
PAGE 5 : CYLINDER & HOSES
PAGES 6-8 : PARTS LIST

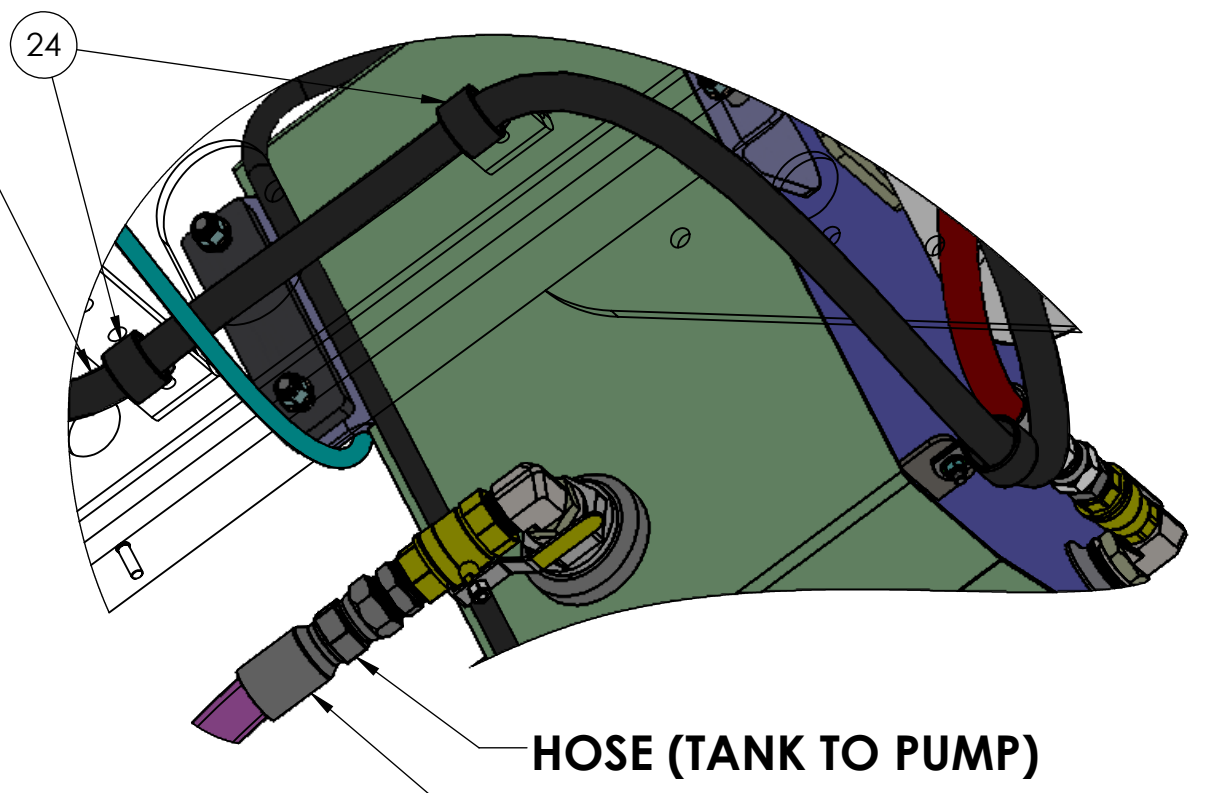
DIMENSIONS ARE IN INCHES TOLERANCES: DECIMAL: X.X ± 0.06 X.XX ± 0.03 X.XXX ± 0.005 ANGULAR: ± 0.5° FRACTIONAL ± 1/32"	DRAWN	NAME	DATE
	CHECKED	MPC	01/06/2018
	APPROVED		
	DO NOT SCALE DRAWING		
MATERIAL	THE SUBJECT MATTER SHOWN AND DESCRIBED IN THIS DRAWING AND ANY OTHER INFORMATION ADVANCED IN CONNECTION THEREWITH, IS PROPRIETARY PROPERTY AND IS TO BE HELD IN STRICT CONFIDENCE BY YOU. ALL RIGHTS TO ANY INVENTIONS, DESIGNS, TRADE MARKS, TRADE NAMES AND COPYRIGHTS DISCLOSED ARE RESERVED TO TICO TERMINAL SERVICES, INC.		
FINISH			
THICKNESS			
 TICO MANUFACTURING 66 CYPRESS RIDGE DR. RIDGELAND, SC 29936 (843) 717-2226		TITLE: ASSEMBLY, HYDRAULIC SYSTEM	
SIZE	DWG. NO.	REV	
B	721790-A1	A	
SCALE: 1:11	WEIGHT:	SHEET 1 OF 5	

8 7 6 5 4 3 2 1

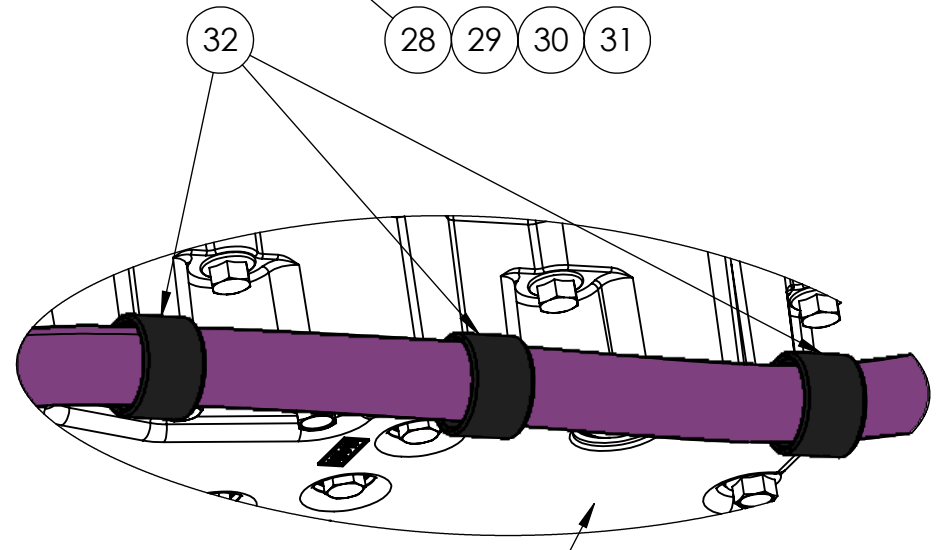
D
C
B
A

D
C
B
A

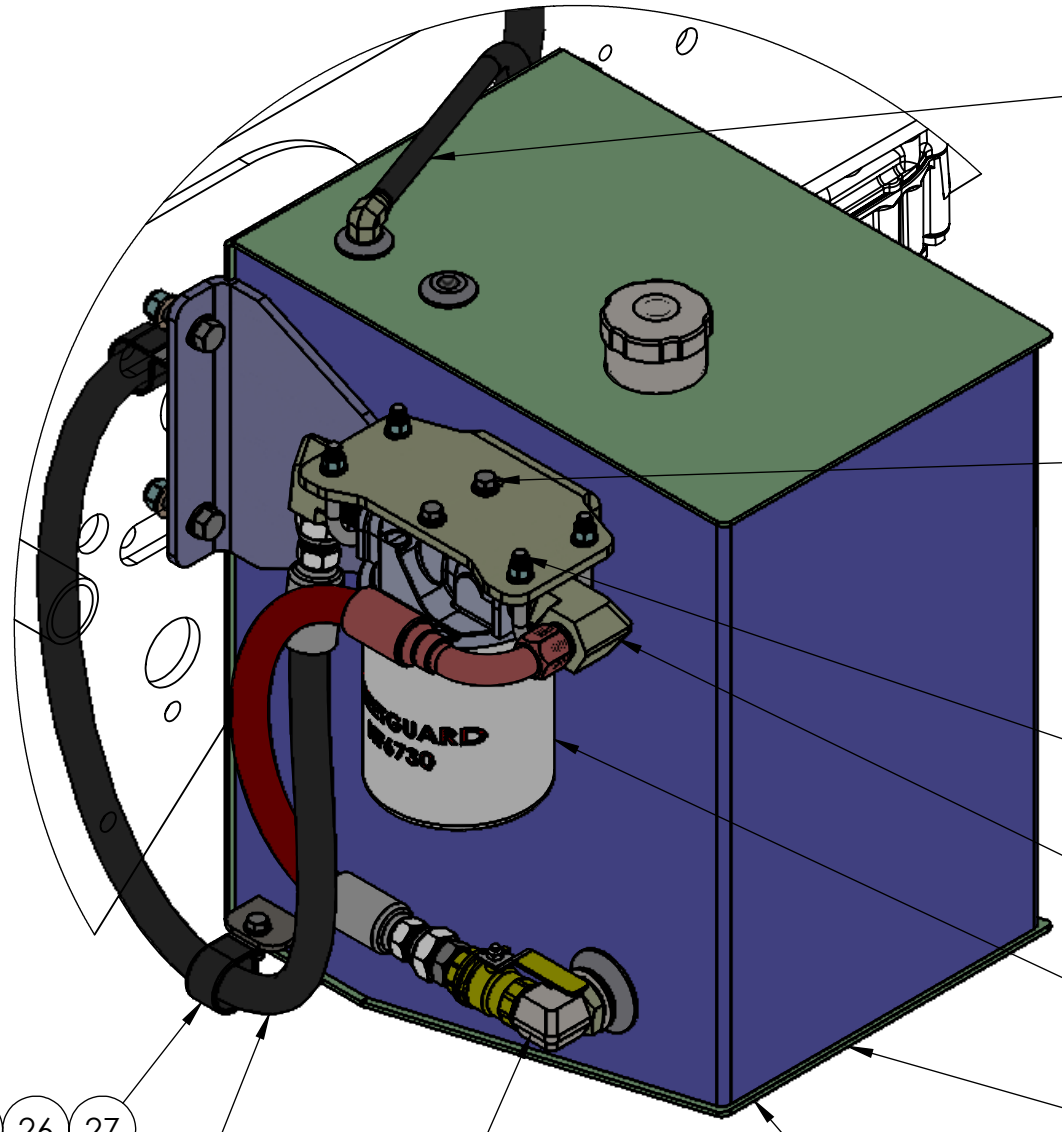
HOSE (FILTER TO DCV)



HOSE (TANK TO PUMP)



TRANSMISSION (REF)



TANK (RIGHT-HAND)

24 25 26 27
2X

22 23

18 19 20 21

16 17


10 12 14

11 13 15

9

6 7 8

1 2 3 4 5
2X

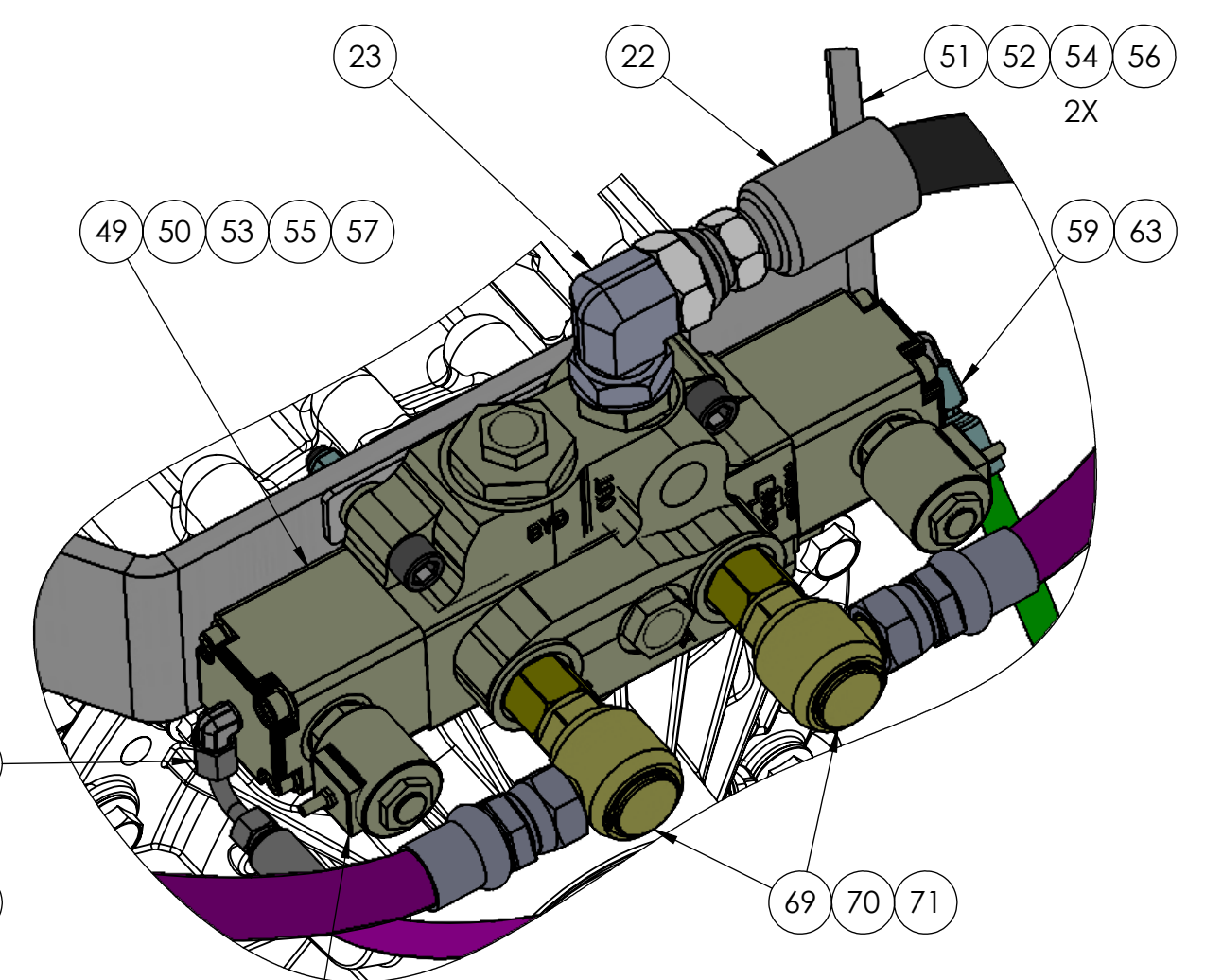
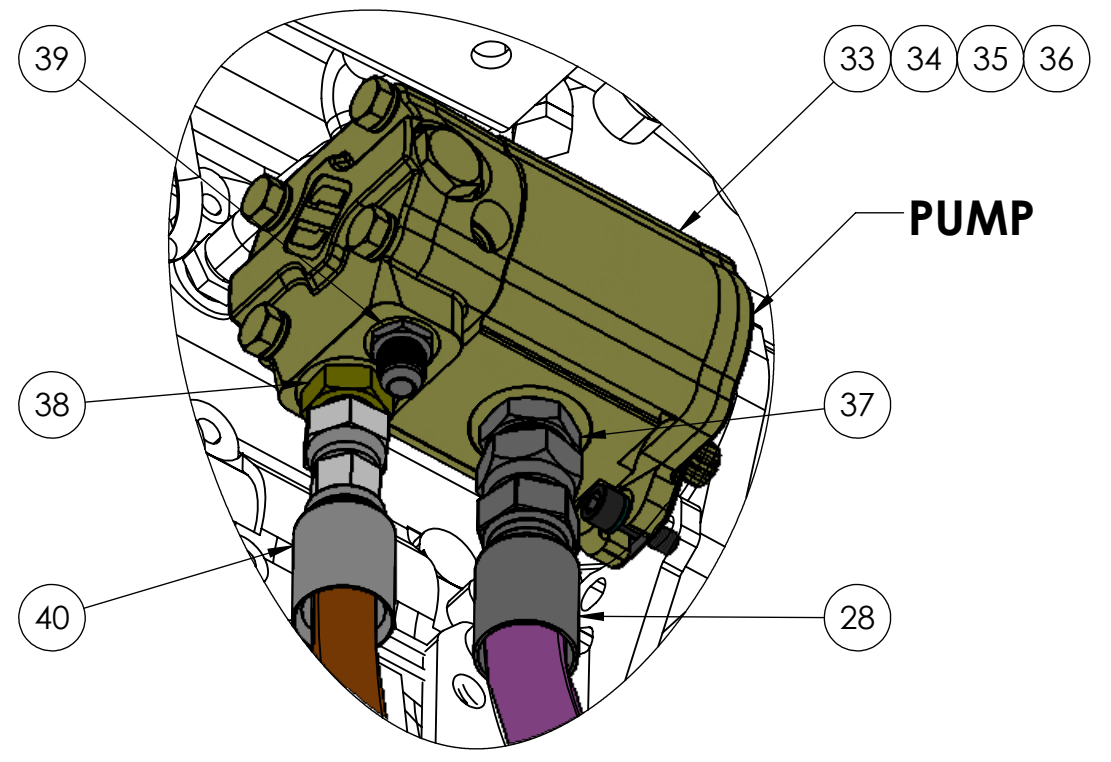
DIMENSIONS ARE IN INCHES TOLERANCES: DECIMAL: X.X ± 0.06 X.XX ± 0.03 X.XXX ± 0.005 ANGULAR: ± 0.5° FRACTIONAL ± 1/32"	DRAWN MPC	NAME MPC	DATE 01/06/2018	 TICO/TERMINAL SERVICE 66 CYPRESS RIDGE DR. RIDGELAND, SC 29936 (843) 717-2226	
	CHECKED				
	APPROVED				
	DO NOT SCALE DRAWING				
INTERPRET GEOMETRIC TOLERANCING PER: ASME 14.5M-1994	THE SUBJECT MATTER SHOWN AND DESCRIBED IN THIS DRAWING AND ANY OTHER INFORMATION ADVANCED IN CONNECTION THEREWITH, IS PROPRIETARY PROPERTY AND IS TO BE HELD IN STRICT CONFIDENCE BY YOU. ALL RIGHTS TO ANY INVENTIONS, DESIGNS, TRADE MARKS, TRADE NAMES AND COPYRIGHTS DISCLOSED ARE RESERVED TO TICO TERMINAL SERVICES, INC.			TITLE: ASSEMBLY, HYDRAULIC SYSTEM	
MATERIAL	FINISH	THICKNESS	SIZE B	DWG. NO. 721790-A1	REV A
SCALE: 1:11		WEIGHT:	SHEET 2 OF 5		

8 7 6 5 4 3 2 1

8 7 6 5 4 3 2 1

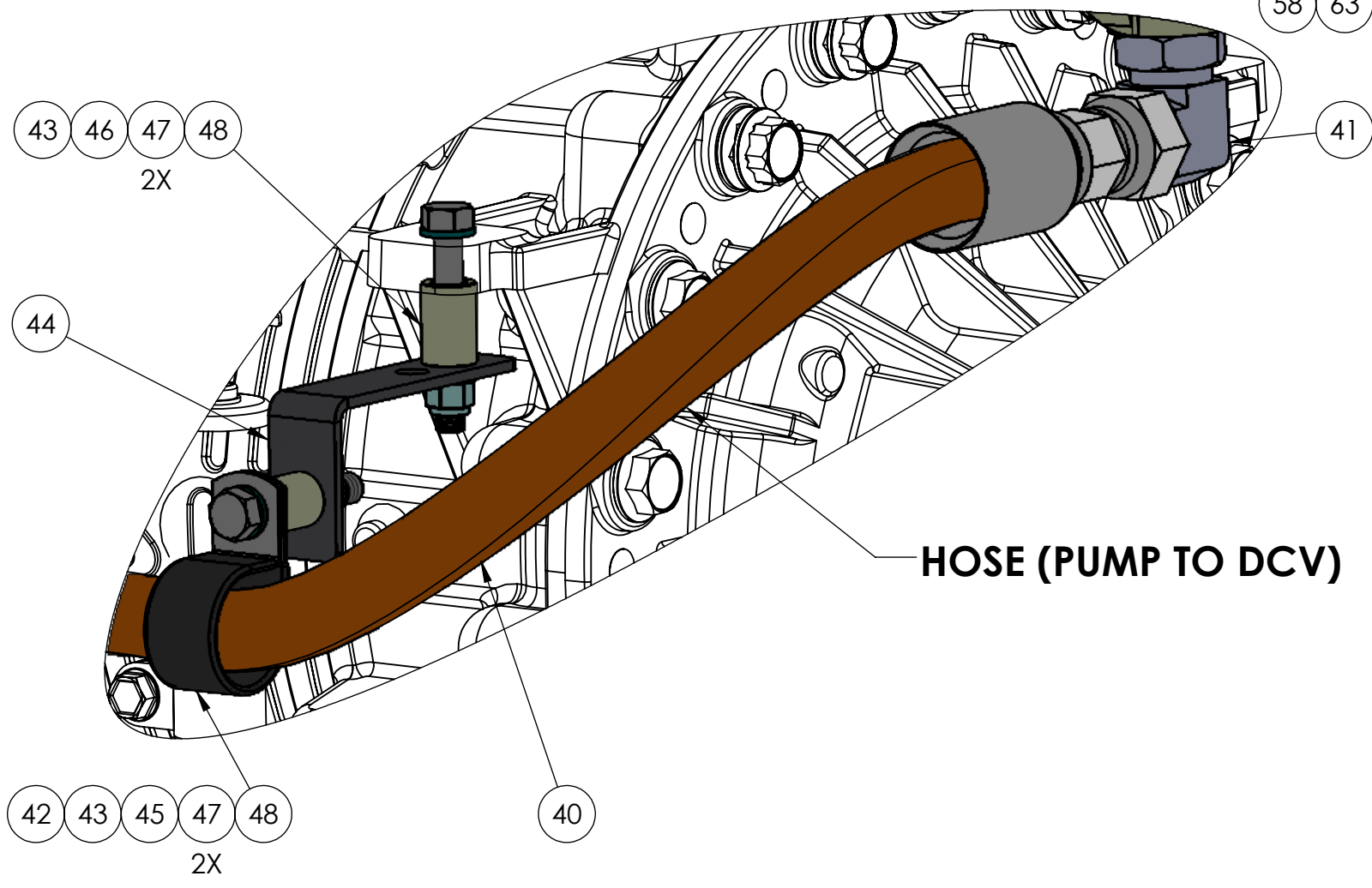
D

D



C

C



B

B

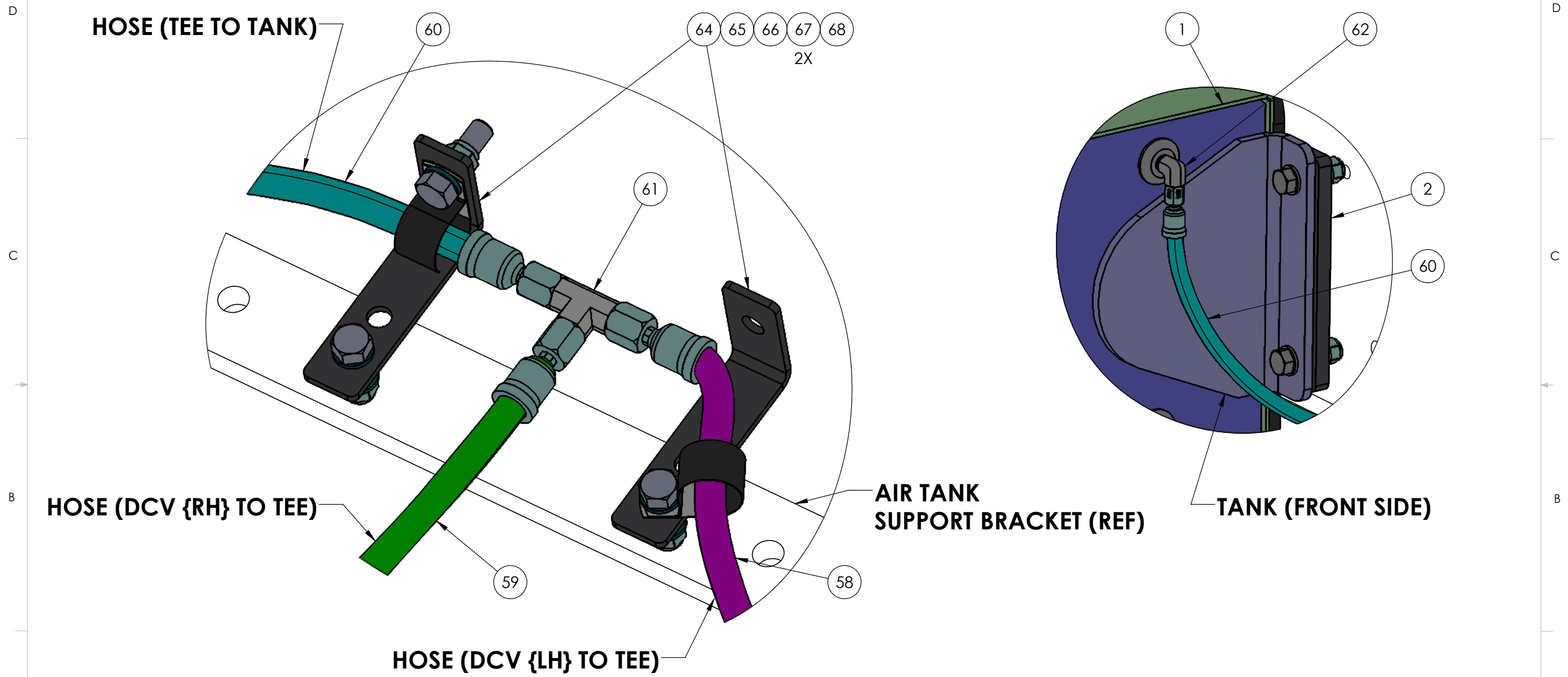
A


A

8 7 6 5 4 3 2 1

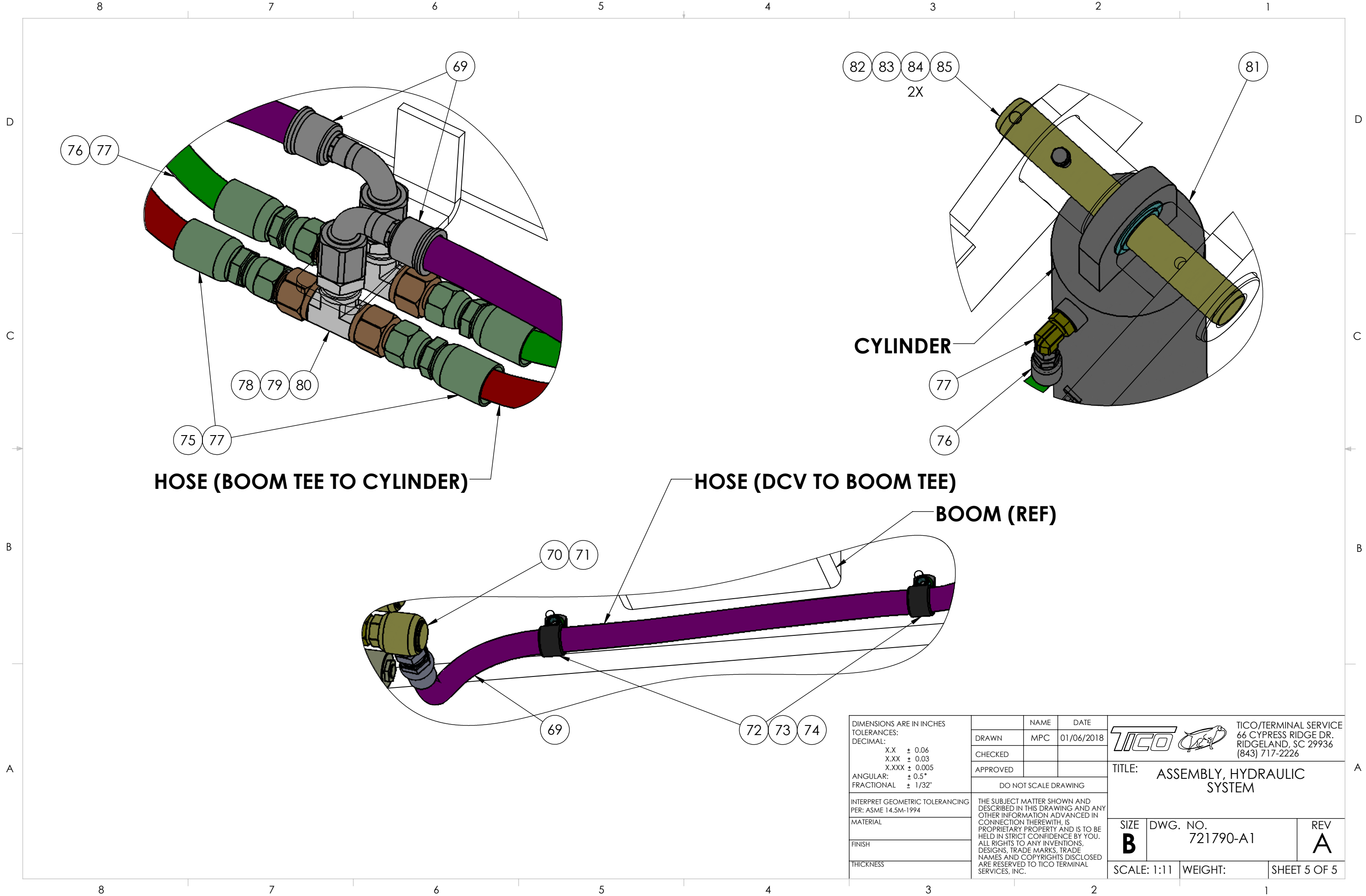
DIMENSIONS ARE IN INCHES TOLERANCES: DECIMAL: X.X ± 0.06 X.XX ± 0.03 X.XXX ± 0.005 ANGULAR: ± 0.5° FRACTIONAL ± 1/32"	NAME MPC	DATE 01/06/2018	TICO/TERMINAL SERVICE 66 CYPRESS RIDGE DR. RIDGELAND, SC 29936 (843) 717-2226
	DRAWN		
	CHECKED		
	APPROVED		
INTERPRET GEOMETRIC TOLERANCING PER: ASME 14.5M-1994	DO NOT SCALE DRAWING		TITLE: ASSEMBLY, HYDRAULIC SYSTEM
MATERIAL	THE SUBJECT MATTER SHOWN AND DESCRIBED IN THIS DRAWING AND ANY OTHER INFORMATION ADVANCED IN CONNECTION THEREWITH, IS PROPRIETARY PROPERTY AND IS TO BE HELD IN STRICT CONFIDENCE BY YOU. ALL RIGHTS TO ANY INVENTIONS, DESIGNS, TRADE MARKS, TRADE NAMES AND COPYRIGHTS DISCLOSED ARE RESERVED TO TICO TERMINAL SERVICES, INC.		SIZE B
FINISH	DWG. NO. 721790-A1	REV A	
THICKNESS	SCALE: 1:11	WEIGHT:	SHEET 3 OF 5

8 7 6 5 4 3 2 1



DIMENSIONS ARE IN INCHES TOLERANCES: DECIMAL: X.X ± 0.06 X.XX ± 0.03 X.XXX ± 0.005 ANGULAR: ± 0.5° FRACTIONAL ± 1/32"	NAME	DATE	 TICO/TERMINAL SERVICE 66 CYPRESS RIDGE DR. RIDGELAND, SC 29936 (843) 717-2226	
	DRAWN	MPC		01/06/2018
	CHECKED			
	APPROVED			
INTERPRET GEOMETRIC TOLERANCING PER: ASME 14.5M-1994	DO NOT SCALE DRAWING		TITLE: ASSEMBLY, HYDRAULIC SYSTEM	
MATERIAL	THE SUBJECT MATTER SHOWN AND DESCRIBED IN THIS DRAWING AND ANY OTHER INFORMATION ADVANCED IN CONNECTION THEREWITH, IS PROPRIETARY PROPERTY AND IS TO BE HELD IN STRICT CONFIDENCE BY YOU. ALL RIGHTS TO ANY INVENTIONS, DESIGNS, TRADE MARKS, TRADE NAMES AND COPYRIGHTS DISCLOSED ARE RESERVED TO TICO TERMINAL SERVICES, INC.		SIZE: B	
FINISH			DWG. NO. 721790-A1	
THICKNESS			REV A	
	SCALE: 1:11	WEIGHT:	SHEET 4 OF 5	

8 7 6 5 4 3 2 1



DIMENSIONS ARE IN INCHES		NAME	DATE
TOLERANCES:		DRAWN	MPC 01/06/2018
DECIMAL:		CHECKED	
X.X ± 0.06		APPROVED	
X.XX ± 0.03		DO NOT SCALE DRAWING	
X.XXX ± 0.005		THE SUBJECT MATTER SHOWN AND DESCRIBED IN THIS DRAWING AND ANY OTHER INFORMATION ADVANCED IN CONNECTION THEREWITH, IS PROPRIETARY PROPERTY AND IS TO BE HELD IN STRICT CONFIDENCE BY YOU. ALL RIGHTS TO ANY INVENTIONS, DESIGNS, TRADE MARKS, TRADE NAMES AND COPYRIGHTS DISCLOSED ARE RESERVED TO TICO TERMINAL SERVICES, INC.	
ANGULAR: ± 0.5°			
FRACTIONAL ± 1/32"			
INTERPRET GEOMETRIC TOLERANCING PER: ASME 14.5M-1994			
MATERIAL			
FINISH			
THICKNESS			

SIZE	DWG. NO.	REV
B	721790-A1	A

TICO/TERMINAL SERVICE 66 CYPRESS RIDGE DR. RIDGELAND, SC 29936 (843) 717-2226		
TITLE: ASSEMBLY, HYDRAULIC SYSTEM		
SCALE: 1:11	WEIGHT:	SHEET 5 OF 5

