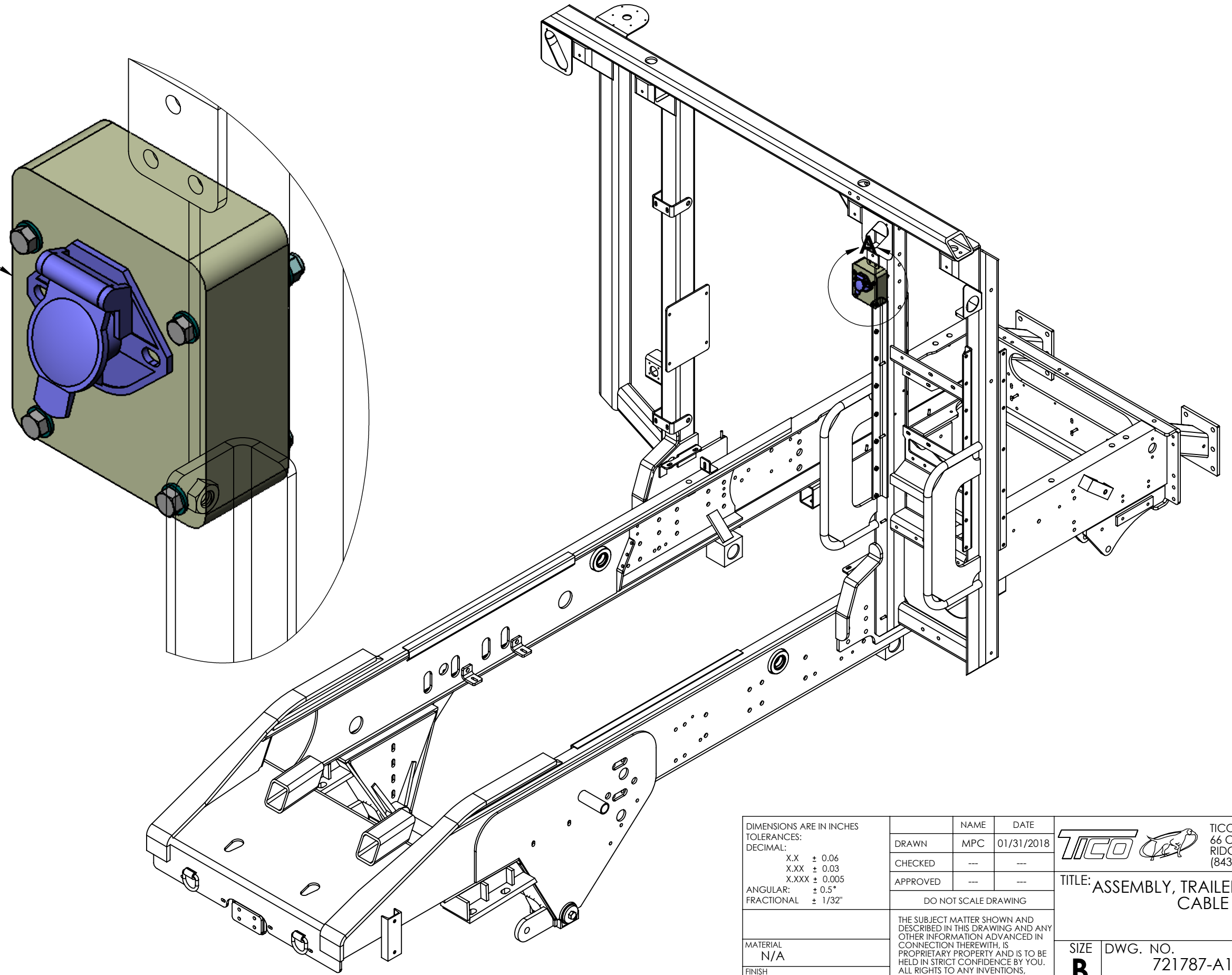



8 7 6 5 4 3 2 1

D
C
B
A

D
C
B
A

1 2 3 4
2X



DIMENSIONS ARE IN INCHES TOLERANCES: DECIMAL: X.X ± 0.06 X.XX ± 0.03 X.XXX ± 0.005 ANGULAR: ± 0.5° FRACTIONAL ± 1/32"	DRAWN	NAME	DATE	 TICO MANUFACTURING 66 CYPRESS RIDGE DR. RIDGELAND, SC 29936 (843) 717-2226		
	CHECKED	---	---			
	APPROVED	---	---			
	DO NOT SCALE DRAWING			TITLE: ASSEMBLY, TRAILER LIGHTS & CABLE		
MATERIAL N/A	THE SUBJECT MATTER SHOWN AND DESCRIBED IN THIS DRAWING AND ANY OTHER INFORMATION ADVANCED IN CONNECTION THEREWITH, IS PROPRIETARY PROPERTY AND IS TO BE HELD IN STRICT CONFIDENCE BY YOU. ALL RIGHTS TO ANY INVENTIONS, DESIGNS, TRADE MARKS, TRADE NAMES AND COPYRIGHTS DISCLOSED ARE RESERVED TO TICO TERMINAL SERVICES, INC.			SIZE B	DWG. NO. 721787-A1	REV A
FINISH N/A				SCALE: 1:16	WEIGHT:	SHEET 1 OF 1
THICKNESS N/A						

8 7 6 5 4 3 2 1

