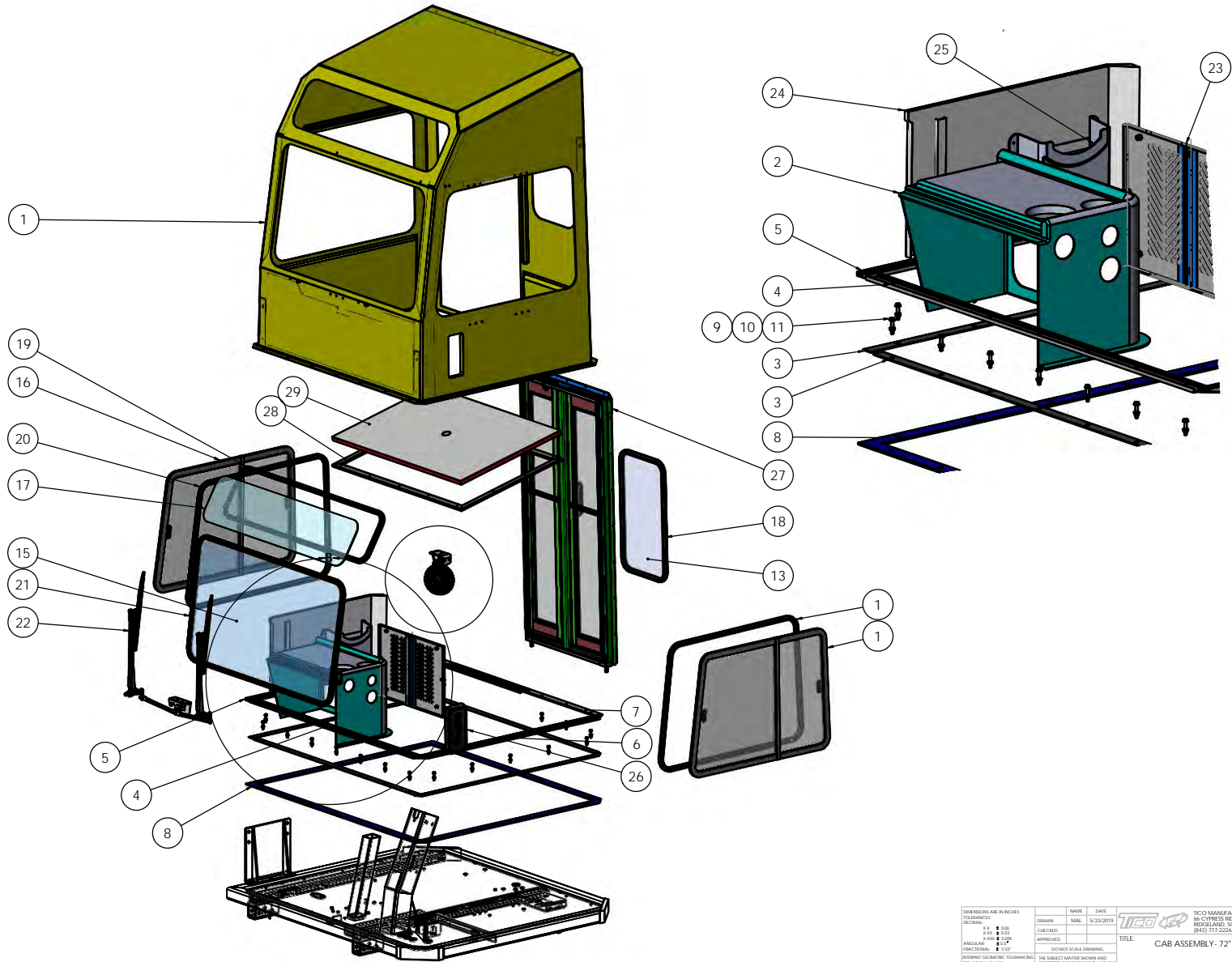


CAB FAN



DIMENSIONS ARE IN INCHES TOLERANCES: DECIMALS .0000 FRACTIONS 1/32 ANGULAR ± 0.1° HORIZONTAL GEOMETRIC TOLERANCING PER ASME Y14.5M-1994	NAME: MAL DATE: 5/23/2019 CHECKED: APPROVED: DOTTED SCALE DRAWING THE SUBJECT MATTER SHOWN AND DESCRIBED IN THE DRAWING AND ANY OTHER INFORMATION CONTAINED HEREIN IS THE PROPERTY OF WIPAC AND IS TO BE USED FOR THE PURPOSES SPECIFIED ONLY. ALL RIGHTS TO ANY PATENT, TRADEMARK, OR COPYRIGHT ARE RESERVED TO WIPAC.	TITLE: CAB ASSEMBLY - 72" SIZE: D DWG. NO: 721781-A1 SCALE: 1:32 WEIGHT:	TICO MANUFACTURING 88 CYPRUS ROAD DR. ROCKLAND, NC 27856 (843) 717-2226 REV: SHEET 1 OF 1
--	--	--	---

TICO PRO-SPOTTER			
CAB ASSEMBLY-72"			721781
ITEM	PART #	QTY/M	DESCRIPTION
1	920386	1	CAB ASSY - RAISED ROOF, 72" DOOR, 122" MIRROR, DAFFODIL YELLOW, RAL#1007
2	90817-3	1	DOG BOX ACC HEATER/AC
NS	91903	8	NUT, 10-32 TINNEMAN
3	90007-1	1	ASSEMBLY, 1 1/2" RUBBER STRIP
4	90193-1	1	CHANNEL CAB HOLD DOWN FRONT
5	91842	1	CHANNEL, CAB HOLD DOWN RIGHT SIDE
6	90193-3	1	CHANNEL CAB HOLD DOWN LEFT
7	91899	1	REAR HOLD DOWN, 2015 NON SLIP
8	90007-3	1	ASSEMBLY, 1 1/4" RUBBER STRIP
9	82404	21	BOLT, HX HD 5/16-18 X 1 3/4 LG
10	85090	42	WASHER, FLAT 5/16 PLATED
11	85024	21	NUT, 5/16-18 HEX NYLOCK PLATED
13	90425	1	WINDOW-REAR
14	920290	1	WINDOW ASSY-LH SIDE, SLIDER, 50/50, DOT W/NON-GLARE GLASS, BLUE/GREEN TINT
15	90420	1	WINDOW-WINDSHIELD
16	91931	1	WINDOW ASSY-RH SIDE, SLIDER, 60/40
17	90421	1	WINDOW-UPPER FRONT
18	90521-1	1	WEATHERSTRIP-BACK WINDOW (88")
19	90521-2	1	WEATHERSTRIP-TOP FRNT WINDOW (130")
20	90521-4	2	WEATHERSTRIP-SIDE BOT WINDOW (2@142"EA)
21	90521-5	1	WEATHERSTRIP-WINDSHIELD (164")
NS	90522	70 FT	LOCK STRIP-WINDOW RUBBER
22	91632	1	WIPER KIT CAB
23	91902	1	COVER, ACC HEATER BOX
24	90775	1	SIDE WALL PANEL
25	90778	1	REMOVEABLE DOCUMENT HOLDER
NS	90773-1	1	DASH HEATER BOX COVER COMPOSITE
26	90180	1	VENT-SIDE DOOR
27	91700	1	DOOR ASSY - 72", BODE
NS	82382	16	BOLT - 5/16 NC X 1 1/4 LG
NS	85090	20	WASHER, FLAT 5/16
NS	85035	20	NUT, 5/16 X 18 NC HEX
NS	82371	4	BOLT - 5/16 NC X 1 LG
NS	91155	24 FT	SEAL - CLOSED CELL FOAM-DOOR
NS	91155	2 FT	SEAL - CLOSED CELL FOAM-DOOR
REV	DATE	BY	SHEET
A	5/23/2019	MAL	1 OF 2

