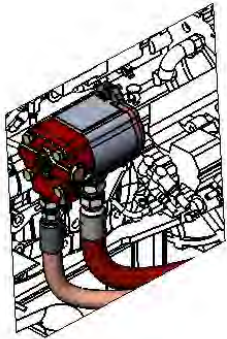
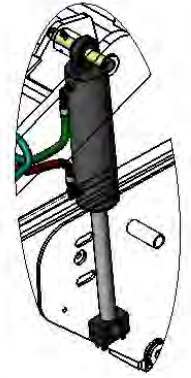
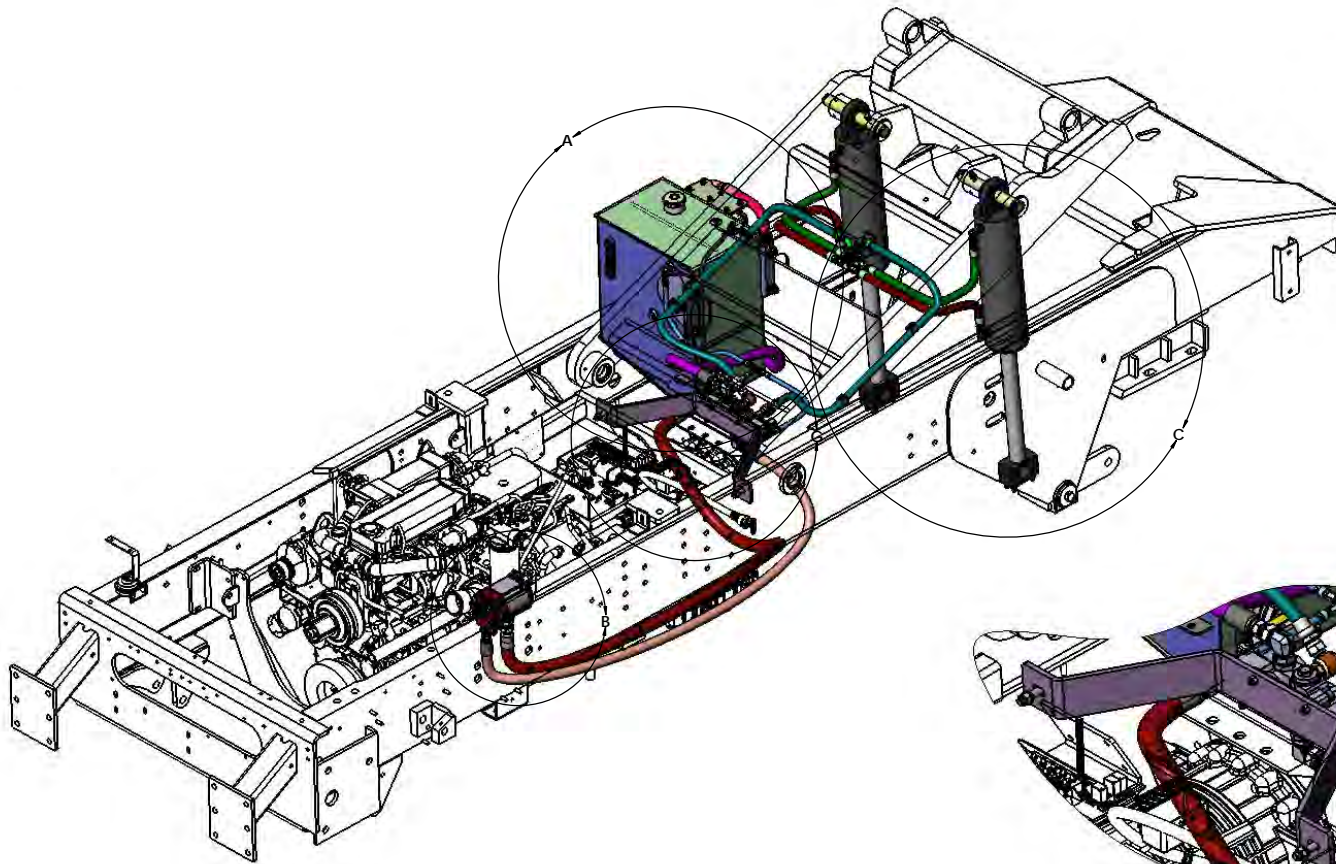


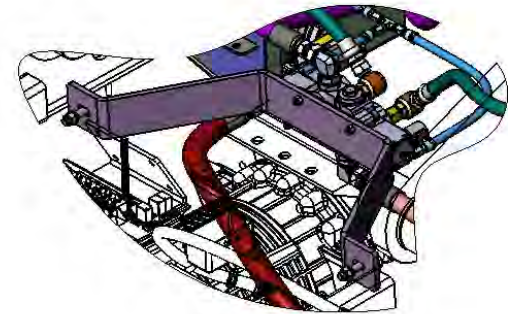
A. HYDRAULIC TANK & FITTINGS
PAGE 2



B. HYDRAULIC PUMP
PAGE 2



C. CYLINDERS
& HOSES
PAGE 3



D. DIRECTIONAL CONTROL VALVE
PAGE 2

HYDRAULIC SYSTEM
PAGE 1 OVERVIEW PAGE
PAGE 2 PUMP, TANK, AND DCV
PAGE 3 CYLINDERS
PAGE 4 HOSES
PAGE 5-7 PARTS LIST

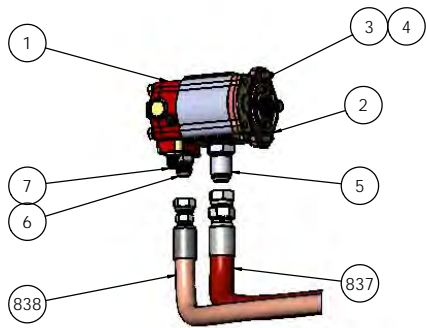
DIMENSIONS ARE IN INCHES		NAME	DATE	
TOLERANCES:	DECIMALS	DESIGN	MAL	08/08/2017
FINISH:	0.005	CHECKED		
0.010	0.010	APPROVED		
0.015	0.015			
0.020	0.020			
ANGULAR	± 0.1°			
FRACTIONAL	± 1/32"			
DOTTED SCALE DRAWING				
THE SUBJECT MATTER SHOWN AND DESCRIBED IN THE DRAWING AND ANY CORRECTIONS THEREON ARE THE PROPERTY OF TICO MANUFACTURING INC. ALL RIGHTS TO ANY PATENTED OR UNPATENTED INVENTIONS, TRADE MARKS AND/OR COMMERCIAL DESIGN ARE RESERVED TO TICO MANUFACTURING INC.				
SCALE:	N/A	SIZE	DWG. NO.	
SEE NOTE		D	721774-A1	
REVISION:	N/A	REV		

TICO MANUFACTURING
INC. CYPRESS RIDGE DR.
ROCKLAND, NC 27856
(843) 717-2226

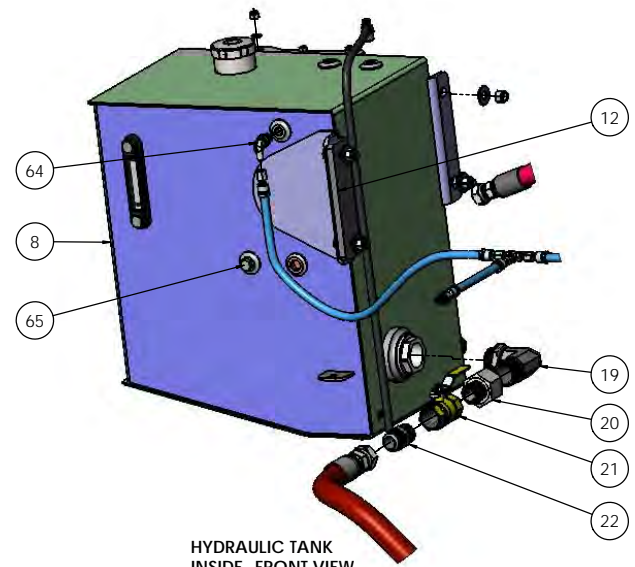
TITLE: HYDRAULIC SYSTEM, 2017-08

SCALE: 1:32 [WEIGHT: 5843.41] SHEET 1 OF 4

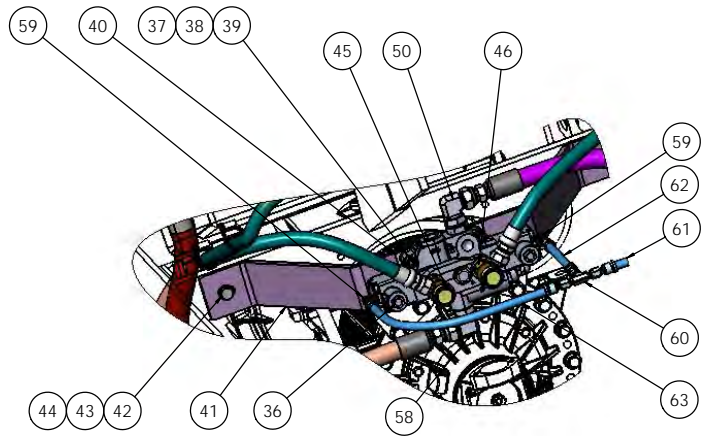
D 721774-A1



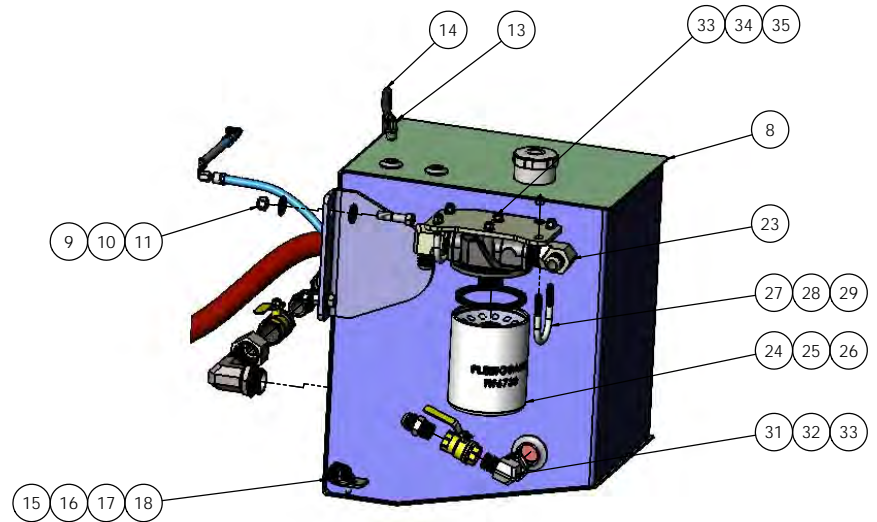
HYDRAULIC PUMP



HYDRAULIC TANK
INSIDE -FRONT VIEW



DIRECTIONAL CONTROL VALVE
(DCV)



HYDRAULIC TANK REAR
& TOP VIEW

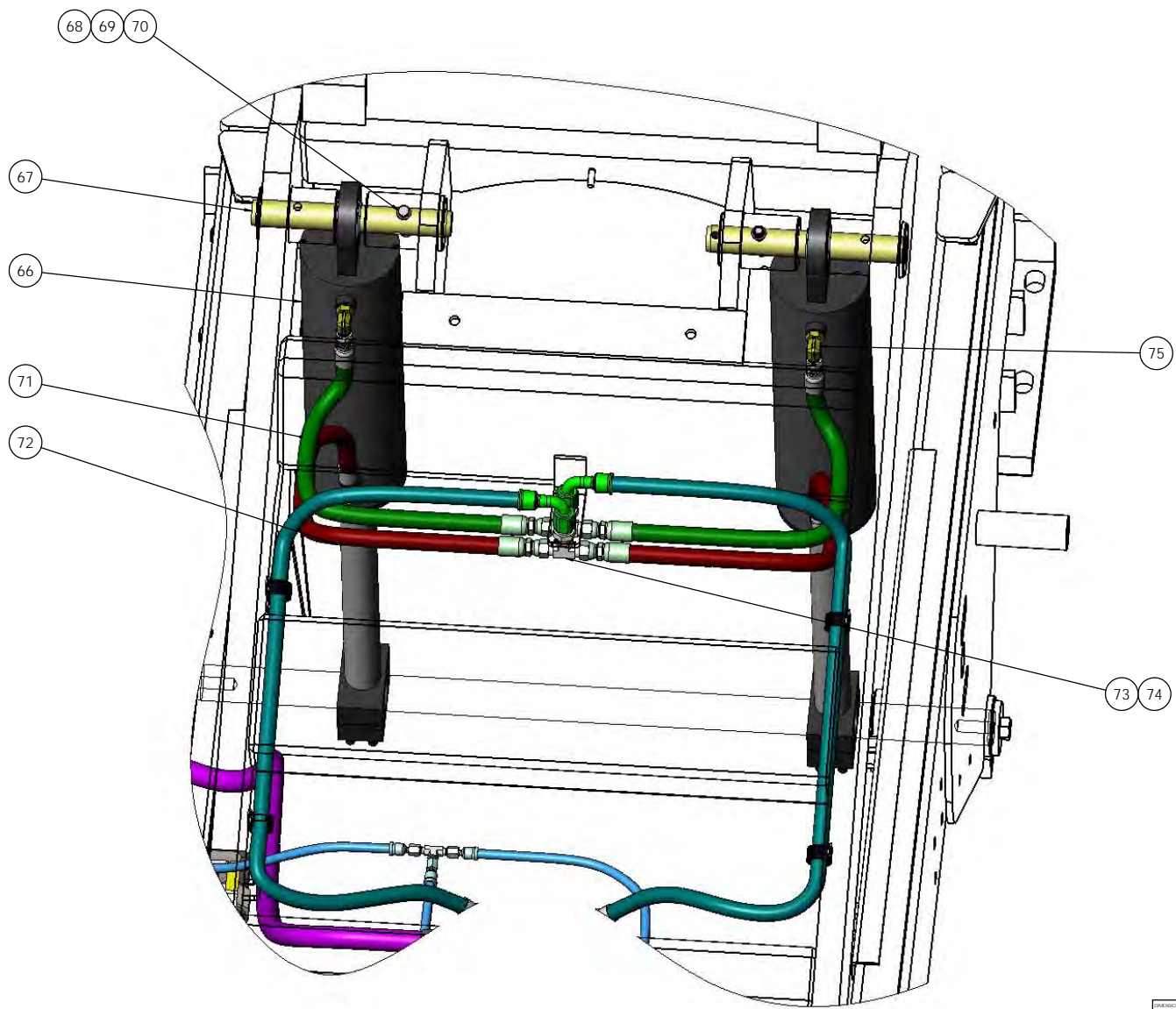
REFERENCES ARE IN FIGURES	DATE	BY	DATE
TOLERANCES UNLESS OTHERWISE SPECIFIED:	ISSUED	ISSUED	06/08/2017
FRACTIONAL	CHECKED		
DECIMAL			
ANGULAR			
FUNCTIONAL			
CHECKED SCALE DRAWING			
REVISIONS: DIMENSIONS, TOLERANCES AND FINISHES AS SHOWN	THE DRAWING PARTS SHOWN AND DIMENSIONS ARE THE CURRENT AND ARE CORRECT FOR THE DRAWING DATE AND SHALL BE USED FOR ALL PARTS TO BE MANUFACTURED UNLESS OTHERWISE SPECIFIED BY A REVISION.		
DATE	BY	DATE	BY
06/08/2017			
SEE NOTE			
SCALE: 1:32 WEIGHT: 5843.41 SHEET 2 OF 4			

721774-A1


TICO/TERMINAL SERVICE
460 CYPRUS ROAD DR.
ROCKLAND, NC 27854
(843) 717-2226

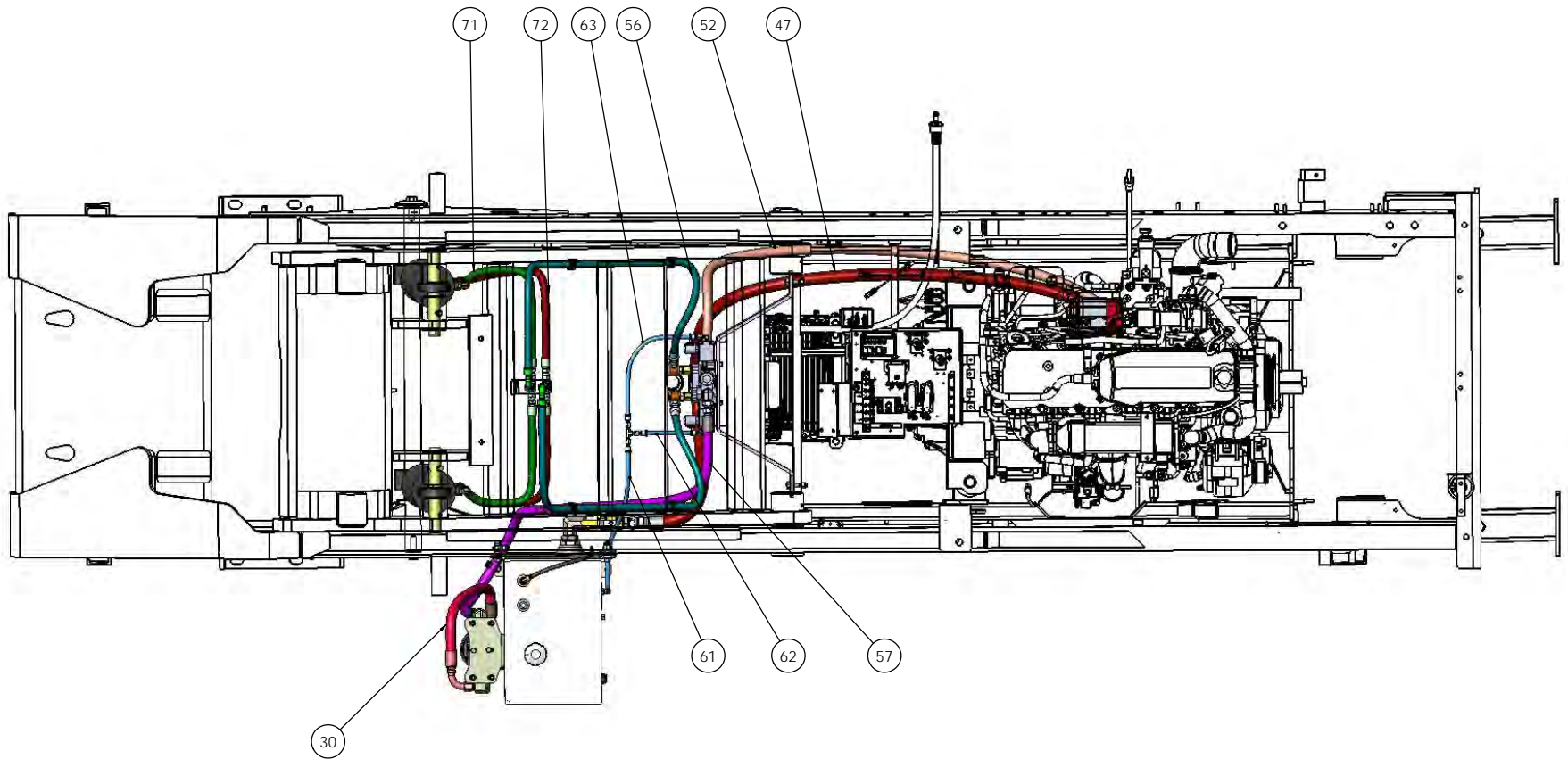
TITLE: HYDRAULIC SYSTEM, 2017-II

SIZE: D
DWG. NO: 721774-A1
REV: 1

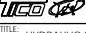


REFERENCES ARE IN INCHES	SCALE	DATE	TCO/TERMINAL SERVICE
TOLERANCES UNLESS OTHERWISE SPECIFIED:	DRAWN	ISSUE	AS CYPRUS ROUSE DR.
FRACTIONS 1/16, 1/8, 3/16, 1/4, 3/8, 1/2, 5/8, 3/4, 7/8	CHECKED	05/08/2017	ROCKLAND, SC 29588
DECIMALS .001, .005, .010, .015, .020, .030, .040, .050, .060, .070, .080, .090, .100	APPROVED		(843) 717-2226
ANGULAR 1/4°, 1/2°, 3/4°, 1°	REVISED		
FUNCTIONS .001, .002, .003, .004, .005, .006, .007, .008, .009, .010	NOTED SCALE CHANGES		
REVISIONS: DIMENSIONS UNLESS OTHERWISE SPECIFIED ARE IN INCHES	REVISIONS: DIMENSIONS UNLESS OTHERWISE SPECIFIED ARE IN INCHES		
DATE	DESCRIPTION	DATE	DESCRIPTION
SEE NOTE			


TITLE: HYDRAULIC SYSTEM, 2017-II
SIZE: D **DWG. NO.:** 721774-A1 **REV:**
SCALE: 1:32 **WEIGHT:** 5843.41 **SHEET:** 3 OF 4



REFERENCES ARE IN INCHES	DATE	10/08/2017	TICO/TERMINAL SERVICE
TOLERANCES UNLESS OTHERWISE SPECIFIED:	DESIGNED	10/08/2017	BY: CYRUS ROGUE OR
FRACTIONAL: 1/16, 1/8, 3/16, 1/4, 3/8, 1/2, 5/8, 3/4, 7/8	CHECKED		ROCKLAND, NC 27854
DECIMAL: 0.005, 0.010, 0.015, 0.020, 0.030, 0.040, 0.050, 0.060, 0.070, 0.080, 0.090, 0.100, 0.125, 0.150, 0.175, 0.200, 0.250, 0.300, 0.375, 0.450, 0.500	APPROVED		(843) 717-2226
ANGULAR: 0.1°, 0.2°, 0.5°, 1.0°, 1.5°, 2.0°, 3.0°, 4.0°, 5.0°, 6.0°, 7.0°, 8.0°, 9.0°, 10.0°, 12.0°, 15.0°, 18.0°, 20.0°, 25.0°, 30.0°, 35.0°, 40.0°, 45.0°, 50.0°, 55.0°, 60.0°, 65.0°, 70.0°, 75.0°, 80.0°, 85.0°, 90.0°, 95.0°, 100.0°	NOTED SCALE CHANGES		
FUNCTIONAL: 0.1°, 0.2°, 0.5°, 1.0°, 1.5°, 2.0°, 3.0°, 4.0°, 5.0°, 6.0°, 7.0°, 8.0°, 9.0°, 10.0°, 12.0°, 15.0°, 18.0°, 20.0°, 25.0°, 30.0°, 35.0°, 40.0°, 45.0°, 50.0°, 55.0°, 60.0°, 65.0°, 70.0°, 75.0°, 80.0°, 85.0°, 90.0°, 95.0°, 100.0°			
UNLESS OTHERWISE SPECIFIED, DIMENSIONS ARE TO BE TAKEN TO THE CENTERLINE OF THE PART UNLESS OTHERWISE SPECIFIED.			
SEE NOTE			


TITLE: HYDRAULIC SYSTEM, 2017-II
SIZE: D **DWG. NO.:** 721774-A1 **REV:**
SCALE: 1:32 **WEIGHT:** 5843.41 **SHEET:** 4 OF 4

D 721774-A1

TICO PRO-SPOTTER				
HYDRAULIC SYSTEM, 2017-II 116"WB				721826
ITEM	PART #	QTY/M	DESCRIPTION	
	721826-D1	REF	HYDRAULIC SYSTEM, 2017-II 116"WB	
1	620888	1	PUMP - 20 GPM, 5 GPM STEER PRIORITY	
2	60212	1	GASKET	
3	80175	2	BOLT - SOC HD M10 X 1.5 X 30MM LG	
4	85091	2	WASHER 3/8	
5	42018	1	FITTING, STR ADAPTER STEEL, 1" O"RING X 1" JIC - PUMP SUCTION	
6	40471	1	FITTING, STR ADAPTER STEEL, 3/4" O-RING X 3/4" JIC	
7	42006	1	FITTING, STR ADAPTER STEEL, 1/2" O-RING X 1/2" JIC	
8	420340	1	TANK-HYDRAULIC, 18.5 GAL, VENTED W/SAE PORTS, NON VENTED CAP, LH FILTER	
9	82418	4	BOLT, HEX 1/2-13 X 2 LG	
10	85027	4	NUT, NYLOK 1/2-13	
11	85104	8	FLATWASHER 1/2	
12	30174	1	SPACER - HYDRAULIC TANK	
13	40823	1	FITTING, ELBOW 90° STEEL, 3/8 TUBE X 3/8 NPT (@ TANK TOP)	
14	11004	3 FT	TUBING - NYLON AIR BRAKE BLACK - 3/8" DIA	
15	40593	1	P, CLAMP	
16	82371	1	BOLT, HEX 5/16-18 X 1" LG	
17	85024	1	NUT, NYLOK 5/16-18	
18	85112	2	WASHER 5/16	
19	420376	1	FITTING-ELBOW,SAE O-RING (-20) 1-5/8"-12 THREAD X 1-1/4"-11.5 NPT (MALE), STEEL	
20	420383	1	FITTING-ADAPTER, 1-1/4" NPT (FEMALE) X 1" NPT (MALE), STEEL	
21	40146	1	SHUT-OFF VALVE - 1"	
22	40961	1	FITTING, STR ADAPTER STEEL, 1" JIC X 1" NPT (@ SHUT-OFF)	
23	420382	2	FITTING, ELBOW,90°, 1 1/4 NPT (MALE) X 3/4" JIC (MALE)	
24	60556-2	1	FILTER HEAD	
25	60556-1	1	FILTER	
26	1026037	1	SEAL	
27	20100	2	U-BOLT (3/8" DIA x 2" ID x 3-5/8" OAL)	
28	85091	4	WASHER, 3/8" HRDN	
29	85025	4	NUT, 3/8"-16 NYLOK	
30	410344	1	HOSE ASS'Y - 3/4" X 25 HOSE X 30-1/16 OAL - FILTER TO TANK	
31	420379	1	FITTING-ELBOW,SAE O-RING (-16) 1-5/16-12 THREAD X 3/4"-14 NPT (MALE), STEEL	
32	40147	1	SHUT-OFF VALVE - 3/4"	
33	40961	1	FITTING-1" JIC X 1" NPT (MALE), STEEL	
33	82371	2	BOLT - HEX 5/16-18 X 1" LG - FILTER TO TANK	
34	85090	2	WASHER - 5/16	
35	85134	2	LOCKWASHER 5/16	
NOT SHOWN	42182	1	ADAPTER, 1" NPT(MALE) X 3/4" NPT (FEMALE), STEEL	
REV	DATE	BY		SHEET
A	8/8/2017	MAL		1 OF 3

TICO MANUFACTURING - RIDGELAND, SC 29936

