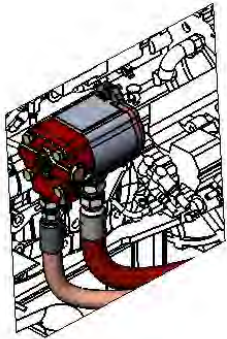
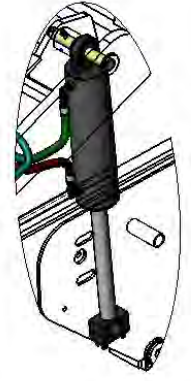
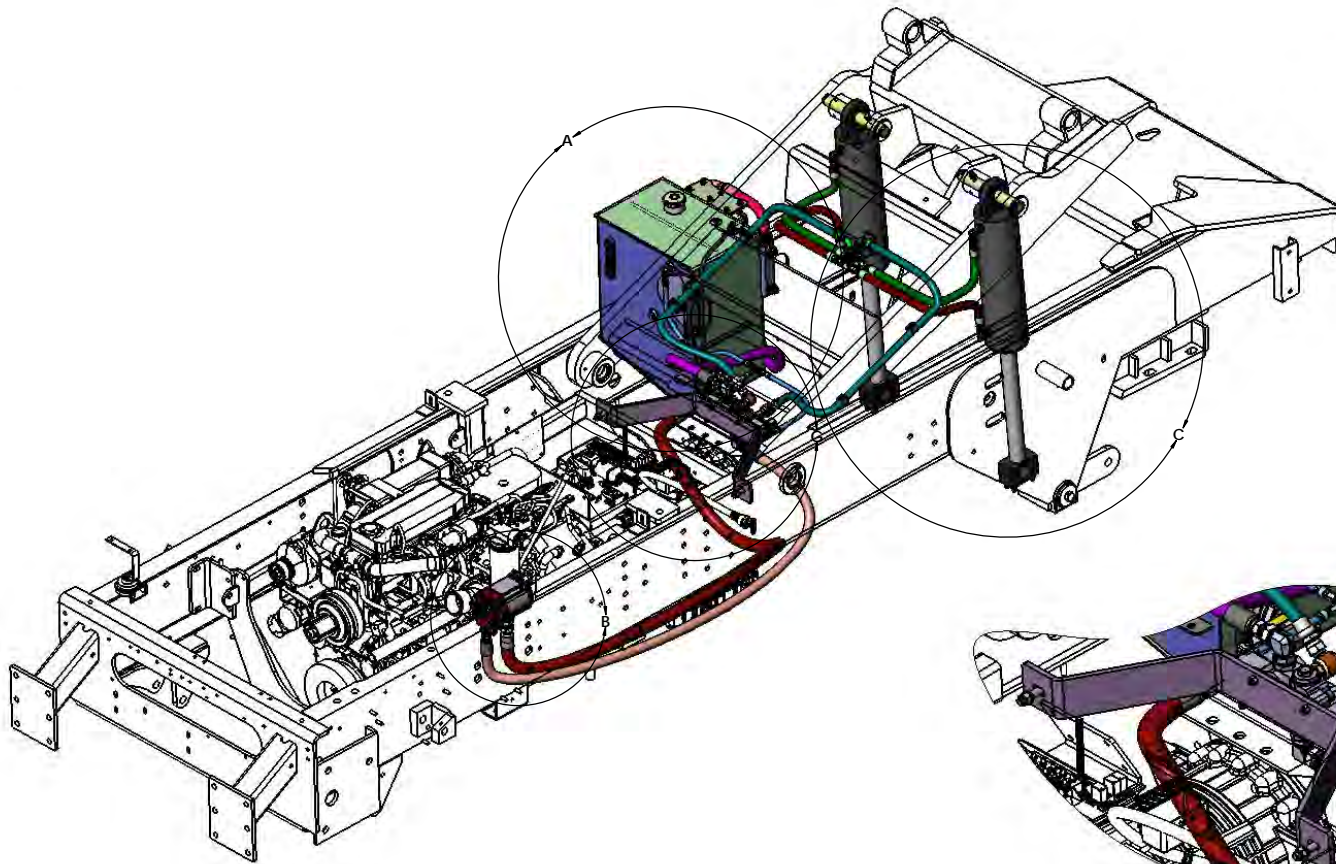


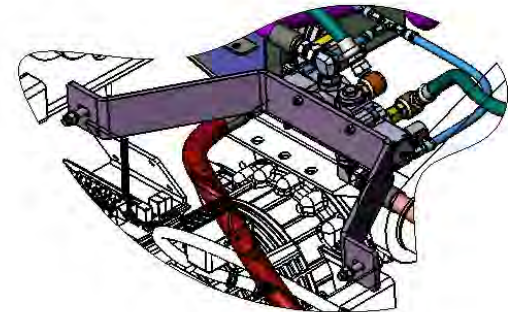
A. HYDRAULIC TANK & FITTINGS
PAGE 2



B. HYDRAULIC PUMP
PAGE 2



C. CYLINDERS
& HOSES
PAGE 3



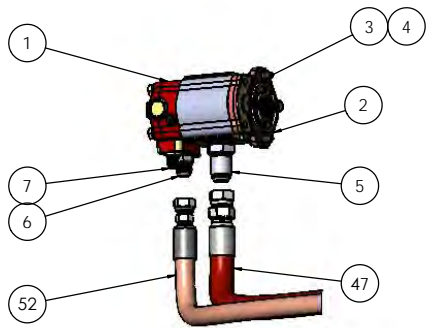
D. DIRECTIONAL CONTROL VALVE
PAGE 2

HYDRAULIC SYSTEM
PAGE 1 OVERVIEW PAGE
PAGE 2 PUMP, TANK, AND DCV
PAGE 3 CYLINDERS
PAGE 4 HOSES
PAGE 5-7 PARTS LIST

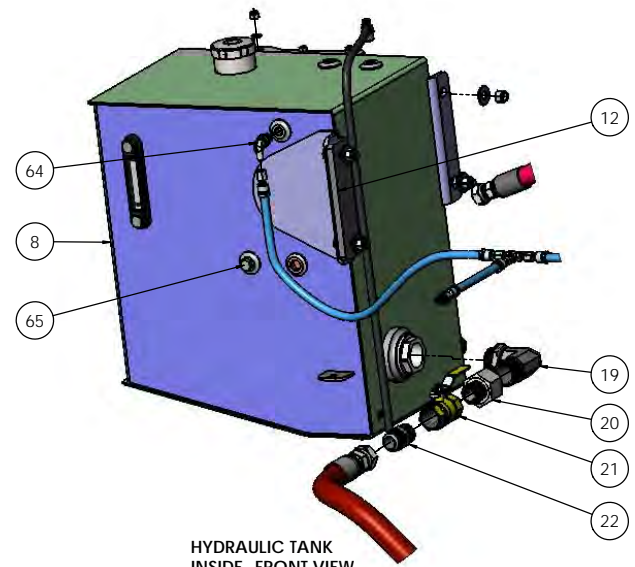
DIMENSIONS ARE IN INCHES		NAME	DATE
TOLERANCES UNLESS SPECIFIED:		DESIGN	MAL 08/08/2017
FINISH:		CHECKED	
XXX ± 0.05		APPROVED	
XXX ± 0.10			
ANGULAR ± 0.1°			
FRACTIONAL ± 1/32"			
DO NOT SCALE DRAWING			
THE SUBJECT MATTER SHOWN AND DESCRIBED IN THE DRAWING AND ANY OTHER INFORMATION CONTAINED HEREIN IS THE PROPERTY OF TICO AND IS TO BE USED FOR THE PURPOSES SPECIFIED ONLY. ALL RIGHTS TO ANY PATENTS, TRADEMARKS, OR OTHER INTELLECTUAL PROPERTY ARE RESERVED TO TICO. TICO ASSUMES NO LIABILITY FOR ANY DAMAGE OR INJURY TO PERSONS OR PROPERTY ARISING FROM THE USE OF THIS DRAWING.			
SCALE:	N/A	SIZE	DWG. NO.
SEE NOTE		D	721772-81
REVISED:	N/A	SCALE:	1:32 [WEIGHT: 5843.41] SHEET 1 OF 4

D 721772-81

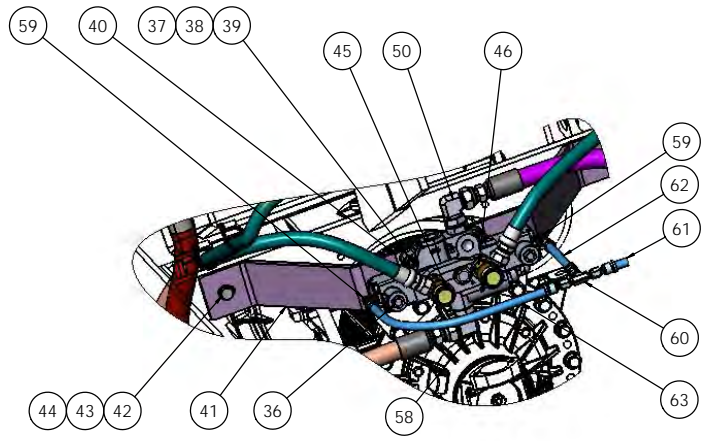
A



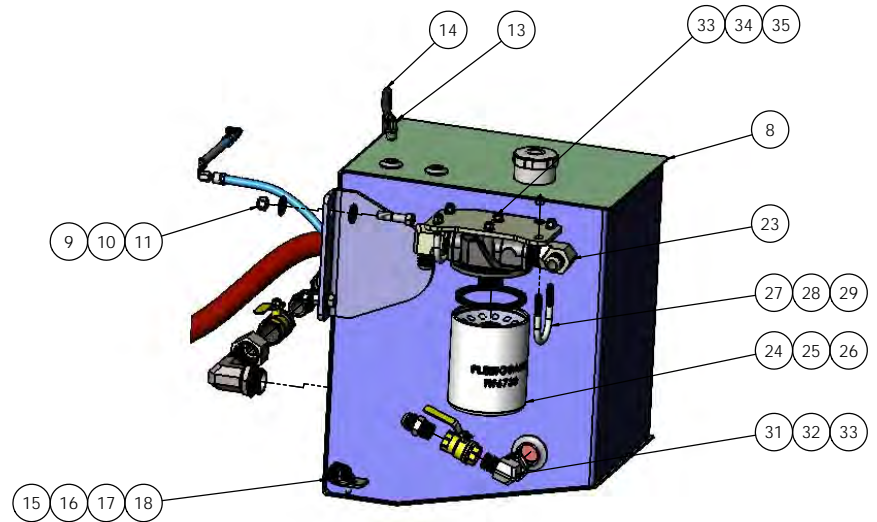
HYDRAULIC PUMP



HYDRAULIC TANK
INSIDE -FRONT VIEW



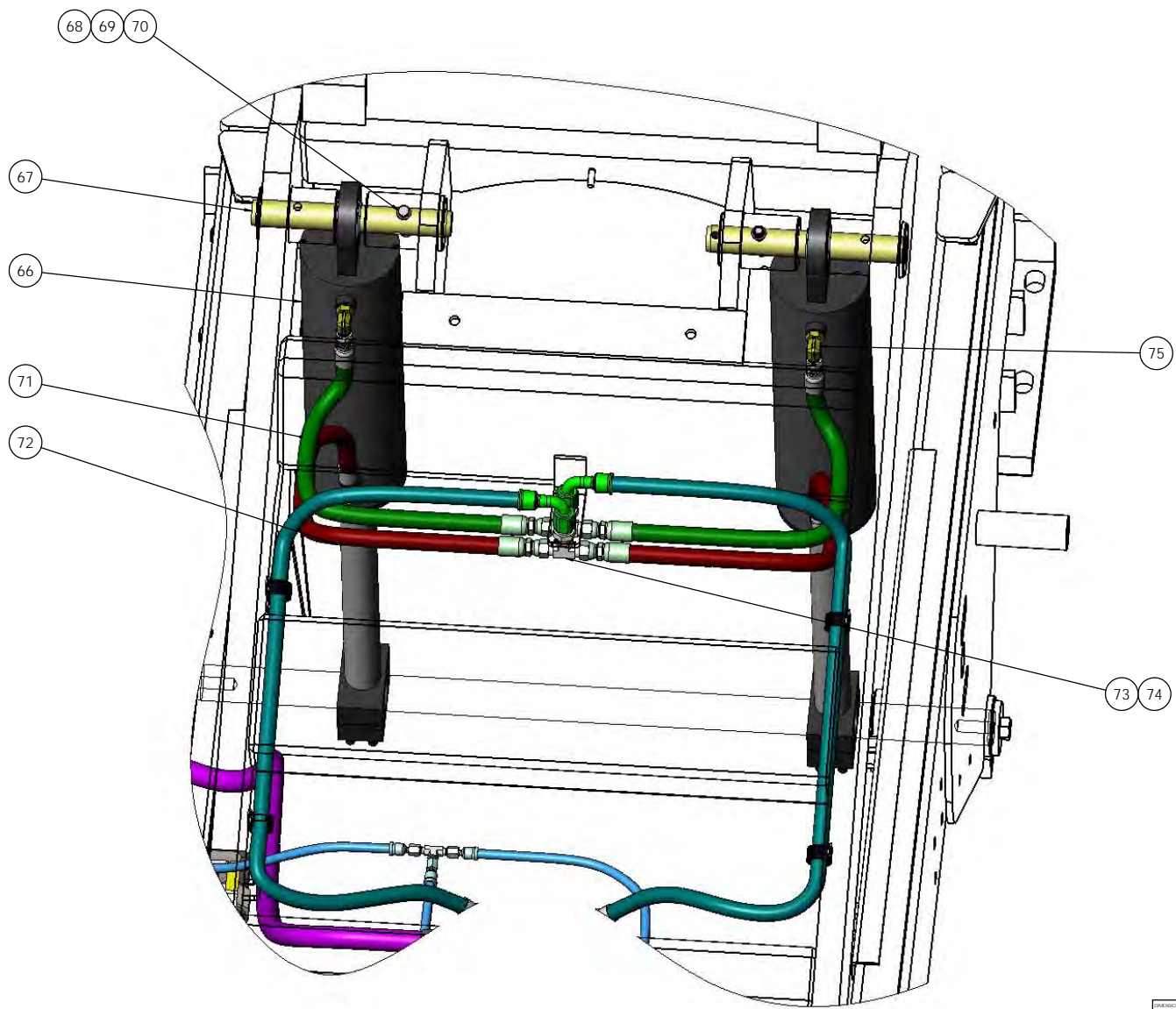
DIRECTIONAL CONTROL VALVE
(DCV)



HYDRAULIC TANK REAR
& TOP VIEW

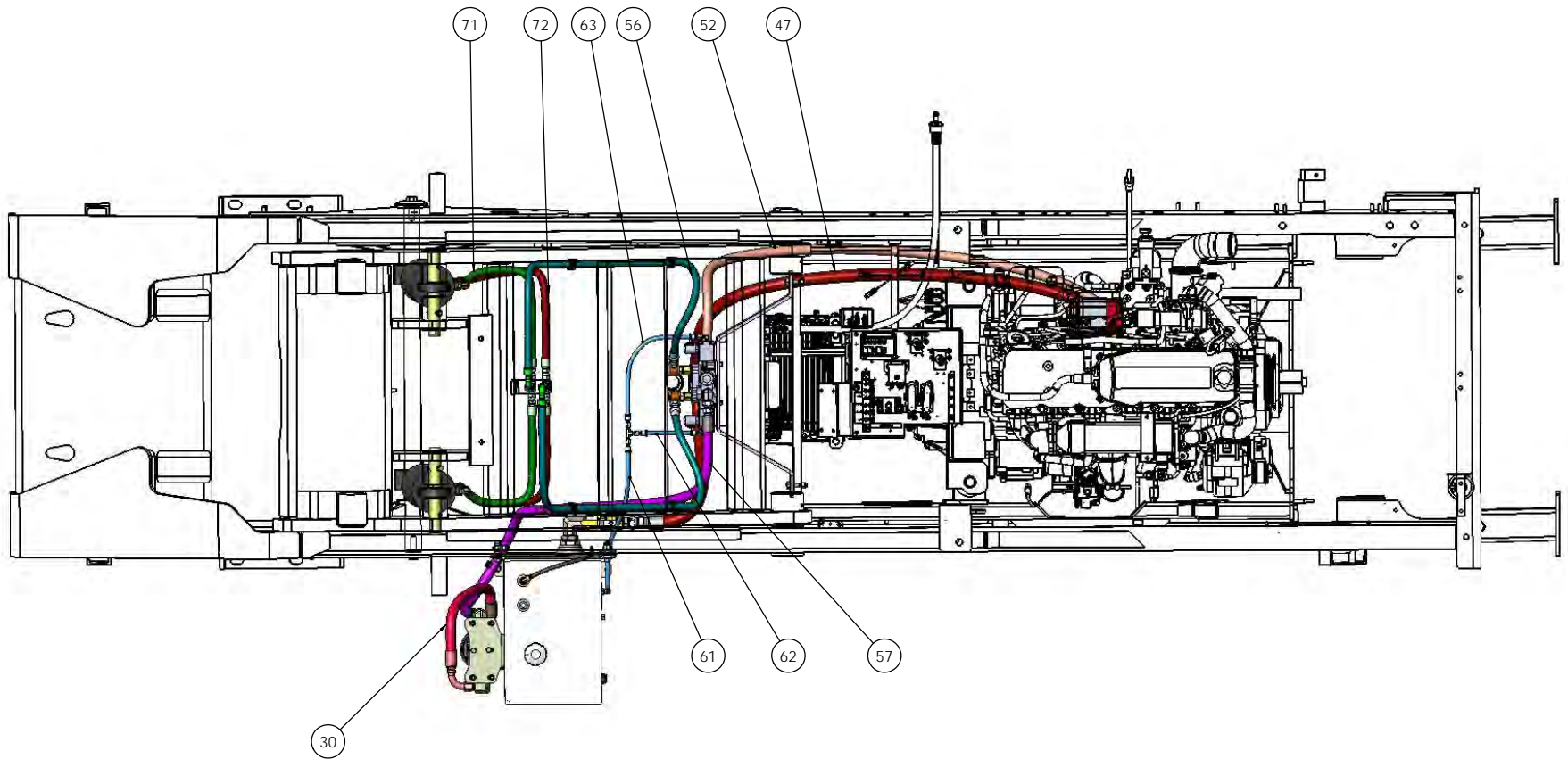
REFERENCES ARE IN FIGURES	DATE	06/08/2017
TOLERANCES UNLESS OTHERWISE SPECIFIED	DESIGNED	
FRACTIONAL	CHECKED	
DECIMAL	APPROVED	
ANGULAR		
FUNCTIONAL		
UNLESS OTHERWISE SPECIFIED		
FINISH		
SEE NOTE		
SCALE		

THE DIMENSIONS SHOWN AND SPECIFIED ON THIS DRAWING ARE TO BE CONSIDERED AS APPROXIMATE AND ALL DIMENSIONS SHALL BE TO THE CENTERLINE UNLESS OTHERWISE SPECIFIED.	
ALL DIMENSIONS SHALL BE TO THE CENTERLINE UNLESS OTHERWISE SPECIFIED.	TITLE: HYDRAULIC SYSTEM, 2017-III SIZE: D DWG. NO: 721772-81 SCALE: 1:32 WEIGHT: 5843.41 SHEET 2 OF 4



REFERENCES ARE IN FIGURES	SCALE	DATE	 TCCO/TERMINAL SERVICE 60 CYPRUS ROAD DR. ROCKLAND, NC 27854 (843) 717-2226
DESIGNED BY	ISSUED	05/08/2017	
BY	CHECKED		TITLE: HYDRAULIC SYSTEM, 2017-II
DATE	APPROVED		
ANGULAR	PROJECT SCALE DRAWING		
FRACTIONAL			
REVISIONS	THE DIMENSIONS SHOWN AND DIMENSIONS IN PARENTHESES ARE GIVEN IN MILLIMETERS UNLESS OTHERWISE SPECIFIED. DIMENSIONS IN PARENTHESES TAKE PRECEDENCE OVER DIMENSIONS IN FIGURES. DIMENSIONS IN FIGURES TAKE PRECEDENCE OVER DIMENSIONS IN PARENTHESES. DIMENSIONS IN FIGURES AND DIMENSIONS IN PARENTHESES ARE GIVEN IN MILLIMETERS UNLESS OTHERWISE SPECIFIED. DIMENSIONS IN FIGURES TAKE PRECEDENCE OVER DIMENSIONS IN PARENTHESES. DIMENSIONS IN PARENTHESES TAKE PRECEDENCE OVER DIMENSIONS IN FIGURES.		
SIZE	DWG. NO.	REV	
D	721772-B1		
SCALE: 1:32	WEIGHT: 5843.41	SHEET 3 OF 4	

D 721772-B1



REFERENCES ARE IN INCHES	DATE	7/20/2017	TICO/TERMINAL SERVICE
DRAWN	SCALE	1:1	BY CYRUS ROGUE DR.
CHECKED			ROCKLAND, NC 27854
APPROVED			(843) 717-2226
REVISIONS			
NO. & DATE	DESCRIPTION		
1. 7/20/17	INITIALS		
2. 7/20/17			
3. 7/20/17			
4. 7/20/17			
5. 7/20/17			
6. 7/20/17			
7. 7/20/17			
8. 7/20/17			
9. 7/20/17			
10. 7/20/17			
11. 7/20/17			
12. 7/20/17			
13. 7/20/17			
14. 7/20/17			
15. 7/20/17			
16. 7/20/17			
17. 7/20/17			
18. 7/20/17			
19. 7/20/17			
20. 7/20/17			
21. 7/20/17			
22. 7/20/17			
23. 7/20/17			
24. 7/20/17			
25. 7/20/17			
26. 7/20/17			
27. 7/20/17			
28. 7/20/17			
29. 7/20/17			
30. 7/20/17			
31. 7/20/17			
32. 7/20/17			
33. 7/20/17			
34. 7/20/17			
35. 7/20/17			
36. 7/20/17			
37. 7/20/17			
38. 7/20/17			
39. 7/20/17			
40. 7/20/17			
41. 7/20/17			
42. 7/20/17			
43. 7/20/17			
44. 7/20/17			
45. 7/20/17			
46. 7/20/17			
47. 7/20/17			
48. 7/20/17			
49. 7/20/17			
50. 7/20/17			
51. 7/20/17			
52. 7/20/17			
53. 7/20/17			
54. 7/20/17			
55. 7/20/17			
56. 7/20/17			
57. 7/20/17			
58. 7/20/17			
59. 7/20/17			
60. 7/20/17			
61. 7/20/17			
62. 7/20/17			
63. 7/20/17			
64. 7/20/17			
65. 7/20/17			
66. 7/20/17			
67. 7/20/17			
68. 7/20/17			
69. 7/20/17			
70. 7/20/17			
71. 7/20/17			
72. 7/20/17			
73. 7/20/17			
74. 7/20/17			
75. 7/20/17			
76. 7/20/17			
77. 7/20/17			
78. 7/20/17			
79. 7/20/17			
80. 7/20/17			
81. 7/20/17			
82. 7/20/17			
83. 7/20/17			
84. 7/20/17			
85. 7/20/17			
86. 7/20/17			
87. 7/20/17			
88. 7/20/17			
89. 7/20/17			
90. 7/20/17			
91. 7/20/17			
92. 7/20/17			
93. 7/20/17			
94. 7/20/17			
95. 7/20/17			
96. 7/20/17			
97. 7/20/17			
98. 7/20/17			
99. 7/20/17			
100. 7/20/17			

TICO/TERMINAL SERVICE
 400 CYRUS ROGUE DR.
 ROCKLAND, NC 27854
 (843) 717-2226

WECO

TITLE: HYDRAULIC SYSTEM, 2017-II

SIZE: D
 DWG. NO.: 721772-81
 REV:

SCALE: 1:32 | WEIGHT: 5843.41 | SHEET 4 OF 4

721772-81

TICO PRO-SPOTTER				
HYDRAULIC SYSTEM, 2017-II 116"WB				721772
ITEM	PART #	QTY/M	DESCRIPTION	
	721602-A1	REF	HYDRAULIC SYSTEM, 2017-II 116"WB	
1	620888	1	PUMP - 20 GPM, 5 GPM STEER PRIORITY	
2	60212	1	GASKET	
3	80175	2	BOLT - SOC HD M10 X 1.5 X 30MM LG	
4	85091	2	WASHER 3/8	
5	42018	1	FITTING, STR ADAPTER STEEL, 1" O"RING X 1" JIC - PUMP SUCTION	
6	40471	1	FITTING, STR ADAPTER STEEL, 3/4" O-RING X 3/4" JIC	
7	42006	1	FITTING, STR ADAPTER STEEL, 1/2" O-RING X 1/2" JIC	
8	420340	1	TANK-HYDRAULIC, 18.5 GAL, VENTED W/SAE PORTS, NON VENTED CAP, LH FILTER	
9	82418	4	BOLT, HEX 1/2-13 X 2 LG	
10	85027	4	NUT, NYLOK 1/2-13	
11	85104	8	FLATWASHER 1/2	
12	30174	1	SPACER - HYDRAULIC TANK	
13	40823	1	FITTING, ELBOW 90° STEEL, 3/8 TUBE X 3/8 NPT (@ TANK TOP)	
14	11004	3 FT	TUBING - NYLON AIR BRAKE BLACK - 3/8" DIA	
15	40593	1	P, CLAMP	
16	82371	1	BOLT, HEX 5/16-18 X 1" LG	
17	85024	1	NUT, NYLOK 5/16-18	
18	85112	2	WASHER 5/16	
19	420377	1	FITTING-ELBOW,SAE O-RING (-20) 1-5/16" THREAD X 1" -11 NPT (MALE), STEEL	
20	420383	1	FITTING-ADAPTER, 1-1/4" NPT (FEMALE) X 1" NPT (MALE), STEEL	
21	40146	1	SHUT-OFF VALVE - 1"	
22	40961	1	FITTING, STR ADAPTER STEEL, 1" JIC X 1" NPT (@ SHUT-OFF)	
23	420382	2	FITTING, ELBOW,90°, 1 1/4 NPT (MALE) X 3/4" JIC (MALE)	
24	60556-2	1	FILTER HEAD	
25	60556-1	1	FILTER	
26	1026037	1	SEAL	
27	20100	2	U-BOLT (3/8" DIA x 2" ID x 3-5/8" OAL)	
28	85091	4	WASHER, 3/8" HRDN	
29	85025	4	NUT, 3/8"-16 NYLOK	
30	410344	1	HOSE ASS'Y - 3/4" X 25 HOSE X 30-1/16 OAL - FILTER TO TANK	
31	420379	1	FITTING-ELBOW,SAE O-RING (-16) 1-5/16-12 THREAD X 3/4"-14 NPT (MALE), STEEL	
32	40147	1	SHUT-OFF VALVE - 3/4"	
33	40961	1	FITTING-1" JIC X 1" NPT (MALE), STEEL	
33	82371	2	BOLT - HEX 5/16-18 X 1" LG - FILTER TO TANK	
34	85090	2	WASHER - 5/16	
35	85134	2	LOCKWASHER 5/16	
NOT SHOWN	42182	1	ADAPTER, 1" NPT(MALE) X 3/4" NPT (FEMALE), STEEL	
REV	DATE	BY		SHEET
B	8/8/2017	MAL		1 OF 3

TICO MANUFACTURING - RIDGELAND, SC 29936

