
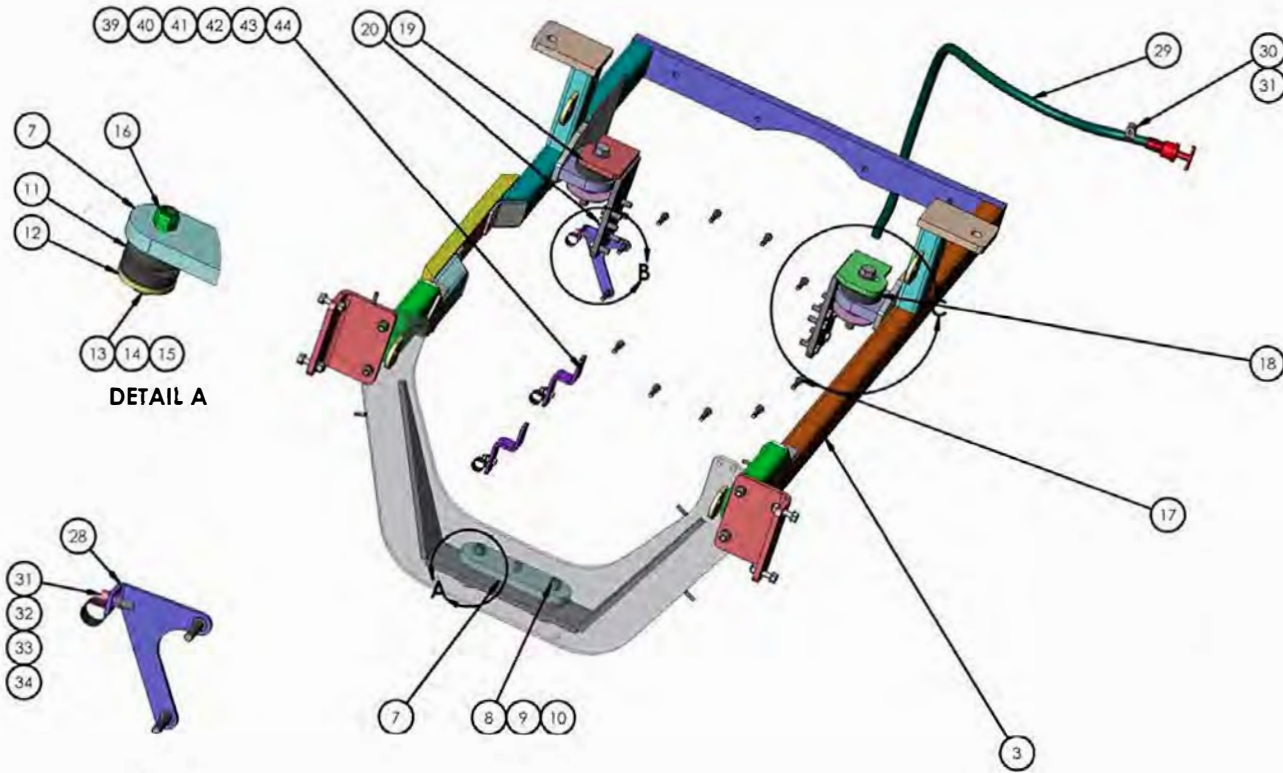


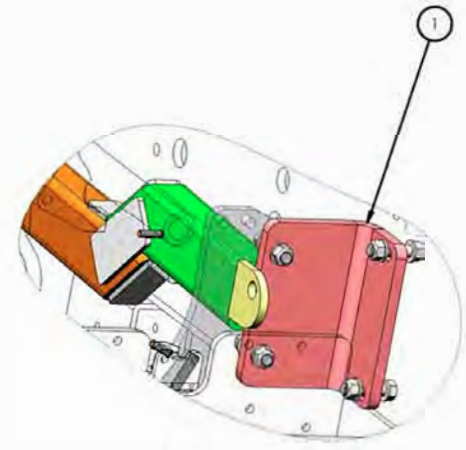
DIMENSIONS ARE IN INCHES		NAME	DATE	 TICO/TERMINAL SERVICE 66 CYPRESS RIDGE DR. RIDGELAND, SC 29936 (843) 717-2226	
TOLERANCES:		DRAWN	MAL		02/16/2017
DECIMAL:		CHECKED			
.XX ± 0.06 .XXX ± 0.03 .XXXX ± 0.005 ANGULAR ± 0.5° FRACTIONAL ± 1/32"		APPROVED			
INTERPRET GEOMETRIC TOLERANCING PER: ASME 14.5M-1994		DO NOT SCALE DRAWING			TITLE: ENGINE & TRANSMISSION
MATERIAL		THE SUBJECT MATTER SHOWN AND DESCRIBED IN THIS DRAWING AND ANY OTHER INFORMATION ADVANCED IN CONNECTION THEREWITH IS PROPRIETARY PROPERTY AND IS TO BE HELD IN STRICT CONFIDENCE BY YOU. ALL RIGHTS TO ANY INVENTIONS, DESIGNS, TRADE MARKS, TRADE NAMES AND COPYRIGHTS DISCLOSED ARE RESERVED TO TICO TERMINAL SERVICES, INC.			SIZE DWG. NO. REV
FINISH					C 721771-A1
THICKNESS					SCALE: 1:48 WEIGHT: SHEET 1 OF 1



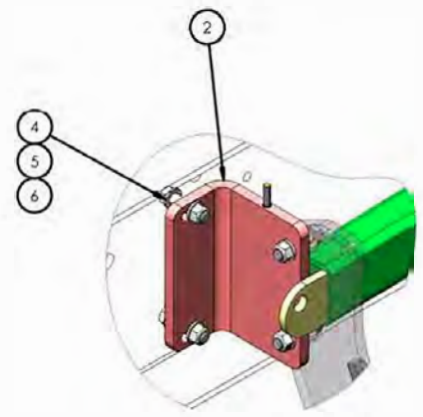
DETAIL A

DETAIL B

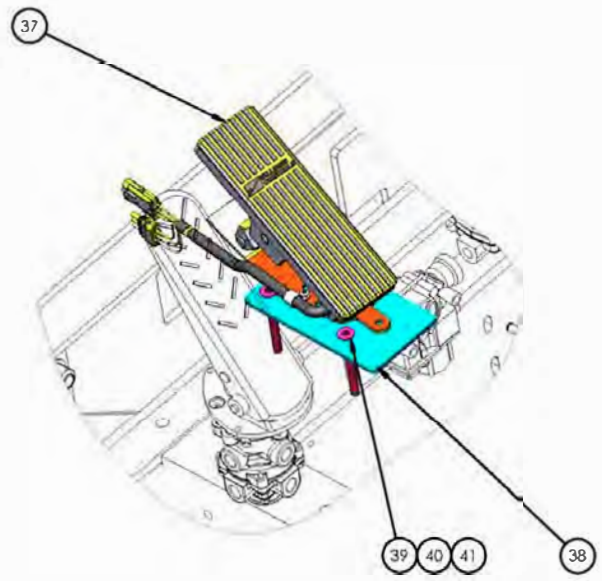
DETAIL C



LH BRACKET, FRONT



RH BRACKET, FRONT



DIMENSIONS ARE IN FIGURES TOLERANCES) DECIMAL:		NAME	DATE	 TICO/TERMINAL SERVICE 66 CYPRESS RIDGE DR. RIDGE AND, SC 29936 (843) 717-2226
.XX ± 0.05 .XXX ± 0.03 .XXXX ± 0.025 ANGULAR: ± 0.5° FRACTIONAL: 1/32"		DRAWN	JAM1	
INTERPRET GEOMETRIC TOLERANCING PER ASME Y14.5M-1994		CHECKED		
MATERIAL		APPROVED		
FINISH		DO NOT SCALE DRAWING		
THICKNESS		THE SUBJECT MATTER SHOWN AND DESCRIBED IN THIS DRAWING AND ANY OTHER INFORMATION ADVISED BY CONNECTION HERWITH IS TO BE HELD IN STRICT CONFIDENCE BY YOU. ALL RIGHTS TO ANY INVENTIONS, DESIGNS, TRADE MARKS, TRADE NAME, AND COPYRIGHTS DISCLOSED ARE RESERVED TO TICO TERMINAL SERVICES, INC.		
TITLE:		ENGINE & TRANSMISSION		
SIZE		DWG. NO		REV
C		721771-A1		
SCALE: 1:48		WEIGHT:		SHEET 1 OF 1

TICO PRO-SPOTTER			
ENGINE & TRANSMISSION, 2016-ISB 200HP/RDS3000 GEN V			721771
721771-A1			
ITEM	PART #	QTY/M	DESCRIPTION
NS	620542	1	ENGINE-CUMMINS 2016-ISB, 200 HP@ 2600RPM, BLK HTR, DELCO STARTER/ALT,W-AC
NS	60799-13	1	TRANSMISSION-RDS 3000 (ALLISON E021013)TC-411
NS	620595	1	TCM-1st-3rd, 1950/2800 RPM, GEN V
NS	62192	1	SHIFTER-TRANSMISSION PUSH BUTTON GEN V
1	61572-5	1	MOUNT-FRONT ENGINE-FRAME
2	61572-9	1	BRACKET, FRONT ENGINE MOUNT
3	62115	1	ENGINE CRADLE, ISB
4	82418	8	BOLT, HEX 1/2-13 X 2 LG - FRONT MOUNTS
5	85038	8	NUTLOCK, 1/2-13
6	85093	16	WASHER, FLAT 1/2-13
7	60809	1	MOUNTING PLATE FRONT ENGINE MOUNT
8	80342	1	BOLT-DRILLED HEAD-M16 x 2 x 45mm, 10.9 SHCS
9	85094	1	WASHER, FLAT 5/8-11
10	85138	1	LOCKWASHER, 5/8-11
11	60814	4	ISOLATOR, FRONT ENGINE MOUNT DUAL SYSTEM
12	60113	2	WASHER, BOOM
13	10971	2	SPACER FRONT MOTOR MOUNT
14	82474	2	BOLT, HEX 5/8-11 x 3 1/4" LG
15	85094	2	WASHER, FLAT 5/8-11
16	85039	2	LOCKNUT, 5/8-11
NS	60799-6	6	BOLT-FLEX PLATE/TORQUE CONV
17	60799-12	1	TRANS MOUNTING KIT
18	60981	1	MOUNT-REAR ENGINE LH
19	60982	1	MOUNT-REAR ENGINE RH
20	80240	12	BOLT-M12 x 1.5 x 35mm, HEX HD , 10.9
			APPLY LOCKTITE & TORQUE BOLTS TO 40 FT-LB
21	61678	2	ISOLATOR-REAR ENGINE
22	61677-8	2	SPACER-BOLT
23	60740	2	WASHER-3/4, REAR ENGINE MOUNT
24	85095	2	WASHER, FLAT 3/4
25	60740-1	2	WASHER-3/4, REAR ENGINE MOUNT
26	82574	2	BOLT-3/4-10UNC x 5 1/2 LG HEX HD
27	85029	1	NUT-3/4-10UNC NYLK
28	90910	1	BRACKET-BATTERY CABLE SUPPORT
29	61574	1	DIPSTICK-TRANSMISSION RDS
30	12091	1	SPACER
REV	DATE	BY	SHEET
A	5/7/1019	MAL	1 OF 1

