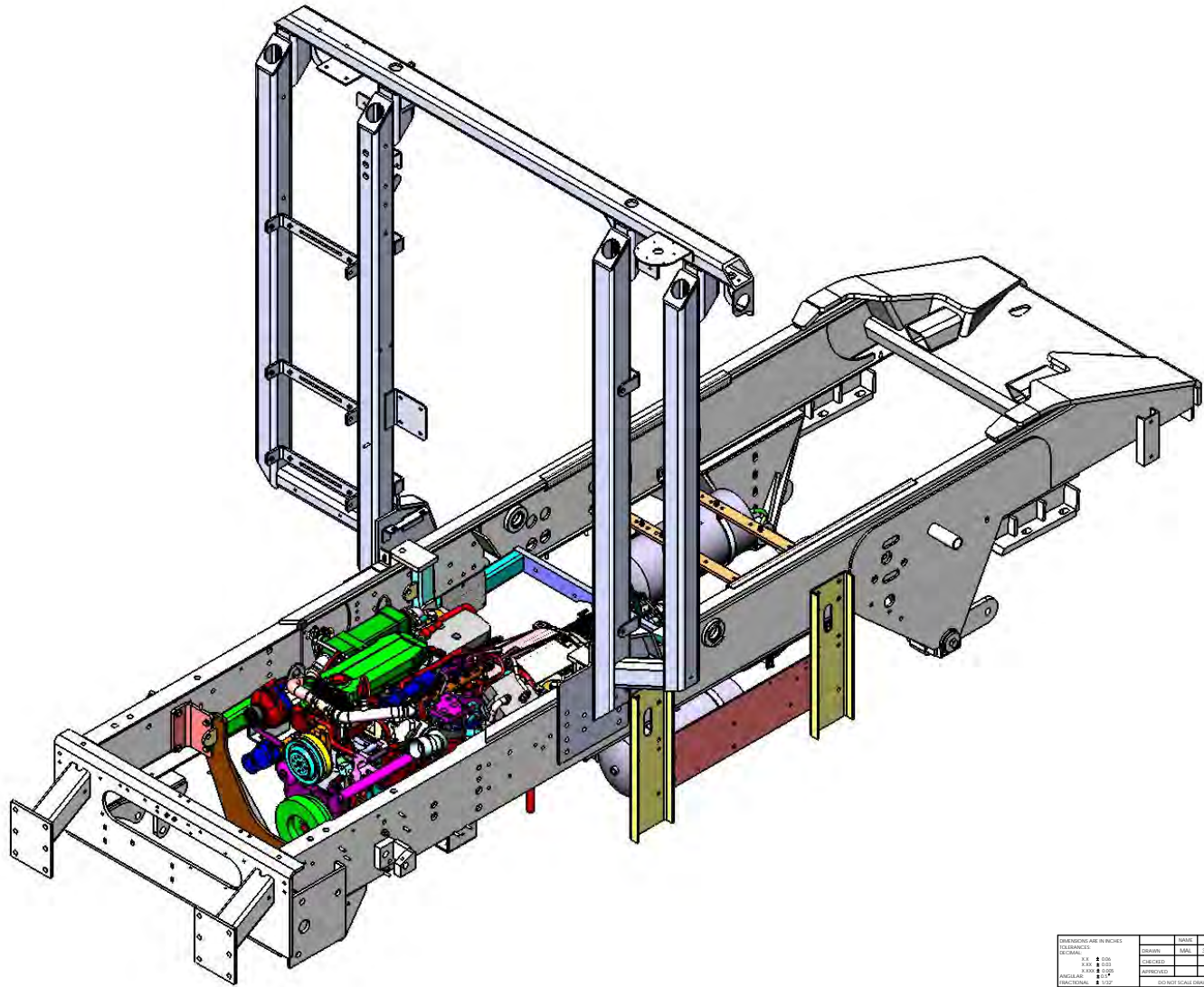



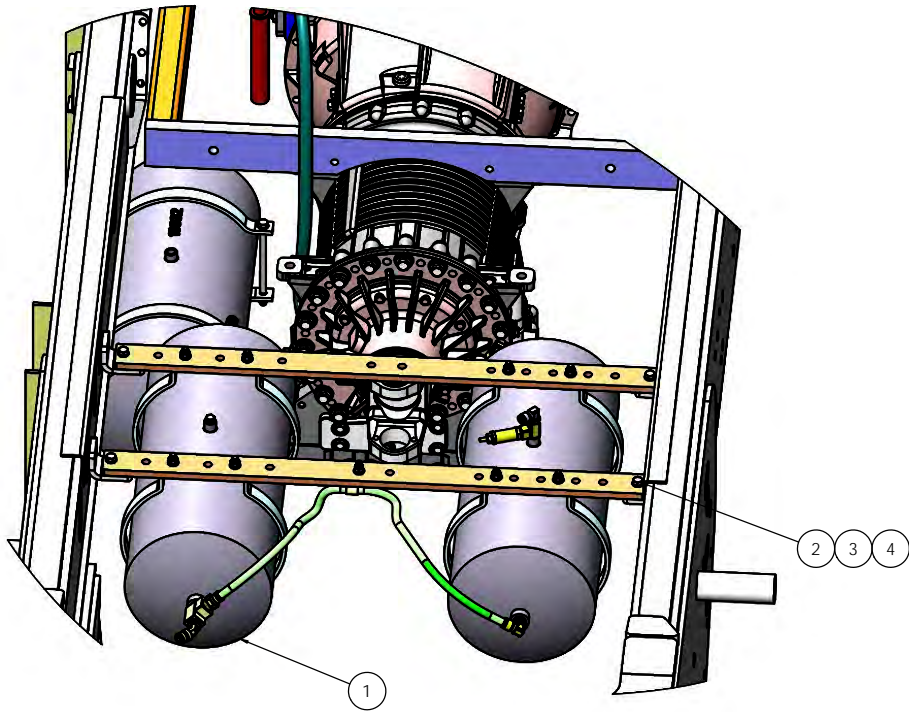
TRACTOR PROTECTION VALVE TP-3



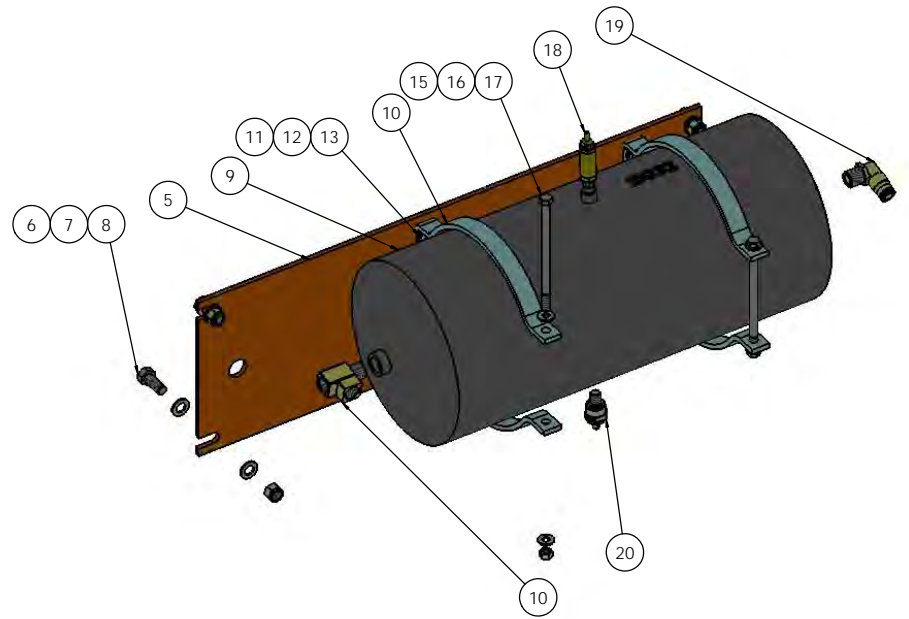
AIR SYSTEM-2016, OFF ROAD  
 PAGE 1 GENERAL OVERVIEW  
 PAGE 2-3 DETAIL PAGES  
 PAGE 4-8 PARTS LIST

REV	DATE	BY	CHKD	APP'D
1	3/8/2016			
2	3/8/2016			
3	3/8/2016			
4	3/8/2016			
5	3/8/2016			
6	3/8/2016			
7	3/8/2016			
8	3/8/2016			
9	3/8/2016			
10	3/8/2016			
11	3/8/2016			
12	3/8/2016			
13	3/8/2016			
14	3/8/2016			
15	3/8/2016			
16	3/8/2016			
17	3/8/2016			
18	3/8/2016			
19	3/8/2016			
20	3/8/2016			
21	3/8/2016			
22	3/8/2016			
23	3/8/2016			
24	3/8/2016			
25	3/8/2016			
26	3/8/2016			
27	3/8/2016			
28	3/8/2016			
29	3/8/2016			
30	3/8/2016			
31	3/8/2016			
32	3/8/2016			
33	3/8/2016			
34	3/8/2016			
35	3/8/2016			
36	3/8/2016			
37	3/8/2016			
38	3/8/2016			
39	3/8/2016			
40	3/8/2016			
41	3/8/2016			
42	3/8/2016			
43	3/8/2016			
44	3/8/2016			
45	3/8/2016			
46	3/8/2016			
47	3/8/2016			
48	3/8/2016			
49	3/8/2016			
50	3/8/2016			
51	3/8/2016			
52	3/8/2016			
53	3/8/2016			
54	3/8/2016			
55	3/8/2016			
56	3/8/2016			
57	3/8/2016			
58	3/8/2016			
59	3/8/2016			
60	3/8/2016			
61	3/8/2016			
62	3/8/2016			
63	3/8/2016			
64	3/8/2016			
65	3/8/2016			
66	3/8/2016			
67	3/8/2016			
68	3/8/2016			
69	3/8/2016			
70	3/8/2016			
71	3/8/2016			
72	3/8/2016			
73	3/8/2016			
74	3/8/2016			
75	3/8/2016			
76	3/8/2016			
77	3/8/2016			
78	3/8/2016			
79	3/8/2016			
80	3/8/2016			
81	3/8/2016			
82	3/8/2016			
83	3/8/2016			
84	3/8/2016			
85	3/8/2016			
86	3/8/2016			
87	3/8/2016			
88	3/8/2016			
89	3/8/2016			
90	3/8/2016			
91	3/8/2016			
92	3/8/2016			
93	3/8/2016			
94	3/8/2016			
95	3/8/2016			
96	3/8/2016			
97	3/8/2016			
98	3/8/2016			
99	3/8/2016			
100	3/8/2016			


 TITLE: AIR SYSTEM-2016, OFF RD.  
 DUAL SYS, 3 TANKS  
 SIZE: DWG. NO. 721765-A1 REV  
 D SCALE: 1:24 WEIGHT: 959.41 SHEET 1 OF 3



TWO AIR TANKS  
ASSEMBLY



3RD AIR RESERVOIR

DIMENSIONS ARE IN INCHES TOLERANCES: DECIMALS: .0005 FRACTIONS: 1/32 ANGULAR: .01° HOLE POSITION: .015"	NAME: MAL DATE: 3/8/2018 CHECKED: APPROVED:	TICO MANUFACTURING 843 CYPRUS ROAD DR. ROCKLELAND, NC 27088 (843) 717-2226
UNITS: IN: N/A MM: N/A SEE NOTE WEIGHT: N/A	DOTTED SCALE DRAWING THE SUBJECT MATTER SHOWN AND DESCRIBED IN THE DRAWING AND ANY OTHER INFORMATION CONTAINED HEREIN IS THE PROPERTY OF TICO AND IS TO BE USED ONLY FOR THE PURPOSES SPECIFICALLY STATED HEREIN. ALL RIGHTS TO ANY PATENTS, TRADEMARKS, OR OTHER INTELLECTUAL PROPERTY ARE RESERVED TO TICO. TICO SHALL NOT BE RESPONSIBLE FOR ANY DAMAGE TO OR LOSS OF ANY PROPERTY OR INFORMATION OF ANY KIND.	TITLE: <b>AIR SYSTEM-2016, OFF ROAD,          DUAL SYS. 3 TANKS</b>
SIZE: D DWG. NO.: 721765-A1 REV: 002 OF 3	SCALE: 1:24 [WEIGHT: 6356.35]	TICO MANUFACTURING 843 CYPRUS ROAD DR. ROCKLELAND, NC 27088 (843) 717-2226

D 721765-A1







TICO PRO-SPOTTER				
AIR SYSTEM, OFF RD, DUAL SYSTEM, 3 TANK, R 14, QR-1 2 VALVES				721765
ITEM	PART #	QTY/M	DESCRIPTION	
46	10949	1	MANIFOLD-ASS'Y AIR	
47	82459	2	CAPSCEW-5/16-18 X 3 LG HEX HD	
48	80232	2	WASHER-5/16	
49	80209	2	LOCKNUT-5/16	
50	40833	2	FITTING, ADAPTER STR, BRASS, 1/4" TUBE X 3/8" NPT	
51	40887	4	FITTING, ELBOW 90°, BRASS, 1/4" TUBE X 3/8" NPT, SWIVEL	
52	42064	1	FITTING, ELBOW 90°, BRASS, 1/2" TUBE X 1/2" NPT, SWIVEL	
53	40841	2	PLUG, HEX SOCKET HD 3/8" NPT	
54	80163	1	PLUG, HEX SOCKET HD 1/2" NPT	
55	90069	1	VALVE-TRACTOR PROTECTION	
56	82459	2	BOLT, 5/16-18 X 3 LG	
57	85090	4	WASHER, FLAT 5/16	
58	85024	2	LOCKNUT, 5/16-18 NYLOK	
59	90078	1	SWITCH-PRESSURE, STOP LIGHT, BENDIX SL-5	
60	42234	1	FITTING, STREET TEE, BRASS, 3/8 X 3/8 X 1/4	
61	40823	1	FITTING, ELBOW 90°, BRASS, 3/8 TUBE X 3/8NPT	
62	42063	1	FITTING, ELBOW 90°, BRASS, 3/8 TUBE X 1/4NPT	
63	40799	2	FITTING, CLOSE NIPPLE BRASS, 1/2 NPT	
64	40899	2	FITTING, STREET ELBOW 45° BRASS, 1/2 NPT	
65	50038-1	1	GLADHAND - BLUE	
66	50039-1	1	GLADHAND - RED	
NOT SHOWN	50038-1	2	GLADHAND - BLUE	
NOT SHOWN	50039-1	2	GLADHAND - RED	
NOT SHOWN	50303	2	HOSE ASSY - TRAILER AIR, 3/8 X 15 FT	
NOT SHOWN	10356	1	SPRING	
NOT SHOWN	920285	1	CLAMP, TRAILER HOSE 3 CAVITY	
NOT SHOWN	40799	2	FITTING, CLOSE NIPPLE, BRASS, 1/2 NPT	
NOT SHOWN	40899	2	FITTING, STREET ELBOW 45°, BRASS, 1/2 NPT	
NOT SHOWN	90295	1	VALVE, AIR REGULATOR	
NOT SHOWN	82370	2	BOLT, HEX 1/4-20 X 1 Lg	
NOT SHOWN	85111	4	WASHER, FLAT 3/8	
NOT SHOWN	85034	2	LOCKNUT, 3/8-16	
NOT SHOWN	40875	2	VALVE, DOUBLE CHECK	
NOT SHOWN	85090	2	WASHER, 5/16"	
NOT SHOWN	85035	2	NUT, 5/16"	
NOT SHOWN	40846	4	FITTING, ADAPTER STR, BRASS, 3/8 TUBE X 3/8 NPT	
NOT SHOWN	40823	2	FITTING, ELBOW 90°, BRASS, 3/8 TUBE X 3/8 NPT	
REV	DATE	BY		SHEET
A	3/9/2018	MAL		3 of 5



