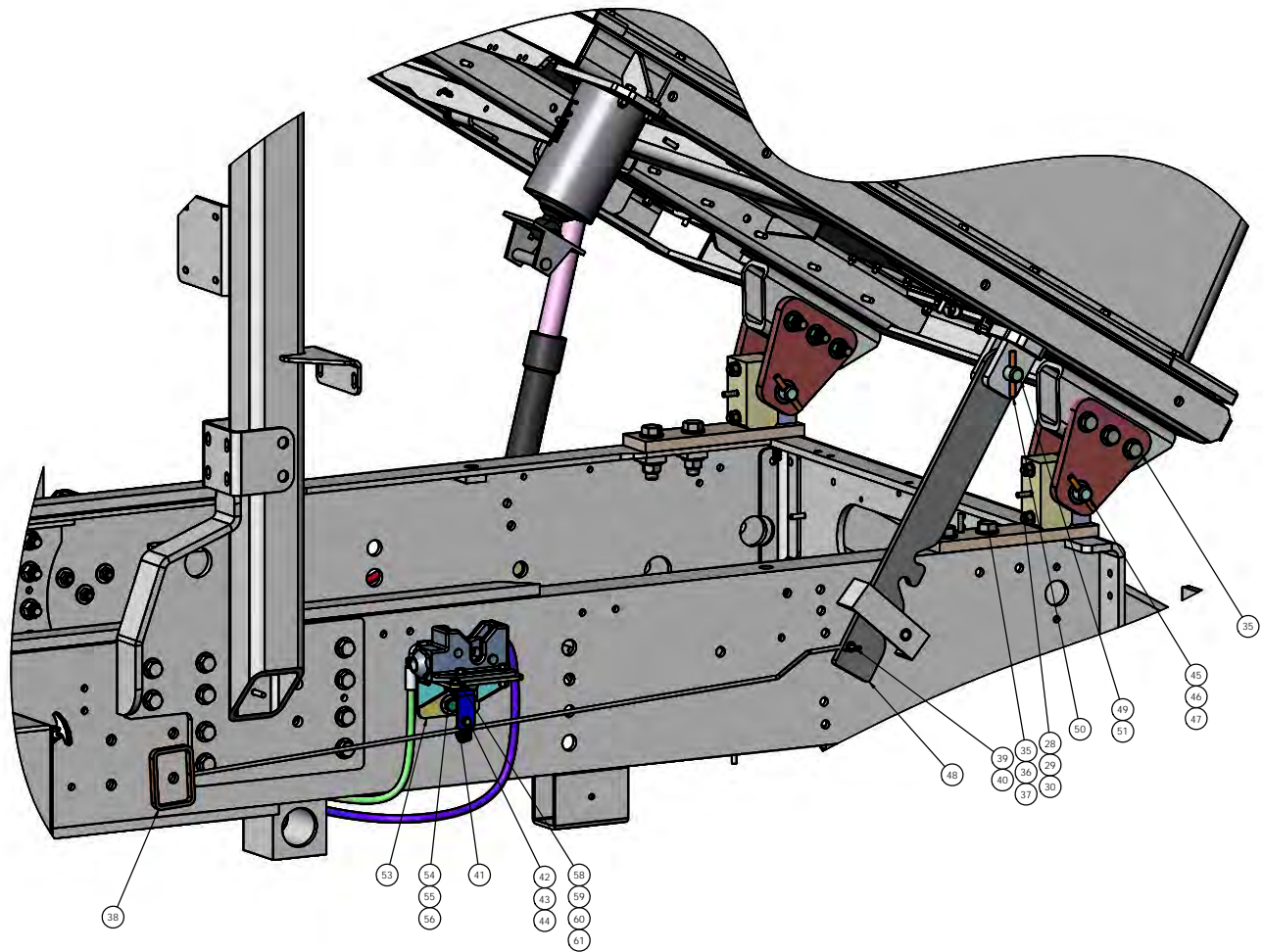


**CAB SUSPENSION**  
**PAGE 1 GENERAL OVERVIEW**  
**PAGE 2-3 DETAIL PAGES**  
**PAGE 4-6 PARTSLIST**

DIMENSIONS ARE IN INCHES		NAME	DATE
TOLERANCES:	DECIMAL	DRAWN	MAL
		1/15/2018	
		CHECKED	
		APPROVED	
		DOTTED SCALE DRAWING	
		THE SUBJECT MATTER SHOWN AND DESCRIBED IN THE DRAWING AND ANY OTHER INFORMATION CONTAINED HEREIN IS THE PROPERTY OF WIPAC. ALL RIGHTS TO ANY PATENTS, TRADEMARKS, OR OTHER INTELLECTUAL PROPERTY ARE RESERVED TO WIPAC. THIS DRAWING IS NOT TO BE REPRODUCED OR TRANSMITTED IN ANY FORM OR BY ANY MEANS, ELECTRONIC OR MECHANICAL, INCLUDING PHOTOCOPYING, RECORDING, OR BY ANY INFORMATION STORAGE AND RETRIEVAL SYSTEM, WITHOUT THE WRITTEN PERMISSION OF WIPAC.	
SCALE:	N/A	TITLE: CAB SUSPENSION	
REV:	N/A	SIZE	DWG. NO.
REV. NO.	N/A	D	721741-E1
REV. DATE	N/A	SCALE	1:32 [WEIGHT: 4684.66] SHEET 1 OF 3

721741-E1





REFERENCES ARE IN INCHES	SCALE	DATE	 TICO/TERMINAL SERVICE 66 CYPRUS BOULEVARD ROCKLAND, NC 27854 (843) 717-2226
DIMENSIONS FINISH TOLERANCES SURF. FINISH MATERIAL PARTIALS FUNCTIONAL	1/4" & 3/8" 1/8" & 3/16" 1/32" & 1/16" 1/16" & 1/8" 1/16" & 1/8" 1/16" & 1/8"	1/1/2018 1/1/2018 1/1/2018 1/1/2018 1/1/2018 1/1/2018	
DIMENSIONS FINISH TOLERANCES SURF. FINISH MATERIAL PARTIALS FUNCTIONAL	1/4" & 3/8" 1/8" & 3/16" 1/32" & 1/16" 1/16" & 1/8" 1/16" & 1/8"	1/1/2018 1/1/2018 1/1/2018 1/1/2018 1/1/2018 1/1/2018	TITLE: <b>CAB SUSPENSION</b>
DIMENSIONS FINISH TOLERANCES SURF. FINISH MATERIAL PARTIALS FUNCTIONAL	1/4" & 3/8" 1/8" & 3/16" 1/32" & 1/16" 1/16" & 1/8" 1/16" & 1/8"	1/1/2018 1/1/2018 1/1/2018 1/1/2018 1/1/2018 1/1/2018	SIZE [DWG. NO.] <b>D</b> [721741-E1]
DIMENSIONS FINISH TOLERANCES SURF. FINISH MATERIAL PARTIALS FUNCTIONAL	1/4" & 3/8" 1/8" & 3/16" 1/32" & 1/16" 1/16" & 1/8" 1/16" & 1/8"	1/1/2018 1/1/2018 1/1/2018 1/1/2018 1/1/2018 1/1/2018	REV SCALE: 1:32 [WEIGHT: 4684] [SHEET 3 OF 3]

D 721741-E1



TICO PRO-SPOTTER				
CAB SUSPENSION, 2017-11 CAB, B6.7				721741
ITEM	PART #	QTY/M	DESCRIPTION	
26	121021	1	BLOCK ASS'Y, LH CAB PIVOT, GALV	
27	121020	1	BLOCK ASS'Y, RH CAB PIVOT, GALV	
28	82528	2	BOLT, HEX, 1/2-13 X 4-1/4 Lg	
29	85093	4	WASHER, FLAT, 1/2	
30	85038	2	LOCKNUT, NYLOCK, 1/2-13	
31	82464	4	BOLT 3/4-10 X 3 Lg	
32	85040	4	LOCK NUT 3/4-10	
33	85117	8	WASHER, FLAT 3/4	
34	122253	4	PIVOT PLATE ASS'Y (2017-II), GALV	
35	82595	6	BOLT, HEX, 5/8-11 X 6 Lg	
36	85028	6	LOCKNUT, NYLOCK, 5/8-11	
37	85094	12	WASHER, FLAT, 5/8	
38	122571-1	1	CAB LATCH HANDLE, 2017 B6.7, STRAIGHT, BLACK, ORANGE CONTRAST	
39	85093	2	WASHER, FLAT, 1/2	
40	80148	1	COTTER PIN, 1/8	
41	41273	1	CLAMP, P 1/2" ID	
42	82359	1	BOLT, HEX, 1/4-20 X 3/4 Lg	
43	85023	1	LOCKNUT, NYLOCK, 1/4-20	
44	85089	2	WASHER, FLAT, 1/4	
45	90688	2	BUSHING, MOD RUBBER CAB PIVOT 2.06 OD	
46	121010	2	PIN, CAB PIVOT	
47	40018	4	PIN, 3/8 ROLL x 2"	
48	12361	1	LATCH, CAB SAFETY BAR	
49	10945-3	1	PIN, 1" CAB SAFETY LATCH BAR	
50	40018	2	PIN, 3/8 ROLL x 2"	
51	85098	2	WASHER, FLAT 1"	
NOT SHOWN	12168	1	DECAL-CAB PUMP INSTRUCTIONS	
52	20157	1	BRACKET, CAB CUSHION WELDMENT, LH	
53	20158	1	BRACKET, CAB CUSHION WELDMENT, RH	
54	82396	6	BOLT, HEX, 1/2-13 X 1-1/2 LG	
55	85038	6	LOCKNUT, NYLOCK, 1/2-13	
56	85115	12	WASHER, FLAT, 1/2	
REV	DATE	BY		SHEET
E	1/8/2018	MAL		2 OF 3

