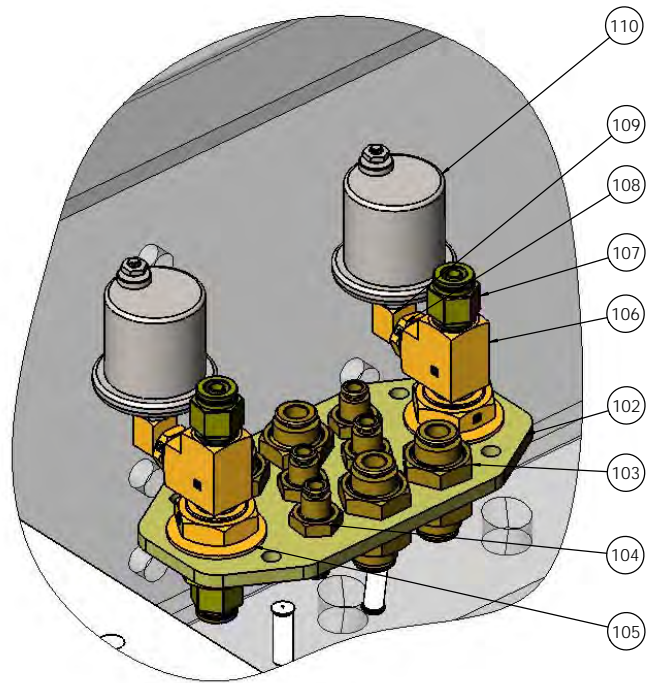


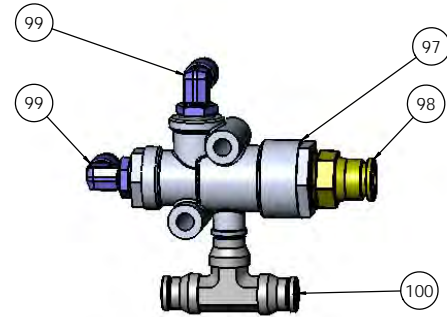
AIR SYSTEM, 2017-III, OFF RD, DUAL SYS.
 PAGE 1 GENERAL OVERVIEW
 PAGE 2-4 DETAIL VIEWS
 PAGE 5-8 PARTSLIST
 PAGE 9 AIR SCHEMATIC

DIMENSIONS ARE IN INCHES TOLERANCES: DECIMAL: .XX & .0XX .XXX & .0XX ANGULAR: FRACTIONAL: ± 1/32"	NAME: MAL DATE: 3/7/2018 CHECKED: APPROVED:	TICO MANUFACTURING 88 CYPRUS ROAD DR. ROCKLAND, NC 27854 (843) 717-2226
UNITS: 1: N/A 2: SEE NOTE 3: N/A	THE SUBJECT MATTER SHOWN AND DESCRIBED IN THE DRAWING AND ANY OTHER INFORMATION CONTAINED HEREIN IS THE PROPERTY OF TICO. ALL RIGHTS TO ANY PATENTED OR UNPATENTED INFORMATION, TRADE SECRETS, AND/OR PROPRIETARY INFORMATION ARE RESERVED TO TICO. TRADEMARKS AND SERVICE MARKS ARE SHOWN FOR IDENTIFICATION PURPOSES ONLY.	TITLE: AIR SYSTEM 2017-III, OFF RD, DUAL SYS. SIZE: D DWG. NO.: 721734-D1 SCALE: 1:1 [WEIGHT: 9096.20] SHEET 1 OF 4

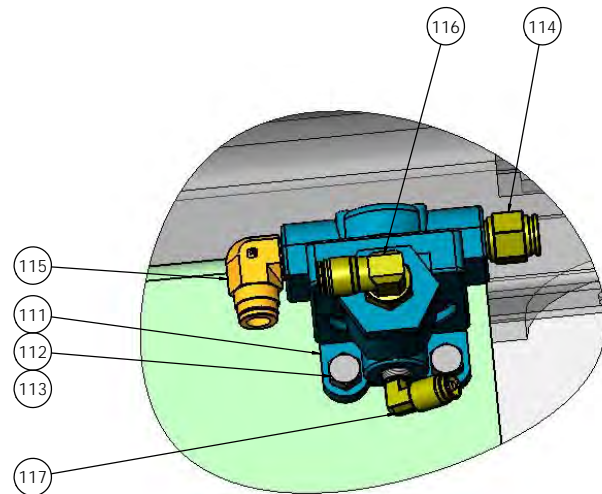
D 721734-D1



BULKHEAD PLATE ASSEMBLY



INVERSION VALVE
TR-3



VALVE QUICK RELEASE QR-1C

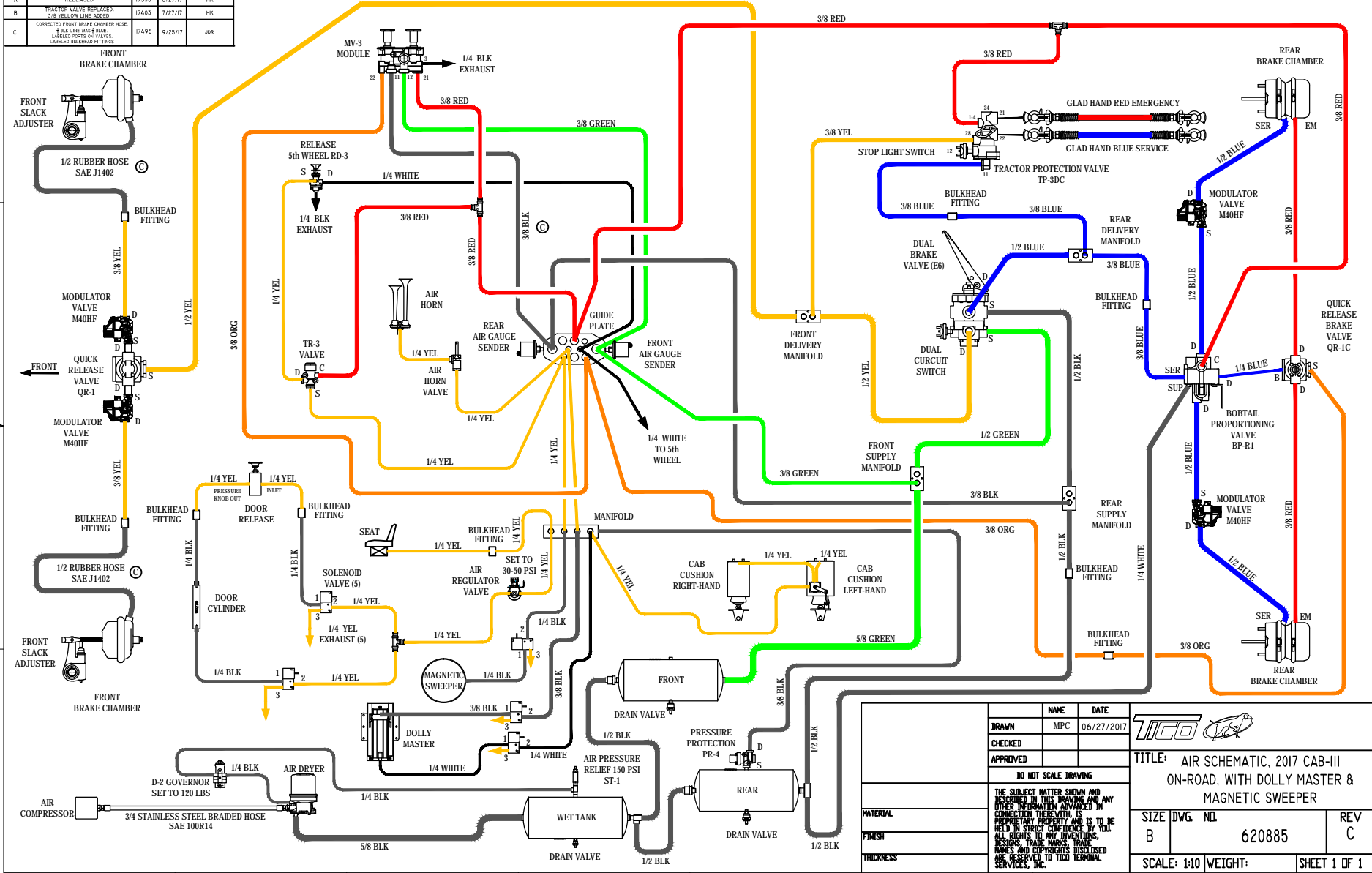
REFERENCES ARE IN INCHES	UNITS	DATE	TICO/TERMINAL SERVICE
TOLERANCES UNLESS OTHERWISE SPECIFIED:	FRAMES	18/02/2017	ALL CYPRUS ROCKET CORP. ROCKLAND, NC 27854 (843) 717-2226
FRACTIONS	CHECKED		
DECIMALS	APPROVED		
ANGULAR			
FRACTIONS			
SEE NOTE			

SIZE	DWG. NO.	REV
D	721734-D1	
SCALE: 1:32	WEIGHT: 5784.37	SHEET 04 OF 4

TICO PRO-SPOTTER				
AIR SYSTEM, 2017-III, OFF RD, DUAL SYS, 3 TANKS				721734
ITEM	PART #	QTY/M	DESCRIPTION	
	721734-D1	REF	AIR SYSTEM, 2017-III, OFF RD, DUAL SYS, 3 TANKS	
1	42087	1	ASSEMBLY, AIR TANK, TWO TANKS	
2	82394	4	BOLT, HEX 3/8" - 16 x 1 1/2" Lg	
3	85102	8	WASHER, FLAT 3/8"	
4	85025	4	LOCKNUT, 3/8" - 16 NYLOK	
5	40029-1	2	CHECK VALVE, AIR TANK	
	71523	REF	3rd AIR RESERVOIR	
6	12336	1	PLATE, RESERVOIR MOUNTING	
7	82385	4	BOLT, HEX 1/2-13 x 1 1/4 Lg	
8	85115	8	WASHER, FLAT 1/2	
9	85027	4	LOCKNUT, 1/2-13	
10	10032	1	RESERVOIR, AIR	
11	40393-1	4	BRACKET, AIR RESERVOIR MOUNT	
NOT SHOWN	42064	2	ELBOW, BRASS 90° 1/2 TUBE to 1/2 NPT	
NOT SHOWN	40029-1	1	CHECK VALVE, AIR TANK	
12	60023	1	GOVERNOR, D2	
13	80308	2	CAPSCREW, M8 x 1.25 x 70 LG	
14	85134	2	LOCKWASHER, 5/16"	
15	40854	1	ADAPTER, 1/8 NPT, 1/4 COMPRESSION, STR	
NOT SHOWN	40860	1	ADAPTER, 1/8 NPT, 1/4 COMPRESSION, 90	
16	40547	1	VALVE, DUAL BRAKE, E-6	
17	90026	1	TREADLE, BRAKE	
NOT SHOWN	82360	3	BOLT, 5/16" x 3/4" Lg	
NOT SHOWN	82371	3	BOLT, 5/16" x 1" Lg	
18	40819	2	FITTING, ELBOW, 90°, BRASS, 1/2 TUBE X 3/8 NPT	
19	42187	2	FITTING, STR, BRASS, 1/2 TUBE X 3/8 NPT	
20	11041	4	FITTING, PLUG, 3/8 NPT	
21	42260	1	FITTING, REDUCER BUSHING, BRASS, 3/8 NPT X 1/8NPT	
22	91236	1	SWITCH, DUAL CIRCUIT NO-NC 4 PSI SET PRESS	
23	122130	1	MANIFOLD-SUPPLY REAR, 2 x 1/2" NPT, 2 x 3/8" NPT	
24	80323	2	SCREW, PAN HD, #10-32 x 2 Lg, SS	
25	80232	4	WASHER, FLAT, SAE, #10, SS	
26	800424	2	NUT, #10-32, NYLOK, SS	
27	40822	1	FITTING, ELBOW, 45°, BRASS, 1/2 TUBE X 1/2 NPT	
28	40822	1	FITTING, ELBOW, 45°, BRASS, 1/2 TUBE X 1/2 NPT	
29	40823	1	FITTING, ELBOW, 90°, BRASS, 3/8 TUBE X 3/8 NPT	
30	11041	1	FITTING, PLUG, 3/8 NPT	
REV	DATE	BY		SHEET
D	2/5/2018	MAL		1 OF 4
TICO MANUFACTURING - RIDGELAND, SC 29936				

TICO PRO-SPOTTER				
AIR SYSTEM, 2017-III, OFF RD, DUAL SYS, 3 TANKS				721734
ITEM	PART #	QTY/M	DESCRIPTION	
31	122130	1	MANIFOLD-SUPPLY FRONT, 2 x 1/2" NPT, 2 x 3/8" NPT	
32	80323	2	SCREW, PAN HD, #10-32 x 2 Lg, SS	
33	80232	4	WASHER, FLAT, SAE, #10, SS	
34	800424	2	NUT, #10-32, NYLOK, SS	
35	40830	1	FITTING, ELBOW, 45°, BRASS, 5/8 TUBE X 1/2 NPT	
36	42265	1	FITTING, ELBOW, 90°, BRASS, 1/2 TUBE X 1/2 NPT	
37	40823	1	FITTING, ELBOW, 90°, BRASS, 3/8 TUBE X 3/8 NPT	
38	11041	1	FITTING, PLUG, 3/8 NPT	
39	122130	1	MANIFOLD-DELIVERY REAR, 2 x 1/2" NPT, 2 x 3/8" NPT	
40	80323	2	SCREW, PAN HD, #10-32 x 2 Lg, SS	
41	80232	4	WASHER, FLAT, SAE, #10, SS	
42	800424	2	NUT, #10-32, NYLOK, SS	
43	42119	1	FITTING, ELBOW, 45°, BRASS, 3/8 TUBE X 1/2 NPT	
44	42265	1	FITTING, ELBOW, 90°, BRASS, 1/2 TUBE X 1/2 NPT	
45	40823	1	FITTING, ELBOW, 90°, BRASS, 3/8 TUBE X 3/8 NPT	
46	11041	1	FITTING, PLUG, 3/8 NPT	
47	122130	1	MANIFOLD-DELIVERY FRONT, 2 x 1/2" NPT, 2 x 3/8" NPT	
48	80323	2	SCREW, PAN HD, #10-32 x 2 Lg, SS	
49	80232	4	WASHER, FLAT, SAE, #10, SS	
50	800424	2	NUT, #10-32, NYLOK, SS	
51	40822	1	FITTING, ELBOW, 45°, BRASS, 1/2 TUBE X 1/2 NPT	
52	42265	1	FITTING, ELBOW, 90°, BRASS, 1/2 TUBE X 1/2 NPT	
53	40823	1	FITTING, ELBOW, 90°, BRASS, 3/8 TUBE X 3/8 NPT	
54	11041	1	FITTING, PLUG, 3/8 NPT	
55	40550	1	VALVE, QR-1 QUICK RELEASE BRAKE	
56	40864	2	FITTING, ADAPTER STR, BRASS, 3/8 TUBE X 3/8NPT	
57	42064	1	FITTING, ELBOW 90°, BRASS, 1/2 TUBE X 1/2 NPT, SWIVEL	
58	81546	2	CAPSCREW, 5/16"-18 UNC x 1-1/4" Lg	
59	85101	2	WASHER, 5/16"	
60	85035	2	LOCKNUT, 5/16"-18	
61	40572	1	VALVE-BOBTAIL/PROPORTIONING BP-R1 W/BACKET	
62	81535	2	BOLT-5/16 X 1	
63	85090	4	WASHER-5/16	
64	85035	2	NUT-5/16	
65	40822	1	FITTING, ELBOW 45°, BRASS, 1/2 TUBE X 1/2 NPT	
66	42262	2	FITTING, ELBOW 90°, BRASS 1/2 TUBE to 1/2 NPT	
67	42063	1	FITTING, ELBOW 90°, BRASS, 3/8 TUBE to 1/4 NPT	
68	42112	1	FITTING, ELBOW 90°, BRASS, 3/8 TUBE to 1/8 NPT	
69	80163	1	FITTING, PLUG ALLEN, BRASS 1/2" NPT	
REV	DATE	BY		SHEET
D	2/5/2018	MAL		2 OF 4
TICO MANUFACTURING - RIDGELAND, SC 29936				

REV.	DESCRIPTION	ECN	DATE	APPROVED
A	RELEASED	17355	6/27/17	HK
B	TRACTOR VALVE REPLACED 3/8 YELLOW LINE ADDED	17403	7/27/17	HK
C	CORRECTED FRONT BRAKE CHAMBER HOSE # BLK LINE W/ID # BLK LINE LABELED HOSE ON VALVE LAIR-FID BULKHEAD FITTINGS	17496	9/28/17	JOR



NAME	DATE
DRAWN MPC	06/27/2017
CHECKED	
APPROVED	

DO NOT SCALE DRAWING

THE SUBJECT MATTER SHOWN AND DESCRIBED IN THIS DRAWING AND ANY OTHER INFORMATION ADVANCED IN CONNECTION THEREWITH, IS PROPRIETARY PROPERTY AND IS TO BE HELD IN STRICT CONFIDENCE BY YOU. ALL RIGHTS TO ANY INVENTIONS, DESIGN, TRADE NAMES, TRADE NAMES AND COPYRIGHTS DISCLOSED ARE RESERVED TO TICO TERMINAL SERVICES, INC.

TICO

TITLE: AIR SCHEMATIC, 2017 CAB-III ON-ROAD, WITH DOLLY MASTER & MAGNETIC SWEEPER

SIZE	DWG. NO.	REV
B	620885	C

SCALE: 1:10 WEIGHT: SHEET 1 OF 1