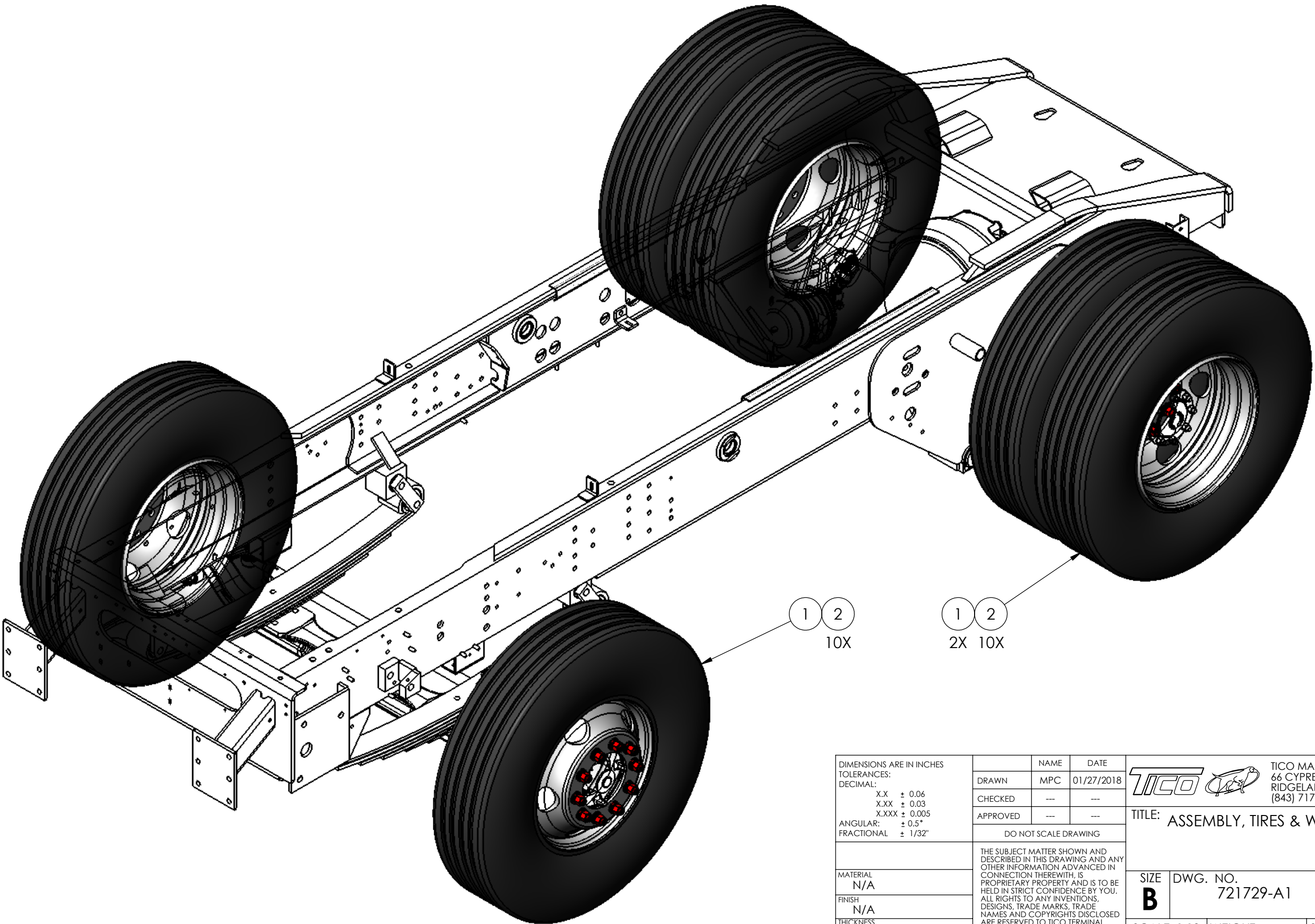



8 7 6 5 4 3 2 1

D  
C  
B  
A



1 2  
10X

1 2  
2X 10X

DIMENSIONS ARE IN INCHES TOLERANCES: DECIMAL: X.X ± 0.06 X.XX ± 0.03 X.XXX ± 0.005 ANGULAR: ± 0.5° FRACTIONAL ± 1/32"	DRAWN	NAME	DATE	 TICO MANUFACTURING 66 CYPRESS RIDGE DR. RIDGELAND, SC 29936 (843) 717-2226
	CHECKED	MPC	01/27/2018	
	APPROVED	---	---	
	DO NOT SCALE DRAWING			
MATERIAL	THE SUBJECT MATTER SHOWN AND DESCRIBED IN THIS DRAWING AND ANY OTHER INFORMATION ADVANCED IN CONNECTION THEREWITH, IS PROPRIETARY PROPERTY AND IS TO BE HELD IN STRICT CONFIDENCE BY YOU. ALL RIGHTS TO ANY INVENTIONS, DESIGNS, TRADE MARKS, TRADE NAMES AND COPYRIGHTS DISCLOSED ARE RESERVED TO TICO TERMINAL SERVICES, INC.			TITLE: ASSEMBLY, TIRES & WHEELS
FINISH	SIZE	DWG. NO.	REV	
THICKNESS	<b>B</b>	721729-A1	<b>A</b>	
N/A	SCALE: 1:13	WEIGHT:	SHEET 1 OF 1	

8 7 6 5 4 3 2 1

