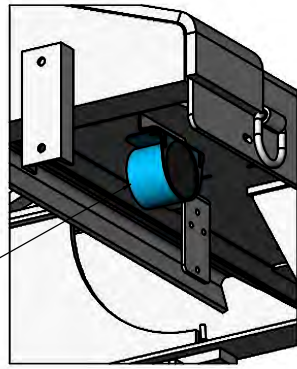
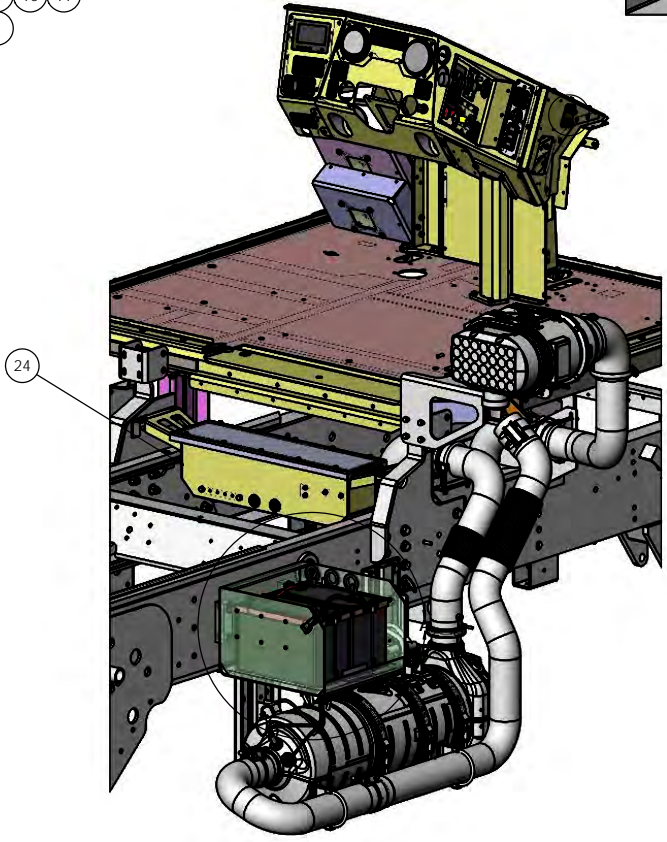


BATTERY BOX ASSEMBLY



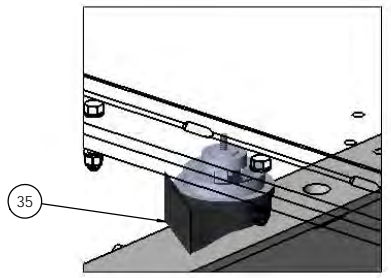
BACKUP ALARM



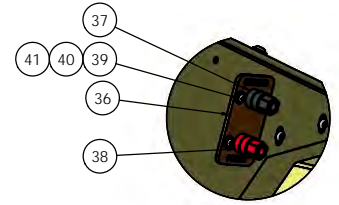
BATTERY & WIRING OVERVIEW



ELECTRICAL MODULES



ELECTRICAL HORN



ELECTRICAL SUPPLY BOARD

DIMENSIONS ARE IN INCHES		NAME	DATE	TICO MANUFACTURING 88 CYPRESS RIDGE DR. ROCKLAND, NC 29086 (843) 717-2226
TOLERANCES UNLESS SPECIFIED:	DRAWN	MAL	1/8/2018	
FRACTIONAL .125"	SCALE	1:1		TITLE: BATTERY & WIRING
DECIMAL .005"	DATE	1/8/2018		SIZE DWG. NO. 721726-11
ANGULAR .010"	APPROVED			REV
FRACTIONAL .010"	DATE			SCALE: 1:24 [WEIGHT: 5826.34] SHEET 1 OF 1
SEE NOTE	REVISION			
REVISION	REVISION			
REVISION	REVISION			

TICO PRO-SPOTTER			
BATTERY & WIRING -2017, B6.7, ON ROAD			721726
ITEM	PART #	QTY/M	DESCRIPTION
	7221726-J1	REF	BATTERY & WIRING -2017, B6.7, ON ROAD
1	200418	1	BATTERY BOX ASSEMBLY, 2-BATTERIES, HORIZONTAL ATD
2	82474	4	BOLT, HEX, 5/8 -11 X 3-1/4 LG (BATTERY BOX TO FRAME)
3	85094	8	WASHER, FLAT, 5/8
4	85028	4	LOCKNUT, NYLOCK, 5/8-11
5	12070	1	BRACKET, BATTERY STOP
6	91814	2	BATTERY-31 SERIES, 730 CCA, 12V
7	20075	2	BATTERY HOLD DOWN
8	20012	4	ASSEMBLY, J-BOLT
9	85111	8	WASHER, FLAT 1/4
10	82381	4	BOLT, HEX 1/4-20 X 1-1/4
11	85133	4	LOCKWASHER, 1/4
12	20012-4	2	WASHER-PLASTIC BATTERY HOLD DOWN
13	40210-2	2	RUBBER MAT
NOT SHOWN	90114	4	GROMMET
NOT SHOWN	910535	1	BUSSBAR-GROUNDING, 4 X 1/4" STUDS
NOT SHOWN	910585	1	CABLE, 6 GAUGE, BLK, 1/4" x 3/8" x 42" LG
NOT SHOWN	910434	1	FUSE-MAXI, 60 AMP
NOT SHOWN	910435	1	FUSE-MAXI, 80 AMP
NOT SHOWN	910436	1	RELAY-70 AMP, POWER RELAY, CAB IGNITION
NOT SHOWN	910518	2	RELAY-MICRO, 35A, 12VDC
NOT SHOWN	85133	4	LOCKWASHER, 1/4
15	91250	1	BACKUP ALARM ASSEMBLY, GROTE
NOT SHOWN	80129	2	WASHER, FENDER 1/4-20 x 1 1/4 OD
NOT SHOWN	85111	2	WASHER, FLAT 1/4
NOT SHOWN	85133	2	LOCKWASHER, 1/4
NOT SHOWN	85023	2	NUT, HEX NYLOK 1/4-20
NOT SHOWN	122564	1	BRACKET, DASH,DUAL DIAGNOSTIC PORT
NOT SHOWN	40199	1	CABLE - 3/0 RED BATTERY to STARTER 69" Lg
NOT SHOWN	91163	1	CABLE - 3/0 BLK BATTERY to STARTER 85" LG
20	90843	1	CABLE - 3/0 RED BATTERY JUMPER 8.75"LG
21	90844	1	CABLE - 3/0 BLK BATTERY JUMPER 8.75" LG
22	90957	2	BATTERY BUSS BAR
<b>REV</b>	<b>DATE</b>	<b>BY</b>	<b>SHEET</b>
J	4/9/2018	MAL	1 OF 1

TICO PRO-SPOTTER			
BATTERY & WIRING -2017, B6.7, ON ROAD			721726
ITEM	PART #	QTY/M	DESCRIPTION
NOT SHOWN	91137	1	CABLE - 2/0 RED BATTERY to PDC 52" LG
NOT SHOWN	910509	1	CABLE - 6 GAUGE, BLK BATTERY to PDC 30" LG
NOT SHOWN	910536	1	CABLE - 2/0, BLACK, 5/16" x 3/8" x 172" LG
NOT SHOWN	620804	1	HARNES-WIRE, 2017 CAB, MAIN DASH, DIESEL ENGINES
NOT SHOWN	620856	1	HARNES-WIRE DOOR CONTROL RELAYS, 2017 CAB
NOT SHOWN	61521	1	WIRE HARNES - CAB ACC. (1 FANS/DOME LGT)
NOT SHOWN	620631-2	1	HARNES-WIRE, 2017 CHASSIS INTERFACE, FRONT MOUNT PDC, BRAID
NOT SHOWN	62084	1	WIRE HARNES - TAIL LIGHTS 128" WB
24	620851	1	HARNES-WIRE ASSEMBLY, CHASSIS PDC, DIESEL, 2017 CAB
25	122246	1	BRACKET-CAB PDC UPPER
26	122038	1	BRACKET-CAB PDC LOWER
27	82370	8	BOLT-1/4-NC X 1'LG
28	85089	8	WASHER-1/4
29	85023	8	NUT, HEX NYLOK 1/4-20
NOT SHOWN	910564	1	CABLE- 6 GAUGE, BLK, 5/16" x 5/16" x 34" LG
NOT SHOWN	82382	1	BOLT, HEX HD 5/16"-18x 1 1/4 "
NOT SHOWN	85090	1	WASHER 5/16"
NOT SHOWN	85024	1	LOCKNUT, NYLOCK, COARSE, 5/16-18
30	620638	1	MODULE-ELECTRICAL, 2017 CAB, VEHICLE ELECTRICAL CENTER, MODULE 1
31	620639	1	MODULE-ELECTRICAL, 2017 CAB, VEHICLE ELECTRICAL CENTER, MODULE 2
32	82371	4	BOLT, HEX 5/16"-18 x 1" Lg
33	85090	8	WASHER, 5/16" HRDN
34	85024	4	LOCKNUT, 5/16"-18 NYLOK
NOT SHOWN	91021	3	FUSE 5A - F18/F19/F20
NOT SHOWN	91023	13	FUSE 10A - F2/F3/F4/F5/F6/F7/F8/F9/F10/F11/F21/F22/F23
NOT SHOWN	91025	7	FUSE 20A - F1/F12/F14/F15/F16/F17/F24
NOT SHOWN	91027	1	FUSE 30A - F13
35	90207	1	HORN, ELECTRIC
REV	DATE	BY	SHEET
J	4/9/2018	MAL	2 OF 3

