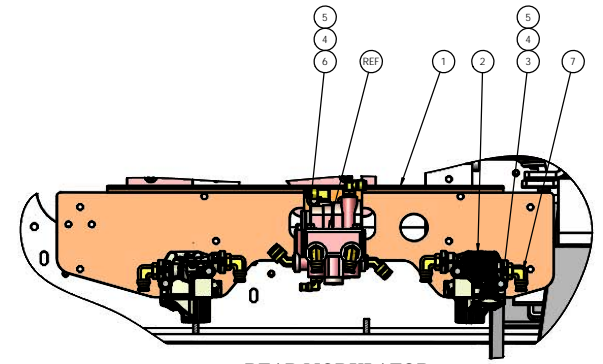
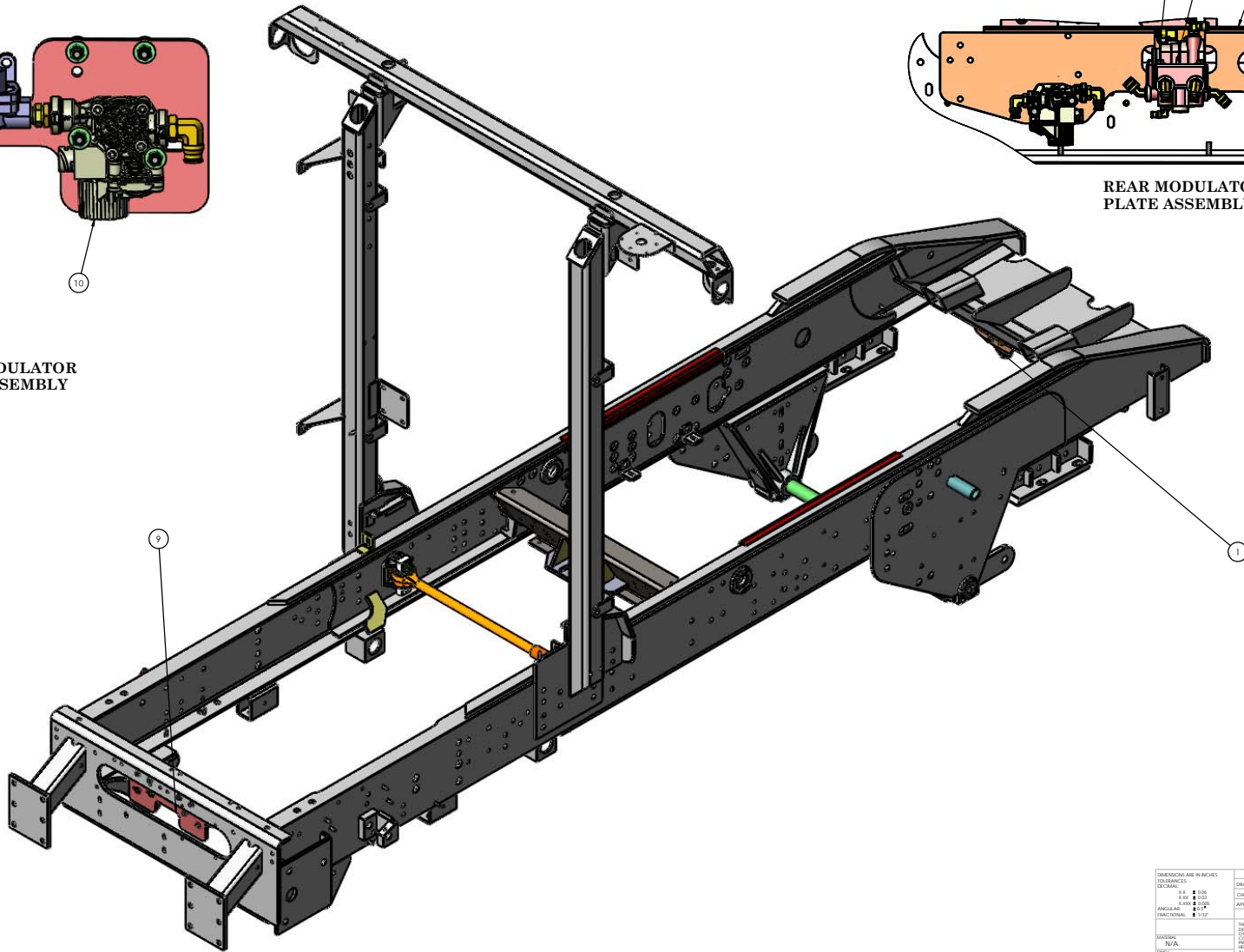


**FRONT MODULATOR  
PLATE ASSEMBLY**



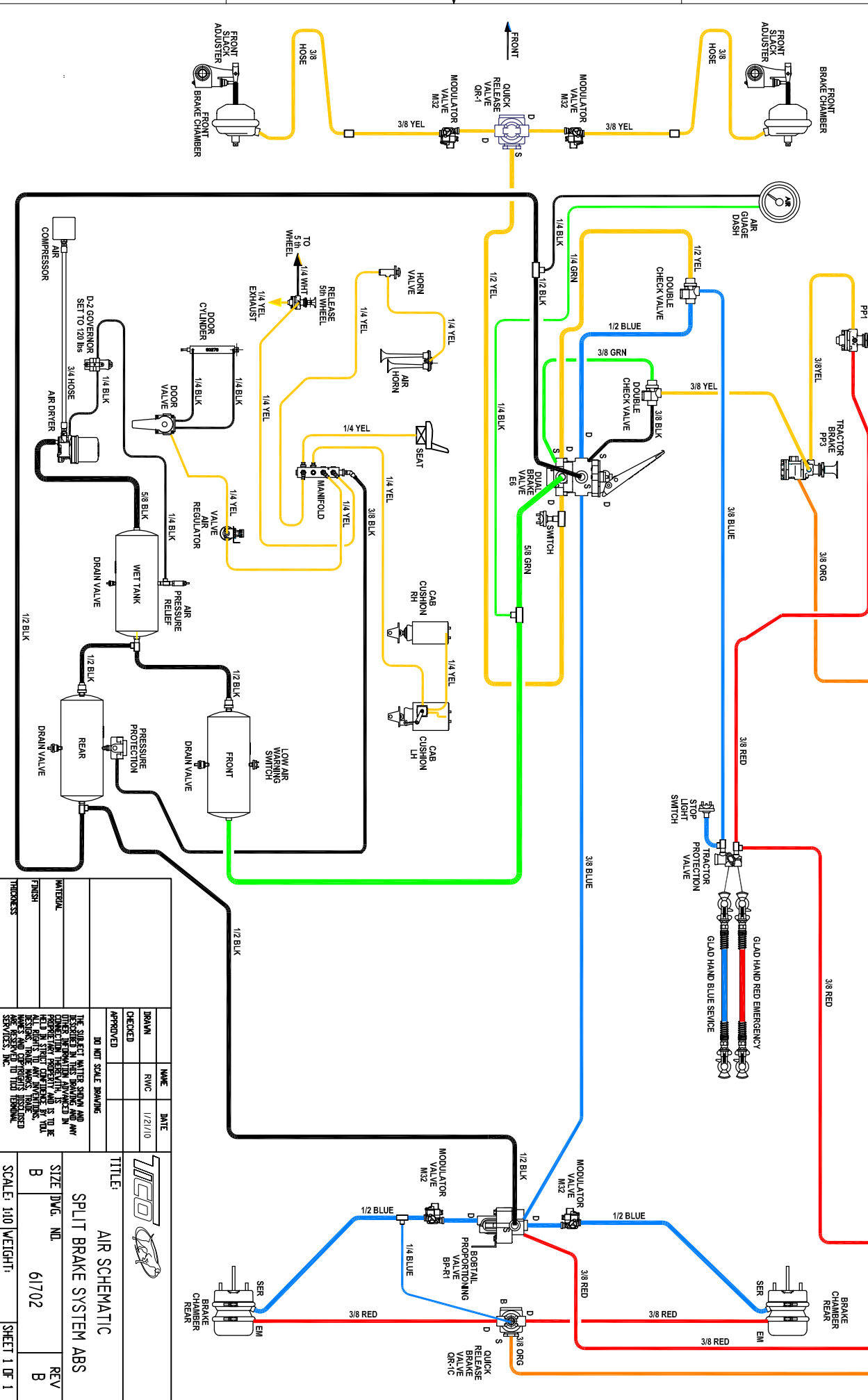
**REAR MODULATOR  
PLATE ASSEMBLY**



|                            |        |   |            |  |
|----------------------------|--------|---|------------|--|
| DIMENSIONS ARE IN INCHES   |        | NAME  | DATE       | TICO MANUFACTURING<br>88 CYPRESS RIDGE DR.<br>ROCKLAND, NC 29086<br>(843) 717-2226 |
| TOLERANCES:                |        | DRAWN   | 11/28/2017 |  |
| DECIMALS                   | ± .005 | BY  |            |  |
| FRACTIONS                  | ± .010 | CHECKED   |            |  |
| ANGULAR                    | ± 0.1° | APPROVED  |            | TITLE: BRAKE SYSTEM-ABS  |
| FRACTIONS                  | ± .1°  | DOT/ISO SCALE DRAWING   |            | SIZE DWG. NO. 721713-A1  |
| UNLESS OTHERWISE SPECIFIED |        | THE SUBJECT MATTER SHOWN AND DESCRIBED IN THE DRAWING AND ANY OTHER INFORMATION CONTAINED HEREIN IS THE PROPERTY OF TICO. ALL RIGHTS TO ANY PATENTS, TRADEMARKS, AND COPYRIGHTS ARE RESERVED TO TICO. TRADEMARKS AND COPYRIGHTS NOTED AS APPLICABLE TO TICO TRADEMARK SERVICE, INC. |            | REV  |
| UNLESS OTHERWISE SPECIFIED |        | SEE NOTE  |            | D  |
| UNLESS OTHERWISE SPECIFIED |        | N/A   |            | SCALE: 1:32 [WEIGHT: 3030.02] SHEET 1 OF 1   |

D 721713-A1

| REV | DESCRIPTION                 | ENR  | DATE    | APPROVED |
|-----|-----------------------------|------|---------|----------|
| A   | PRODUCTION RELEASE          | 1024 | 1/21/10 | JK       |
| B   | REVISION AIR TANKS ROUNTING | 1029 | 3/20/11 | JK       |



| TITLE                  |     | NAME         | DATE    |
|------------------------|-----|--------------|---------|
| AIR SCHEMATIC          |     | RVC          | 1/21/10 |
| SPLIT BRAKE SYSTEM ABS |     |              |         |
| SIZE DWG. NO.          | REV |              |         |
| B                      | B   |              |         |
| SCALE: 1/10 WEIGHT:    |     | SHEET 1 OF 1 |         |

DO NOT SCALE DRAWING

THE SUBJECT MATTER SHOWN AND ANY DIMENSIONS THEREIN ARE TO BE CONSIDERED APPROXIMATE UNLESS OTHERWISE SPECIFIED IN THIS DRAWING. ALL RIGHTS TO ANY PATENTS, TRADEMARKS, TRADE NAMES, TRADE SECRETS, OR OTHER INTELLECTUAL PROPERTY ARE RESERVED TO THE ORIGINAL SERVICE, INC.

FINISH THICKNESS

8 7 6 5 4 3 2 1

A B C D

**TICO PRO-SPOTTER**

**BRAKE SYSTEM-ABS BENDIX, 250 K DATA, ECU-60, 2017-III CAB, 116-128" WB**

**721713**

| ITEM       | PART #      | QTY/M     | DESCRIPTION  |              |
|------------|-------------|-----------|--|--------------|
|            | 721713-A1   | REF       | BRAKE SYSTEM-ABS BENDIX EC 60                      |              |
| NOT SHOWN  | 40676       | 1         | ECU-60 BENDIX                                      |              |
| NOT SHOWN  | 83228       | 2         | SCREW, SOC HD CAP 1/4-20 x 1 1/4                   |              |
| 1          | 10974a      | 1         | PLATE-MOUNT ABS MODULATOR REAR                     |              |
| 2          | 420386      | 2         | VALVE-ABS PRESSURE MODULATOR, BENDIX, M40HF        |              |
| 3          | 81623       | 4         | BOLT, 5/16-NC X 3 LG HEX HD                        |              |
| 4          | 85101       | 10        | WASHER-5/16  |              |
| 5          | 85024       | 6         | NUT, 5/16-NC NYLOCK                                |              |
| 6          | 82371       | 2         | BOLT, 5/16-NC X 1 LG HEX HD                        |              |
| 7          | 42265       | 4         | FITTING, ELBOW 90° BRASS, 1/2 TUBE X 1/2 NPT       |              |
| 8          | 40572       | REF       | VALVE-BOBTAIL/PROPORTIONING BP-R1 W/BRACKET        |              |
| 9          | 40693       | 1         | PLATE-MOUNT ABS MODULATOR FRONT                    |              |
| 10         | 420386      | 2         | VALVE-ABS PRESSURE MODULATOR, BENDIX, M40HF        |              |
| 11         | 81623       | 4         | BOLT, 5/16-NC X 3 LG HEX HD                        |              |
| 12         | 85101       | 10        | WASHER-5/16  |              |
| 13         | 85024       | 6         | NUT, 5/16-NC NYLOCK                                |              |
| 14         | 82393       | 2         | BOLT, 5/16-NC X 1 1/2 LG HEX HD                    |              |
| 15         | 40550       | REF       | VALVE-BRAKE QUICK RELEASE QR-1                     |              |
| 16         | 42265       | 4         | FITTING, ELBOW 90° BRASS, 1/2 TUBE, 1/2 NPT        |              |
| 17         | 42095       | 2         | FITTING, REDUCER BRASS, 1/2 NPT X 3/8 NPTF         |              |
| 18         | 40906       | 2         | FITTING, HEX NIPPLE BRASS, 3/8 NPT                 |              |
| NOT SHOWN  | 620636      | 1         | HARNESS-WIRE, 2017 ABS INTERFACE, FRONT            |              |
| NOT SHOWN  | 620637      | 1         | HARNESS-WIRE, 2017 ABS INTERFACE, MODULATORS, REAR |              |
| NOT SHOWN  | 90895       | 2         | HARNESS-ABS SENSOR/MODULATOR LH                    |              |
| NOT SHOWN  | 910363      | 1         | SWITCH- ROCKER, ABS DIAGNOSTICS                    |              |
|            | 61702       | REF       | AIR SCHEMATIC-ABS                                  |              |
|            | 61769       | REF       | AIR SCHEMATIC-ABS, MV3                             |              |
| <b>REV</b> | <b>DATE</b> | <b>BY</b> |  | <b>SHEET</b> |
| A          | 11/28/2017  | MAL       |  | 1 OF 1       |