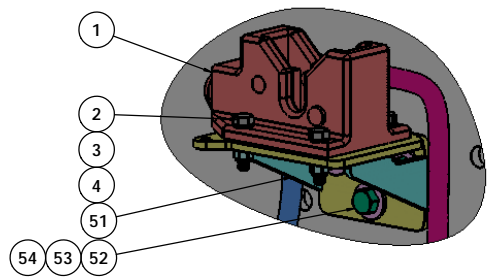
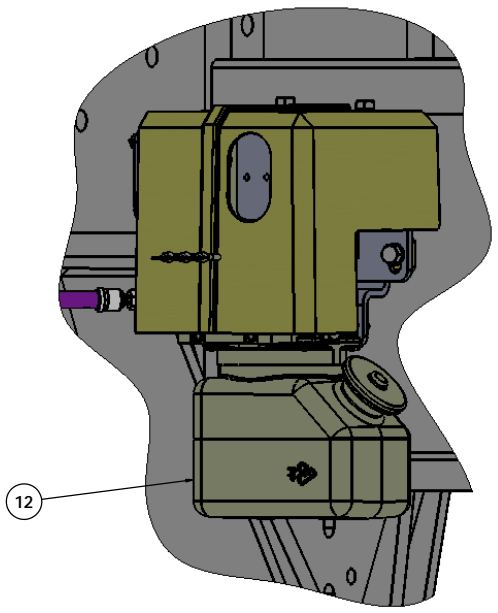


LIFT CYLINDER AND  
LH PIVOT BLOCK



CAB LATCH



CAB LIFT PUMP

CAB SUSPENSION SYSTEM  
PAGE 1 LH OVERVIEW AND DETAIL VIEWS  
PAGE 2 RH OVERVIEW AND DETAIL VIEWS  
PAGE 3-5 PARTS LIST

DIMENSIONS ARE IN INCHES		NAME	DATE	TICO MANUFACTURING 46 CYPRUS ROAD DR. ROCKLAND, NC 29086 (843) 717-2226
DESIGNED	BY	MAL	12/18/2017	
CHECKED	BY			TITLE: CAB SUSPENSION & PIVOTS
APPROVED	BY			
UNITS: INCHES		DRAWING SCALE: AS SHOWN		
TOLERANCES: FRACTIONAL: 1/16"		THE SUBJECT MATTER SHOWN AND DESCRIBED IN THE DRAWING AND ANY OTHER INFORMATION CONTAINED HEREIN IS THE PROPERTY OF TICO MANUFACTURING. IT IS TO BE USED ONLY FOR THE PROJECT AND ALL RIGHTS TO ANY PATENTS, TRADE SECRETS, OR OTHER INTELLECTUAL PROPERTY ARE RESERVED TO TICO MANUFACTURING.		
DATE:	12/18/2017	SIZE	DWG. NO.	REV
ISSUED:	N/A	D	721710-B1	
REVISION:	SEE NOTE	SCALE: 1:32 [WEIGHT: 4654.94] SHEET 1 OF 2		
REWORK:	N/A			



**TICO PRO-SPOTTER**

**CAB SUSPENSION, 22017-II CAB, PSI 8.8L, LIFT PUMP ASS'Y**

**721710**

ITEM	PART #	QTY/M	DESCRIPTION
	721710-B1	REF	CAB SUSPENSION, 22017-II CAB, PSI 8.8L, LIFT PUMP ASS'Y
1	30096-1	2	LATCH, CAB CUSHION AIR RIDE
NOT SHOWN	30096-5	2	WASHER, BUSHING RETAINER CAB CUSHION
2	82394	8	BOLT, HEX 3/8"-16 x 1-1/2"
3	85091	16	WASHER, 3/8" FLAT HRDN
4	85025	8	NUT, 3/8"-16 NYLOK
5	40473	2	FITTING, MALE TEE 1/4" JIC X 1/4" JIC X 1/4" JIC STEEL
6	10625	2	FITTING, ADAPTER BRASS STRAIGHT 1/4 x 1/4
7	30096-2	1	ASSEMBLY, AIRBAG LARGE
8	30096-3	1	ASSEMBLY, AIRBAG SMALL
NOT SHOWN	30096-5	2	WASHER, BUSHING RETAINER CAB CUSHION
9	82383	8	BOLT, HEX 3/8"-16 x 1-1/4"
10	85091	16	WASHER, 3/8" FLAT HRDN
11	85025	8	NUT, 3/8"-16 NYLOK
12	200392	1	ASSEMBLY, CAB LIFT PUMP, NO SWITCH, RESTRICTIVE CHECK VALVE
13	12245	1	SWITCH-CAB PUMP TTC-1 W/ MALE W/P CONN
14	80199	2	SCREW, PAN HD 10/32 x 1 1/2 Lg
15	80232	2	WASHER 10-32
16	80209	2	LOCK NUT 10-32
17	122256	1	BRACKET, CAB LIFT SWITCH, 2017 PSI 8.8L
18	300377	1	CYLINDER, CAB LIFT HYDRAULIC
19	10071-4	1	PIN, CAB LIFT CYLINDER LOWER
20	40018	1	PIN, 3/8 ROLL x 2"
21	42001	1	STRAIGHT ADAPTER 1/4 O-RING TO 1/4 JIC
22	420314	1	VALVE, VELOCITY FUSE,90° SWIVEL, 0.2 TO 4.0 GPM, CLOSING FLOW 0.8 GPM
23	90341	1	PIN - UPPER LIFT CYLINDER
24	40018	1	PIN, 3/8 ROLL x 2"
25	85119	9	WASHER, FLAT 1"
26	41151	1	HOSE ASSY- NO 4, OAL 41 1/2LG, STR/90°
	41151-1	1	HOSE-HYD 1/4" X 36 1/2" (H24504)
	40513	1	FITTING, STRAIGHT
	40511	1	FITTING, 90°
27	41298	1	HOSE ASSY - NO 4, OAL 73-3/4" LG, STR/STR
	41298H	1	HOSE-HYD HI PRES 1/4" ID x 71" LG (H24504)
	40513	2	FITTING, STRAIGHT 1/2" OD
<b>REV</b>	<b>DATE</b>	<b>BY</b>	<b>SHEET</b>
B	12/13/2017	MAL	1 OF 3

**TICO MANUFACTURING - RIDGELAND, SC 29936**

**TICO PRO-SPOTTER**

**CAB SUSPENSION, 22017-II CAB, PSI 8.8L, LIFT PUMP ASS'Y**

**721710**

ITEM	PART #	QTY/M	DESCRIPTION
28	41228	1	HOSE ASSY-NO 4, OAL 80 1/2LG, STR/90°
	41228H	1	HOSE-HYD 1/4 ID X 77 15/16 LG (H24504)
	40513	1	FITTING, STRAIGHT 1/2" OD
	40511	1	FITTING, 90°
29	40833	1	FITTING, STR ADAPTER, 3/8" NPTM X 1/4" TUBE, PUSH-ON, BRASS
30	11000	20IN	TUBE, 1/4 OD AIR BRAKE (YELLOW) x 20" Lg
NOT SHOWN	41069	1	LOOM 1/4" ID - DELL CITY P/N 783
NOT SHOWN	41069	1	LOOM 1/4" ID - DELL CITY P/N 783
31	121021	1	BLOCK ASS'Y, LH CAB PIVOT, GALV
	121019	1	BLOCK SUB-ASS'Y, LH CAB PIVOT
	121016	1	CAP, FWD CAB PIVOT
	80223	1	FLHD SOC 1/2"-20X2 1/2" lg
	80349	1	STUD, 5/16"-18 x 1" Lg
32	121020	1	BLOCK ASS'Y, RH CAB PIVOT, GALV
	121018	1	BLOCK SUB-ASS'Y, RH CAB PIVOT
	121016	1	CAP, FWD CAB PIVOT
	80223	1	FLHD SOC 1/2"-20X2 1/2" lg
	80349	2	STUD, 5/16"-18 x 1" Lg
33	90688	2	BUSHING, MOD RUBBER CAB PIVOT 2.06 OD
34	82539	4	BOLT, HEX 1/2"-13 x 4-3/4" Lg
35	85093	8	WASHER, 1/2" FLAT HRDN
36	85027	4	NUT, 1/2"-13 NYLOK
37	82464	4	BOLT, HEX 3/4"-10 x 3" Lg
38	85095	8	WASHER, 3/4" FLAT HRDN
39	85029	4	NUT, 3/4"-10 NYLOK
NOT SHOWN	85093	2	WASHER, 1/2" FLAT HRDN
NOT SHOWN	85071	2	NUT, 1/2"-20 UNF NYLOK
40	122253	4	PIVOT PLATE ASS'Y (2017-II), GALV
	122021	4	MOUNTING PLATE CAB PIVOT RH
	10986	4	BUSHING CAB PIVOT 1" ID
41	82595	6	BOLT 5/8-11 X 6 Lg
42	85028	6	LOCK NUT 5/8-11
43	85115	12	WASHER, FLAT 5/8
REV	DATE	BY	SHEET
B	12/13/2017	MAL	2 OF 3

**TICO PRO-SPOTTER**

**CAB SUSPENSION, 22017-II CAB, PSI 8.8L, LIFT PUMP ASS'Y**

**721710**

ITEM	PART #	QTY/M	DESCRIPTION
44	121010	2	PIN, CAB PIVOT
45	40018	4	PIN, 3/8 ROLL x 2"
46	12361	1	LATCH, CAB SAFETY BAR
47	10945-3	1	PIN, 1" CAB SAFETY LATCH BAR
48	40018	2	PIN, 3/8 ROLL x 2"
49	85119	2	WASHER, FLAT 1"
NOT SHOWN	12168	1	DECAL-CAB PUMP INSTRUCTIONS
50	20157	1	BRACKET, CAB CUSHION WELDMENT, LH
	20157-1	2	GUSSET, CAB CUSHION BRACKET, LH
	20157-2	1	ANGLE, CAB CUSHION BRACKET, LH
NOT SHOWN	12351	REF	SHIM PLATE CAB PIVOT
			NOTE: USE AS REQUIRED
51	20158	1	BRACKET, CAB CUSHION WELDMENT, RH
	20158-1	2	GUSSET, CAB CUSHION BRACKET, RH
	20158-2	1	ANGLE, CAB CUSHION BRACKET, RH
52	82396	6	BOLT 1/2-13 X 1-1/2 Lg
53	85038	6	LOCK NUT 1/2-13
54	85115	12	WASHER, FLAT 1/2
55	121807	1	HANDLE ASSEMBLY, 45° CNG CAB LATCH
	121807-1	1	ROD, 45° CNG CAB LATCH HANDLE
	10017-2	1	TUBE HANDLE
56	85111	2	WASHER, FLAT 1/2
57	80148	1	COTTER PIN, 1/8
58	40593	1	CLAMP, P 1" ID
NOT SHOWN	12815	1	BRACKET - CAB FLOOR FENDER, STUD ADAPTER (CAB LATCH HANDLE)
NOT SHOWN	82371	1	BOLT, 5/16-18 X 1 LG
NOT SHOWN	85024	1	LOCK NUT, 5/16-18
NOT SHOWN	85090	2	WASHER, FLAT 5/16
NOT SHOWN	41273	1	CLAMP, P 1/2" ID
NOT SHOWN	82359	1	BOLT, 1/4-20 X 3/4 Lg
NOT SHOWN	85023	1	LOCK NUT, 1/4-20
NOT SHOWN	85089	2	WASHER , FLAT 1/4
REV	DATE	BY	SHEET
B	12/13/2017	MAL	3 OF 3