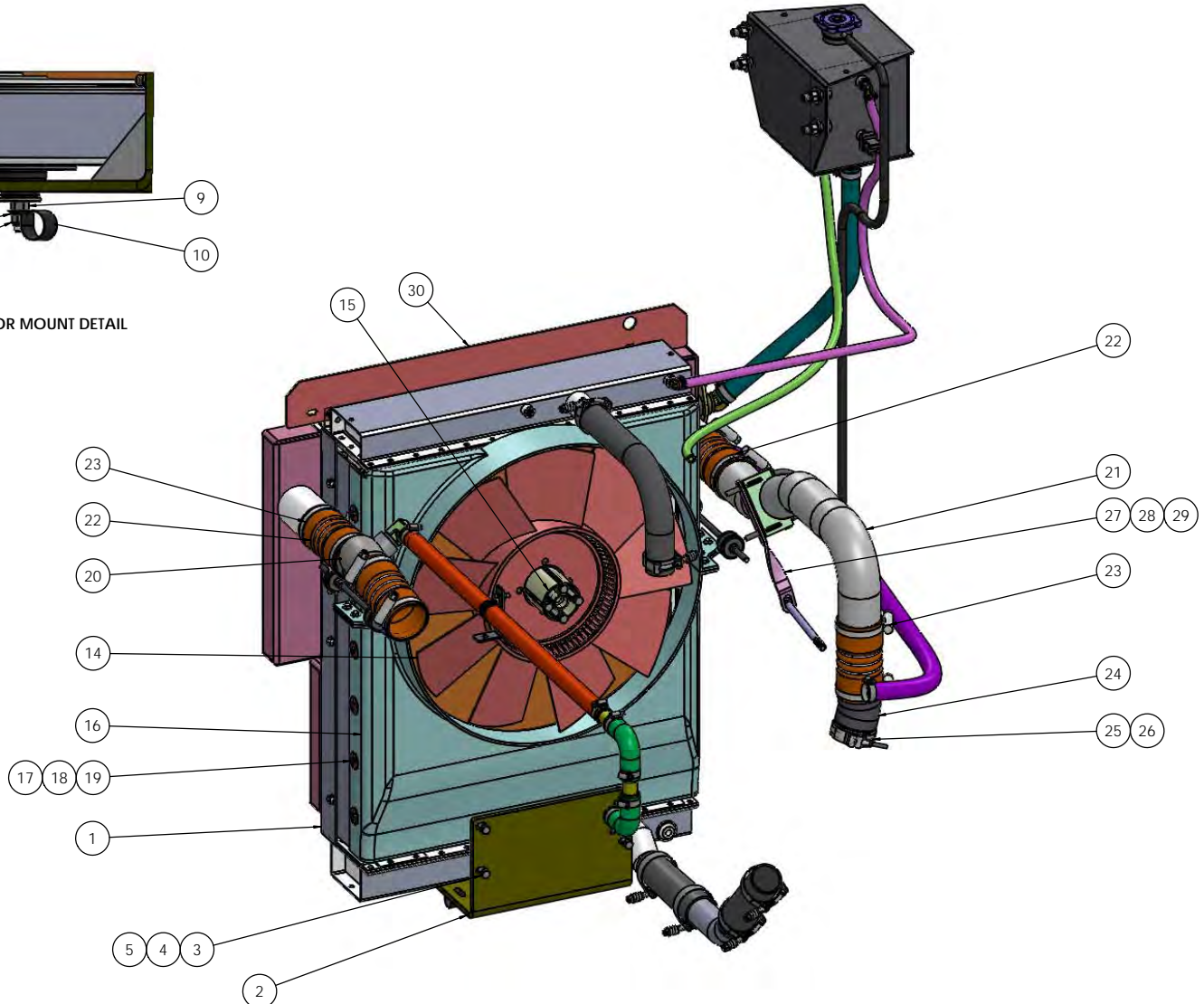


RADIATOR MOUNT DETAIL



RADIATOR DETAIL & CAC TUBES

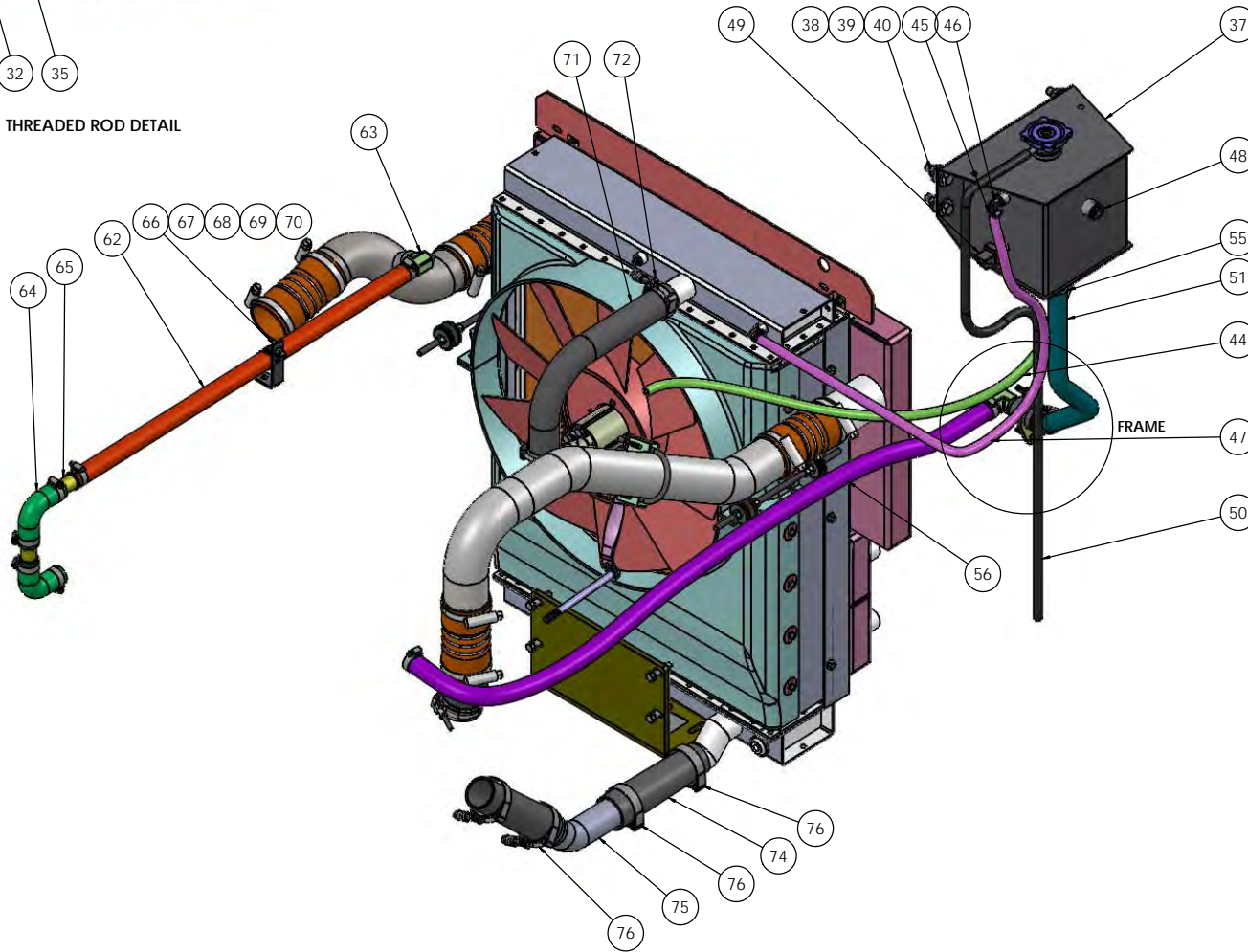
COOLING SYSTEM
 PAGE 1 RADIATOR & TUBES DETAIL
 PAGE 2 SURGE TANK & HOSES
 PAGE 3-5 PARTS LIST

DIMENSIONS ARE IN INCHES		NAME	DATE	 WECO MANUFACTURING 840 CYPRESS RIDGE DR. ROCKLAND, NC 27854 (843) 717-2226
DESIGNED	BY: M. B. BIR	DRAMAN	MAL 1/27/2018	
TOLERANCES	FRACTIONAL: ± 0.005	CHECKED		TITLE: COOLING SYSTEM 2015-2017- ISB, Q5B-IV
	DECIMAL: ± 0.01	APPROVED		
	ANGULAR: ± 0.1°	DOTTED SCALE DRAWING THE SUBJECT MATTER SHOWN AND DESCRIBED IN THE DRAWING AND ANY OTHER INFORMATION CONTAINED IN THIS DRAWING IS UNCLASSIFIED BY DATE 08/14/2018 AUTHORITY 25X ALL RIGHTS TO ANY PATENT OR OTHER INTELLECTUAL PROPERTY CLAIMED ARE HEREBY WAIVED. THIS DRAWING AND CONTAINED THEREON ARE BEING MADE AVAILABLE TO THE PUBLIC.		SIZE DWG. NO. REV D 721705-A1 SCALE: 1:12 WEIGHT: SHEET 1 OF 2

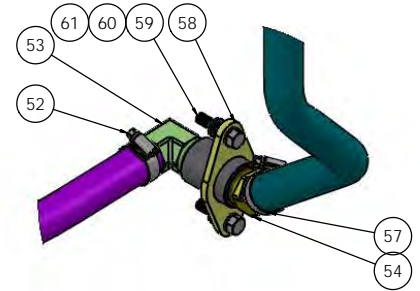


- 31
- 36
- 34
- 33
- 32
- 35

THREADED ROD DETAIL



SURGE TANK AND HOSE DETAIL



FRAME COUPLING BRACKET

REV	DATE	BY	CHKD	APP'D	DESCRIPTION
1	1/27/2018				ISSUE FOR MANUFACTURE

DIMENSIONS ARE IN INCHES TOLERANCES UNLESS OTHERWISE SPECIFIED: FINISH: 32 R.A. SURFACE: 32 R.A. ANGULAR: ±0.5° HOLE POSITION: ±0.015"	THE DIMENSIONS SHOWN AND SPECIFIED ON THIS DRAWING ARE TO BE MAINTAINED UNLESS OTHERWISE SPECIFIED BY A REVISION. ALL DIMENSIONS ARE TO FACE UNLESS OTHERWISE SPECIFIED. DIMENSIONS TO HOLE CENTERLINE ARE TO FACE UNLESS OTHERWISE SPECIFIED. DIMENSIONS TO HOLE CENTERLINE ARE TO FACE UNLESS OTHERWISE SPECIFIED.	TITLE: COOLING SYSTEM 2015-2017 ISB, Q3B-IV SIZE: D DWG. NO.: 721705-A1 SCALE: 1:12 WEIGHT:	TICO/TERMINAL SERVICE 66 CYPRUS ROAD DR. ROCKLAND, SC 29588 (843) 717-2226 REV SHEET 2 OF 2
---	---	--	--

D 721705-A1

TICO PRO-SPOTTER			
COOLING SYSTEM, 2015-2017 ISB/QSB-IV			721705
ITEM	PART #	QTY/M	DESCRIPTION
	721817-A1	REF	COOLING SYSTEM, 2015-2017 ISB/QSB-IV
1	620586	1	RADIATOR ASSY - W/AC CONDENSER MTG - 1/2" STUDS,BAR/PLATE
2	12736	1	RADIATOR MOUNT, RUBBER ISOLATORS
3	82405	4	BOLT, HEX 3/8-16 x 1-3/4" Lg BRKT to ENGINE MT
4	85091	8	WASHER, FLAT 3/8
5	85036	4	LOCKNUT - 3/8-16
6	62254	2	ISOLATOR - RADIATOR MOUNT
7	85025	2	LOCKNUT, 3/8-16
8	85091	2	WASHER, FLAT 3/8
9	85014	2	NUT, HEX 3/8-16
10	40593	2	CLAMP, P 1.0
11	80346	4	WASHER, FENDER 3/8" ID x 1 1/2" OD
12	62110	2	WASHER - FRONT ENGINE MOUNT - BOTTOM
13	62332	2	WASHER - RADIATOR MOUNT TOP
14	61842	1	FAN, ENG 22" 9 BLADE COMP 3.75 PW
15	62173	1	SPACER-FAN 19mm
NOT SHOWN	62328	1	CAPTURE PLATE
NOT SHOWN	60799-19	4	BOLT, 10mm x 50mm LG, SERRRATED FLANGE HEAD
NOT SHOWN	85135	4	LOCKWASHER 3/8
NOT SHOWN	62101	1	BRACKET, TWIST
16	60988	1	FAN SHROUD
17	82370	8	BOLT, HEX 1/4-20 X 1" LG SHROUD SIDES
18	80129	12	WASHER, FENDER 1/4" ID x 1 1/4" OD
19	85034	12	LOCKNUT 1/4
NOT SHOWN	40593	2	P-CLAMP
20	62055	1	TUBE, CAC, ASSEMBLY, LH, ISB13
21	61968	1	TUBE, CAC, RH, TIER IV
22	40175	4	HOSE, HUMP
23	40185	8	CLAMP, CONSTANT TORQUE 2 3/4 - 3 5/8
24	62048	1	ELBOW, CAC PIPE, ISB
25	42261	1	CLAMP, V BAND
26	42262	1	SEAL, O-RING
27	30337	1	BRACKET, CAC RH TUBE TO ALTERNATOR
28	40005	1	CLAMP, 3" MUFFLER
29	80368	1	BOLT, HEX HD 12mm X 160mm LG GRD 8.8 PLATED
REV	DATE	BY	SHEET
A	1/27/2018	MAL	1 OF 3

TICO PRO-SPOTTER				
COOLING SYSTEM, 2015-2017 ISB/QSB-IV				721705
ITEM	PART #	QTY/M	DESCRIPTION	
30	61644	1	BAFFLE, RADIATOR TOP	
31	61603	2	ROD, THREADED 3/8-16 x 12" LG	
32	60857	8	RUBBER MOUNT, 3/8 ID x 1.75 OD	
33	80346	8	WASHER, FENDER 3/8" ID x 1.75 OD	
34	85102	8	WASHER, FLAT 3/8	
35	85003	4	JAM NUT, 3/8-16	
36	85036	4	NUT, LOCK 3/8	
37	61936	1	SURGE TANK	
38	82407	4	BOLT-1/2-13NC X 1 3/4 LG HEX HD	
39	85115	4	WASHER, FLAT 1/2	
40	85027	4	LOCKNUT, 1/2-13 NYLON	
41	42136	1	FITTING, HOSE BARB STR BRASS, 3/8 HOSE TO 3/8 NPT	
42	42239	2	FITTING, HOSE BARB 90° BRASS, 3/8 HOSE X 3/8 NPT	
43	42148	2	CLAMP, HOSE WORM GEAR 1/4 TO 5/8	
44	42192	65 IN	HOSE, 3/8 (ENGINE TO SURGE TANK)	
45	42239	2	FITTING, HOSE BARB 90° BRASS, 3/8 HOSE X 3/8 NPT	
46	42148	2	CLAMP, HOSE WORM GEAR 1/4 TO 5/8	
47	42192	55 IN	HOSE, 3/8 (RADIATOR TO SURGE TANK)	
48	40092	1	PIPE PLUG, 3/8 NPT	
49	60824	1	SENSOR FLUID LEVEL	
50	40811	61 IN	HOSE, OVERFLOW 5/16" ID	
51	41265	32 IN	HOSE, HEATER 1" X 32" LG - SURGE TANK TO FRAME	
52	40190-2	2	CLAMP, CONSTANT TORQUE 1 1/16 -2	
53	40721	1	FITTING, HOSE BARB 90° STEEL, 1" HOSE X 1" NPT	
54	40722	1	FITTING, HOSE BARB 45° STEEL, 1" HOSE X 1" NPT	
55	42110	1	FITTING, HOSE BARB STR STEEL, 1" HOSE X 1" NPT	
56	41265	26 IN	HOSE, HEATER 1" X 26" LG - FRAME TO WATER PUMP	
57	40190-2	2	CLAMP, CONSTANT TORQUE 1 1/16 -2	
58	12898	1	FRAME COUPLING BRACKET, SURGE TANK	
59	82394	2	BOLT, HEX 3/8"-16 X 1 1/2" Lg	
60	85091	4	WASHER, FLAT 3/8"	
61	85025	2	NUT, 3/8"-16 NYLON	
REV	DATE	BY		SHEET
A	1/27/2018	MAL		2 OF 3

