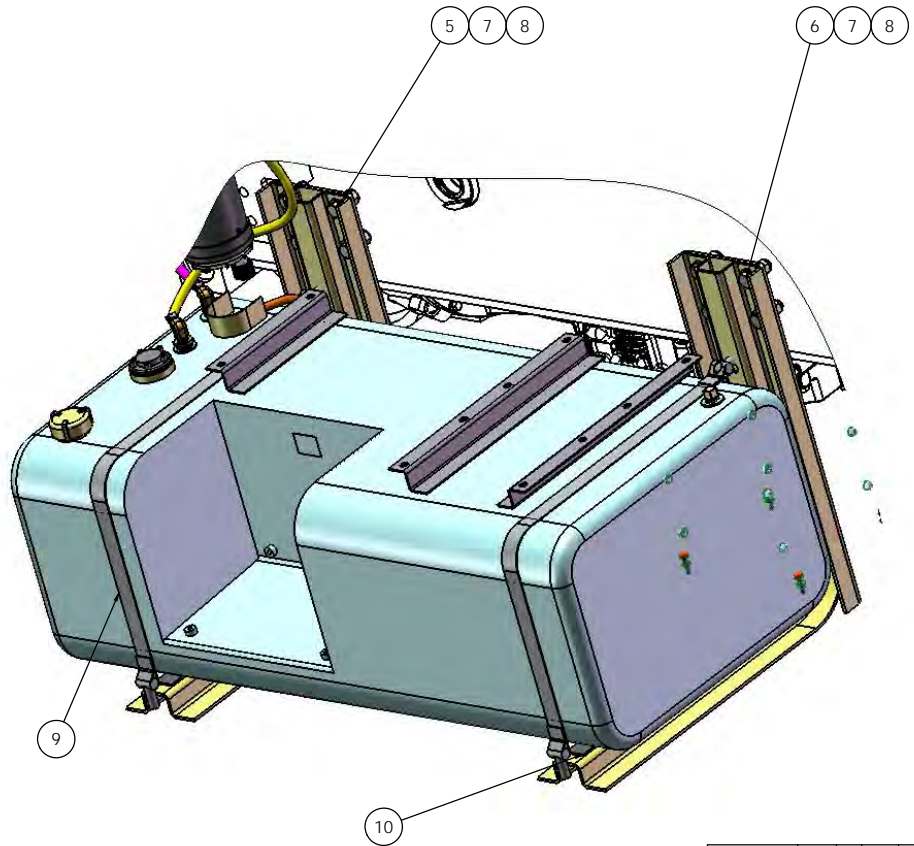
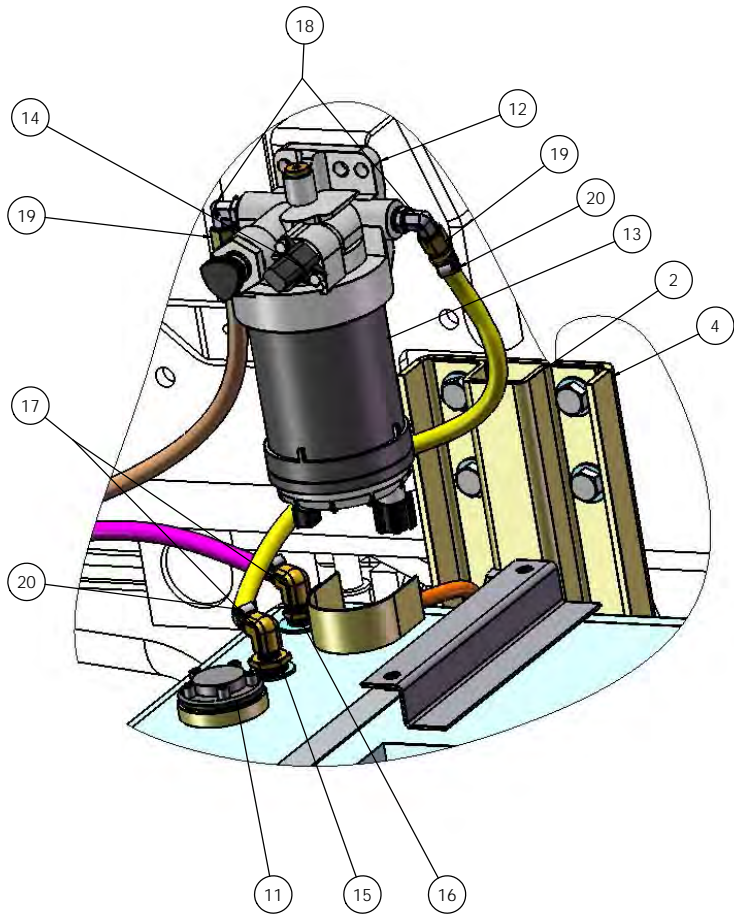


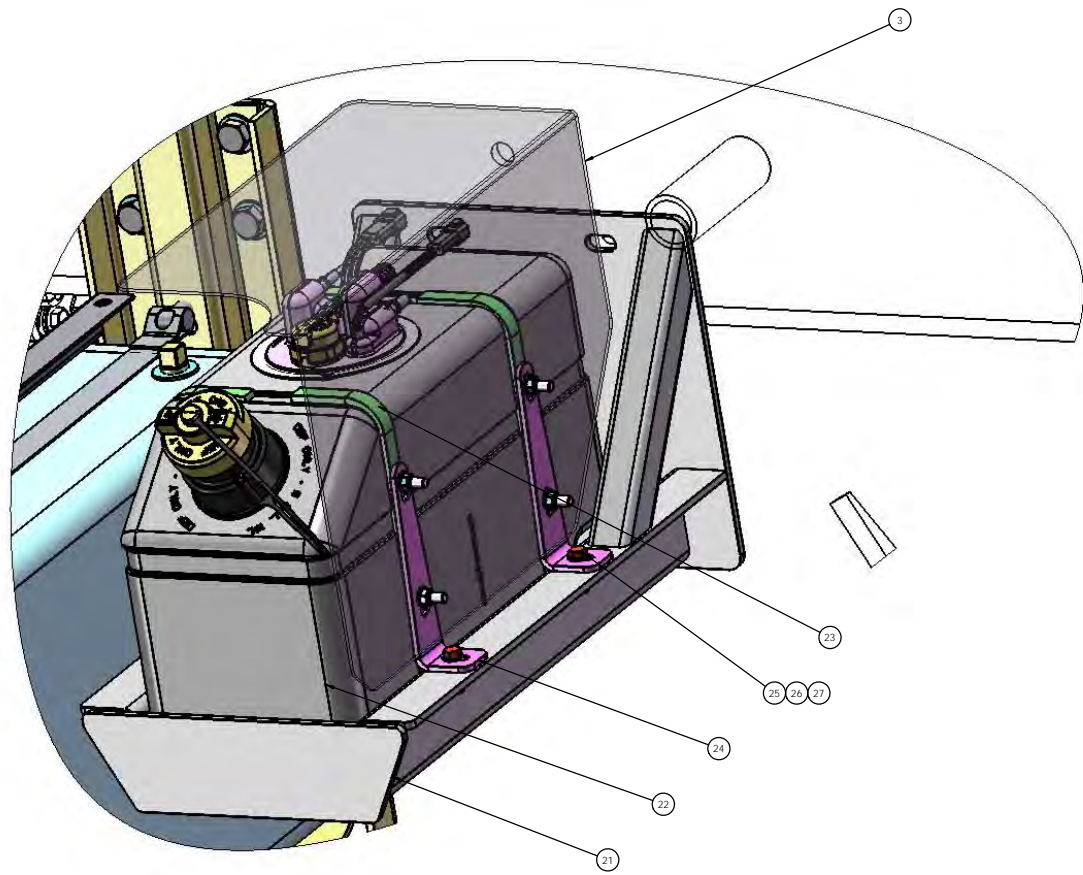
FUEL TANK & SYSTEM  
 PAGE 1 OVERVIEW  
 PAGE 2 TANK & FILTER VIEWS  
 PAGE 3 DEF TANK VIEW  
 PAGE 4-5 PARTS LIST


DIMENSIONS ARE IN INCHES		NAME	DATE	 WCO MANUFACTURING 46 CYPRESS RIDGE DR. ROCKLAND, NC 27854 (843) 717-2226
DRAWN	MAL	8/1/2017		
TOLERANCES UNLESS SPECIFIED:		CHECKED		TITLE: FUEL TANK & SYSTEM
FRACTIONAL	1/16	APPROVED		SIZE DWG. NO. 721674-J1
DECIMAL	0.005	ISOMETRIC SCALE DRAWING THE SUBJECT MATTER SHOWN AND DESCRIBED IN THE DRAWING AND ANY OTHER INFORMATION CONTAINED HEREIN IS THE PROPERTY OF WCO AND IS TO BE USED FOR THE PURPOSES SPECIFIED ONLY. ALL RIGHTS TO ANY PATENTS, TRADEMARKS, OR OTHER INTELLECTUAL PROPERTY ARE RESERVED TO WCO. WCO SHALL NOT BE RESPONSIBLE FOR ANY DAMAGE TO PERSONS OR PROPERTY CAUSED BY THE USE OF THIS DRAWING.		REV
ANGULAR	0.1°	SCALE	1:32	WEIGHT: 68.35 ASSEMBLY SHEET 1 OF 3
FRACTIONAL	1/16	REVISIONS		



REFERENCES ARE IN INCHES	DATE	8/12/07	TCO/TERMINAL SERVICE
DESIGNED BY: [blank]	ISSUED		AS CYPRUS ROUGE DR.
CHECKED BY: [blank]	REVISED		ROCKLAND, NC 27854
APPROVED BY: [blank]	APPROVED		(843) 777-2226
FUNCTIONAL: [blank]	FUNCTIONAL		
REVISIONS:	REVISED SCALE DRAWING		
REVISION 1: [blank]	REVISION 1: [blank]		
REVISION 2: [blank]	REVISION 2: [blank]		
REVISION 3: [blank]	REVISION 3: [blank]		
REVISION 4: [blank]	REVISION 4: [blank]		
REVISION 5: [blank]	REVISION 5: [blank]		
REVISION 6: [blank]	REVISION 6: [blank]		
REVISION 7: [blank]	REVISION 7: [blank]		
REVISION 8: [blank]	REVISION 8: [blank]		
REVISION 9: [blank]	REVISION 9: [blank]		
REVISION 10: [blank]	REVISION 10: [blank]		
REVISION 11: [blank]	REVISION 11: [blank]		
REVISION 12: [blank]	REVISION 12: [blank]		
REVISION 13: [blank]	REVISION 13: [blank]		
REVISION 14: [blank]	REVISION 14: [blank]		
REVISION 15: [blank]	REVISION 15: [blank]		
REVISION 16: [blank]	REVISION 16: [blank]		
REVISION 17: [blank]	REVISION 17: [blank]		
REVISION 18: [blank]	REVISION 18: [blank]		
REVISION 19: [blank]	REVISION 19: [blank]		
REVISION 20: [blank]	REVISION 20: [blank]		
REVISION 21: [blank]	REVISION 21: [blank]		
REVISION 22: [blank]	REVISION 22: [blank]		
REVISION 23: [blank]	REVISION 23: [blank]		
REVISION 24: [blank]	REVISION 24: [blank]		
REVISION 25: [blank]	REVISION 25: [blank]		
REVISION 26: [blank]	REVISION 26: [blank]		
REVISION 27: [blank]	REVISION 27: [blank]		
REVISION 28: [blank]	REVISION 28: [blank]		
REVISION 29: [blank]	REVISION 29: [blank]		
REVISION 30: [blank]	REVISION 30: [blank]		
REVISION 31: [blank]	REVISION 31: [blank]		
REVISION 32: [blank]	REVISION 32: [blank]		
REVISION 33: [blank]	REVISION 33: [blank]		
REVISION 34: [blank]	REVISION 34: [blank]		
REVISION 35: [blank]	REVISION 35: [blank]		
REVISION 36: [blank]	REVISION 36: [blank]		
REVISION 37: [blank]	REVISION 37: [blank]		
REVISION 38: [blank]	REVISION 38: [blank]		
REVISION 39: [blank]	REVISION 39: [blank]		
REVISION 40: [blank]	REVISION 40: [blank]		
REVISION 41: [blank]	REVISION 41: [blank]		
REVISION 42: [blank]	REVISION 42: [blank]		
REVISION 43: [blank]	REVISION 43: [blank]		
REVISION 44: [blank]	REVISION 44: [blank]		
REVISION 45: [blank]	REVISION 45: [blank]		
REVISION 46: [blank]	REVISION 46: [blank]		
REVISION 47: [blank]	REVISION 47: [blank]		
REVISION 48: [blank]	REVISION 48: [blank]		
REVISION 49: [blank]	REVISION 49: [blank]		
REVISION 50: [blank]	REVISION 50: [blank]		
REVISION 51: [blank]	REVISION 51: [blank]		
REVISION 52: [blank]	REVISION 52: [blank]		
REVISION 53: [blank]	REVISION 53: [blank]		
REVISION 54: [blank]	REVISION 54: [blank]		
REVISION 55: [blank]	REVISION 55: [blank]		
REVISION 56: [blank]	REVISION 56: [blank]		
REVISION 57: [blank]	REVISION 57: [blank]		
REVISION 58: [blank]	REVISION 58: [blank]		
REVISION 59: [blank]	REVISION 59: [blank]		
REVISION 60: [blank]	REVISION 60: [blank]		
REVISION 61: [blank]	REVISION 61: [blank]		
REVISION 62: [blank]	REVISION 62: [blank]		
REVISION 63: [blank]	REVISION 63: [blank]		
REVISION 64: [blank]	REVISION 64: [blank]		
REVISION 65: [blank]	REVISION 65: [blank]		
REVISION 66: [blank]	REVISION 66: [blank]		
REVISION 67: [blank]	REVISION 67: [blank]		
REVISION 68: [blank]	REVISION 68: [blank]		
REVISION 69: [blank]	REVISION 69: [blank]		
REVISION 70: [blank]	REVISION 70: [blank]		
REVISION 71: [blank]	REVISION 71: [blank]		
REVISION 72: [blank]	REVISION 72: [blank]		
REVISION 73: [blank]	REVISION 73: [blank]		
REVISION 74: [blank]	REVISION 74: [blank]		
REVISION 75: [blank]	REVISION 75: [blank]		
REVISION 76: [blank]	REVISION 76: [blank]		
REVISION 77: [blank]	REVISION 77: [blank]		
REVISION 78: [blank]	REVISION 78: [blank]		
REVISION 79: [blank]	REVISION 79: [blank]		
REVISION 80: [blank]	REVISION 80: [blank]		
REVISION 81: [blank]	REVISION 81: [blank]		
REVISION 82: [blank]	REVISION 82: [blank]		
REVISION 83: [blank]	REVISION 83: [blank]		
REVISION 84: [blank]	REVISION 84: [blank]		
REVISION 85: [blank]	REVISION 85: [blank]		
REVISION 86: [blank]	REVISION 86: [blank]		
REVISION 87: [blank]	REVISION 87: [blank]		
REVISION 88: [blank]	REVISION 88: [blank]		
REVISION 89: [blank]	REVISION 89: [blank]		
REVISION 90: [blank]	REVISION 90: [blank]		
REVISION 91: [blank]	REVISION 91: [blank]		
REVISION 92: [blank]	REVISION 92: [blank]		
REVISION 93: [blank]	REVISION 93: [blank]		
REVISION 94: [blank]	REVISION 94: [blank]		
REVISION 95: [blank]	REVISION 95: [blank]		
REVISION 96: [blank]	REVISION 96: [blank]		
REVISION 97: [blank]	REVISION 97: [blank]		
REVISION 98: [blank]	REVISION 98: [blank]		
REVISION 99: [blank]	REVISION 99: [blank]		
REVISION 100: [blank]	REVISION 100: [blank]		

TITLE: FUEL TANK & SYSTEM  
 SIZE: D DWG. NO: 721674-J1 REV: [blank]  
 SCALE: 1:32 WEIGHT: 6835.63 SHEET 2 OF 3



REFERENCES ARE IN INCHES	SCALE	DATE	 <small>TACO TERMINAL SERVICE          66 CYPRUS ROAD DR.          ROCKLAND, NC 27854          (843) 717-2226</small>
<small>DEVIATIONS:          1/8" &amp; 3/16"          1/4" &amp; 3/8"          1/2" &amp; 5/8"          3/4" &amp; 1"</small>	<small>1/4" &amp; 3/8"          1/2" &amp; 3/4"          1" &amp; 1 1/4"</small>	<small>8/1/2017</small>	
<small>REVISIONS:          1. 8/1/17          2. 8/1/17          3. 8/1/17</small>	<small>REVISED          APPROVED</small>	<small>DESIGNED          DRAWN</small>	<small>TITLE:          FUEL TANK &amp; SYSTEM</small>
<small>REVISIONS:          1. 8/1/17          2. 8/1/17          3. 8/1/17</small>	<small>REVISED          APPROVED</small>	<small>DESIGNED          DRAWN</small>	<small>SCALE: 1:32   WEIGHT: 6835.65   SHEET 3 OF 3</small>

D 721674-J1



TICO PRO-SPOTTER				
FUEL TANK & SYSTEM, QSB-IV HEATED FUEL WATER SEP, 65 GAL STP FWD TK, DEF, 116"				721674
ITEM	PART #	QTY/M	DESCRIPTION	
18	42141	2	FITTING,ADAPTER 90°, 14mm ORB X #6 JIC	
19	42146	2	FITTING, HOSE BARB - STR, 3/8 HOSE X #6 JIC	
NOT SHOWN	42269	1	FITTING, FUEL INLET, 3/8 HOSE PUSH ON	
NOT SHOWN	42269-1	1	SEAL, WASHER, FUEL INLET	
NOT SHOWN	41214	32"	HOSE-3/8 FUEL SAE 30R9	
20	42148	4	CLAMP, HOSE WORM GEAR 1/4 to 5/8	
NOT SHOWN	40811	30"	HOSE-5/16 FUEL SAE 30R9	
21	121157	1	TANK MOUNT WELDMENT - DEF	
22	62433	1	DEF TANK, QUALITY SENSOR & J1939 MONITOR	
23	20086-4	4	FLAT BAR WELDMENT	
24	20086-5	4	BRACKET - DEF TANK	
NOT SHOWN	20032-2	1	GROMMET, 2.0"OD 1.25"ID 1.5"GD .516"THK .250"GW	
25	82382	4	BOLT - 5/16-18 X 1-1/4 LG	
26	85024	12	NUT-NYLOCK 5/16	
27	85090	16	WASHER - FLAT 5/16	
NOT SHOWN	20086-2	1	COOLANT CONTROL VALVE	
NOT SHOWN	42289	2	HOSE - DEF - HEATED - SUCTION - 2 METER	
NOT SHOWN	42290	1	HOSE - DEF - HEATED - PRESSURE - 3 METER	
NOT SHOWN	40774	2	FITTING, TEE DEF COOLING	
NOT SHOWN	41178	94"	HOSE - SILICONE - ENGINE TO TEE FEED, 5/8	
NOT SHOWN	41178	27"	HOSE - SILICONE - TEE TO FLOW VALVE FEED, 5/8	
NOT SHOWN	41178	2.5"	HOSE - SILICONE - FLOW VALVE TO DEF TANK FEED, 5/8	
NOT SHOWN	41178	36"	HOSE - SILICONE - DEF TANK TO TEE RET, 5/8	
NOT SHOWN	41178	132"	HOSE - SILICONE - TEE TO ENG RET, 5/8	
NOT SHOWN	41158	140"	HOSE - COOLANT SAE20R3D2- TEE TO REACT FEED, 3/8	
NOT SHOWN	41158	112"	HOSE - COOLANT SAE20R3D2- REACT TO TEE RET, 3/8	
NOT SHOWN	420353	1	FITTING-COOLANT SAFE LOCK, STR	
NOT SHOWN	420352	1	FITTING-COOLANT SAFE LOCK, 90 DEG	
NOT SHOWN	42150	10	HOSE CLAMP	
NOT SHOWN	42148	8	HOSE CLAMP	
NOT SHOWN	61883	3	BRACKET, STANDOFF	
NOT SHOWN	40596	8	P-CLAMP, 5/8"	
NOT SHOWN	82371	8	BOLT - 5/16"-18 X 1" Lg	
NOT SHOWN	85090	16	WASHER - FLAT 5/16"	
NOT SHOWN	85024	8	NUT - NYLOCK 5/16"	
NOT SHOWN	620477	2	BRACKET - DEF REACTOR HOSES	
NOT SHOWN	12668	1	BRACKET - FLAT DEF REACTOR HOSES	
<b>REV</b>	<b>DATE</b>	<b>BY</b>		<b>SHEET</b>
J	2/14/2019	MAL		2 OF 2