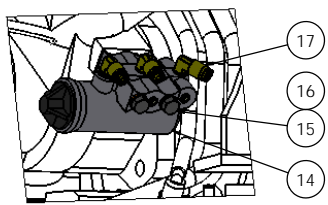


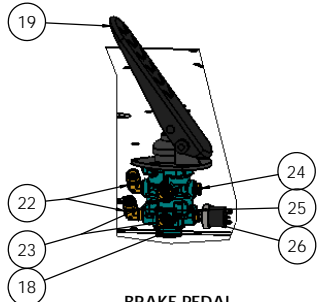
AIR SYSTEM, 2017-III DOT-121-3 TANK
 PAGE 1 GENERAL OVERVIEW
 PAGE 2-4 DETAIL VIEWS
 PAGE 5-8 PARTSLIST

DIMENSIONS ARE IN INCHES		NAME	DATE	 WCO MANUFACTURING 840 CYPRESS RIDGE DR. RIDGELAND, NC 27958 (843) 717-2226
TOLERANCES:	DRAMAN	MAL	1/19/2018	
DECIMAL:	± .006			TITLE: AIR SYSTEM
FRACTIONAL:	± .005			
ANGULAR:	± 0.1°			THE SUBJECT MATTER SHOWN AND DESCRIBED IN THE DRAWING AND ANY OTHER INFORMATION CONTAINED IN THIS DRAWING IS THE PROPERTY OF WCO. ALL RIGHTS TO ANY PATENTS, TRADEMARKS, OR COPYRIGHTS ARE RESERVED TO WCO. WCO SHALL NOT BE RESPONSIBLE FOR ANY DAMAGE TO ANY PROPERTY OR PERSONS ARISING FROM THE USE OF THIS DRAWING.
SCALE:	AS SHOWN			
DATE:	N/A			SIZE DWG. NO. 721670-D1 REV D
ISSUE:	N/A			SCALE: 1:32 [WEIGHT: 7830.20] SHEET 1 OF 4
REVISION:	N/A			
SEE NOTE				
REVISION:	N/A			

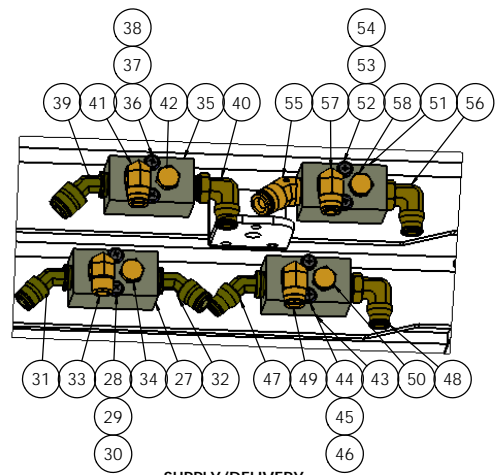
D 721670-D1



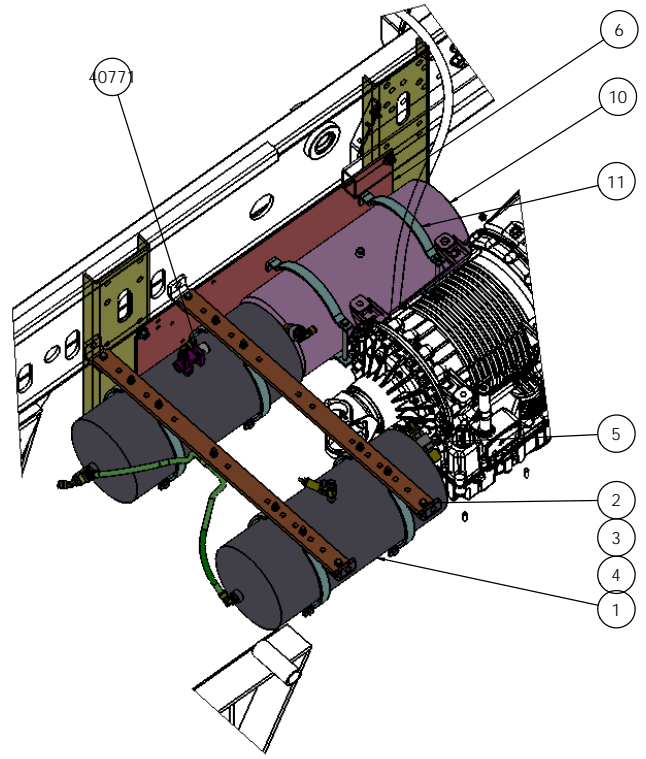
GOVERNOR D-2



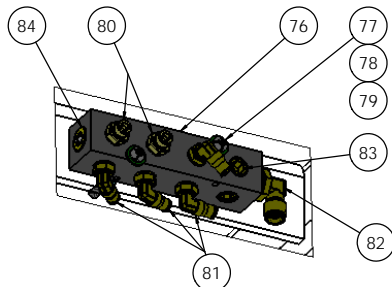
BRAKE PEDAL



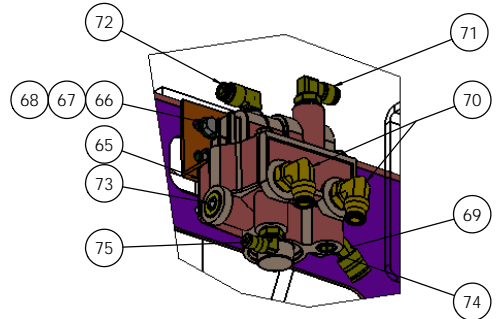
SUPPLY/DELIVERY MANIFOLDS



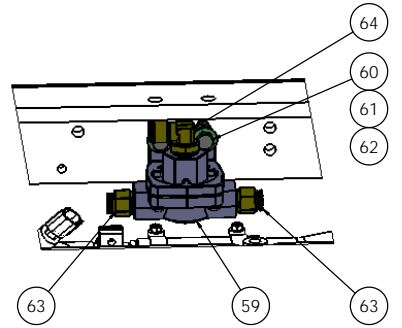
AIR TANK ASSEMBLY



ACCESSORY AIR MANIFOLD ASSEMBLY

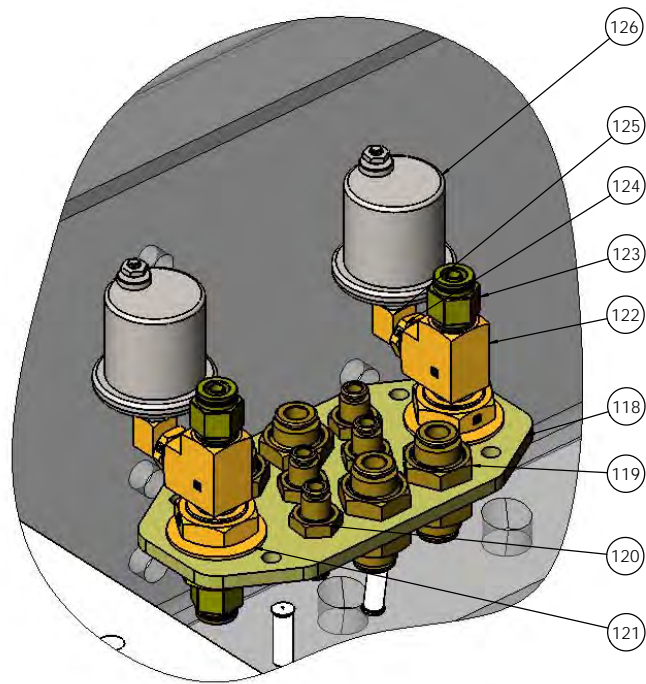


BOBTAIL PROPORTIONING VALVE BP-R1 W/BACKET

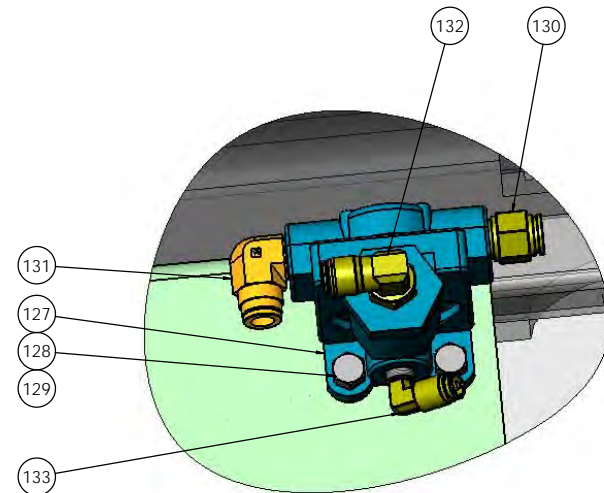


VALVE-BRAKE QUICK RELEASE QR-1

DRAWING		DATE	TICCI/TERMINAL SERVICE 840 CYPRUS ROAD DR. ROCKLAND, NC 27854 (843) 717-2226
NO.	REV.	DATE	
721670-D1	1	1/18/2018	
REVISIONS: 1. 8.000 2. 8.000 3. 8.000 4. 8.000			TITLE: AIR SYSTEM
APPROVED: FUNCTIONAL: # 102			
DIMENSIONS: ALL IN INCHES TOLERANCES: FINISH: SURFACE: THREADS: UNLESS OTHERWISE SPECIFIED BY THIS DRAWING, ALL DIMENSIONS SHALL BE TO THE CENTERLINE UNLESS OTHERWISE SPECIFIED. ALL DIMENSIONS SHALL BE TO THE CENTERLINE UNLESS OTHERWISE SPECIFIED. ALL DIMENSIONS SHALL BE TO THE CENTERLINE UNLESS OTHERWISE SPECIFIED. ALL DIMENSIONS SHALL BE TO THE CENTERLINE UNLESS OTHERWISE SPECIFIED.		SIZE: D DWG. NO.: 721670-D1 REV: 1	SCALE: 1:32 WEIGHT: 7830.22 SHEET 2 OF 4



BULKHEAD PLATE ASSEMBLY



VALVE QUICK RELEASE QR-1C

REVISIONS ARE IN INCHES	DATE	11/24/2017	TICO TERMINAL SERVICE 46 CYPRUS ROAD DR. ROCKLAND, NC 27854 (843) 717-2226
DESIGNED BY	DATE	11/24/2017	
BY	DATE		TITLE
CHECKED BY	DATE		
APPROVED BY	DATE		SCALE
FUNCTIONAL	DATE		
REVISIONS	DATE		WEIGHT
REVISIONS	DATE		REV
SEE NOTE			
SCALE	1:32		
WEIGHT	6266.74		
REV			

TICO PRO-SPOTTER				
AIR SYSTEM, 2017-III, DOT-121, 3 TANKS				721670
ITEM	PART #	QTY/M	DESCRIPTION	
35	122130	1	MANIFOLD-SUPPLY FRONT, 2 x 1/2" NPT, 2 x 3/8" NPT	
36	80323	2	SCREW, PAN HD, #10-32 x 2 Lg, SS	
37	80232	4	WASHER, FLAT, SAE, #10, SS	
38	800424	2	NUT, #10-32, NYLOK, SS	
39	40830	1	FITTING, ELBOW, 45°, BRASS, 5/8 TUBE X 1/2 NPT	
40	42265	1	FITTING, ELBOW, 90°, BRASS, 1/2 TUBE X 1/2 NPT	
41	40823	1	FITTING, ELBOW, 90°, BRASS, 3/8 TUBE X 3/8 NPT	
42	11041	1	FITTING, PLUG, 3/8 NPT	
43	122130	1	MANIFOLD-DELIVERY REAR, 2 x 1/2" NPT, 2 x 3/8" NPT	
44	80323	2	SCREW, PAN HD, #10-32 x 2 Lg, SS	
45	80232	4	WASHER, FLAT, SAE, #10, SS	
46	800424	2	NUT, #10-32, NYLOK, SS	
47	42119	1	FITTING, ELBOW, 45°, BRASS, 3/8 TUBE X 1/2 NPT	
48	42265	1	FITTING, ELBOW, 90°, BRASS, 1/2 TUBE X 1/2 NPT	
49	40823	1	FITTING, ELBOW, 90°, BRASS, 3/8 TUBE X 3/8 NPT	
50	11041	1	FITTING, PLUG, 3/8 NPT	
51	122130	1	MANIFOLD-DELIVERY FRONT, 2 x 1/2" NPT, 2 x 3/8" NPT	
52	80323	2	SCREW, PAN HD, #10-32 x 2 Lg, SS	
53	80232	4	WASHER, FLAT, SAE, #10, SS	
54	800424	2	NUT, #10-32, NYLOK, SS	
55	40822	1	FITTING, ELBOW, 45°, BRASS, 1/2 TUBE X 1/2 NPT	
56	42265	1	FITTING, ELBOW, 90°, BRASS, 1/2 TUBE X 1/2 NPT	
57	40823	1	FITTING, ELBOW, 90°, BRASS, 3/8 TUBE X 3/8 NPT	
58	11041	1	FITTING, PLUG, 3/8 NPT	
59	40550	1	VALVE-BRAKE QUICK RELEASE QR-1	
60	81546	2	CAPSCREW-5/16-18NC X 1 1/4LG	
61	85101	2	WASHER, FLAT5/16	
62	85024	2	LOCKNUT, 5/16-18 NYLOK	
63	40864	2	FITTING, STR BRASS 3/8 TUBE, 3/8NPT	
64	42064	1	FITTING, ELBOW 90°, BRASS 1/2 TUBE, 1/2NPT	
65	40572	1	VALVE-BOBTAIL/PROPORTIONING BP-R1 W/BACKET	
66	81535	2	BOLT-5/16 X 1	
67	85090	4	WASHER-5/16	
68	85035	2	NUT-5/16	
69	40822	1	FITTING, ELBOW 45°, BRASS, 1/2 TUBE X 1/2 NPT	
70	42265	2	FITTING, ELBOW 90°, BRASS 1/2 TUBE to 1/2 NPT, SWIVEL	
71	42063	1	FITTING, ELBOW 90°, BRASS, 3/8 TUBE to 1/4 NPT	
72	42112	1	FITTING, ELBOW 90°, BRASS, 3/8 TUBE to 1/8 NPT	
73	80163	1	FITTING, PLUG ALLEN, BRASS 1/2" NPT	
REV	DATE	BY		SHEET
D	4/5/2018	MAL		2 of 4

TICO PRO-SPOTTER				
AIR SYSTEM, 2017-III, DOT-121, 3 TANKS				721670
ITEM	PART #	QTY/M	DESCRIPTION	
74	40841	1	FITTING, PLUG ALLEN, BRASS 3/8" NPT	
75	40840	1	FITTING, ELBOW 90°, BRASS, 3/8 TUBE to 1/8 NPT	
76	10949	1	MANIFOLD-ACCESSORY AIR	
77	82459	2	CAPSCEW-5/16-18 X 3 LG HEX HD	
78	80232	2	WASHER-5/16	
79	80209	2	LOCKNUT-5/16	
80	40833	2	FITTING, ADAPTER STR, BRASS, 1/4" TUBE X 3/8" NPT	
81	40887	4	FITTING, ELBOW 90°, BRASS, 1/4" TUBE X 3/8" NPT, SWIVEL	
82	42064	1	FITTING, ELBOW 90°, BRASS, 1/2" TUBE X 1/2" NPT, SWIVEL	
83	40841	2	PLUG, HEX SOCKET HD 3/8" NPT	
84	80163	1	PLUG, HEX SOCKET HD 1/2" NPT	
85	40635	1	VALVE-TRACTOR PROTECTION TP-3DC	
86	82459	2	BOLT, 5/16-18 X 3 LG	
87	85090	4	WASHER, FLAT 5/16	
88	85024	2	LOCKNUT, 5/16-18 NYLOK	
89	90078	1	SWITCH-PRESSURE, STOP LIGHT, BENDIX SL-5	
90	42208	1	FITTING, STREET 90°, BRASS, 3/8 X 1/4	
91	40823	1	FITTING, ELBOW 90°, BRASS, 3/8 TUBE X 3/8NPT	
92	42063	1	FITTING, ELBOW 90°, BRASS, 3/8 TUBE X 1/4NPT	
93	40799	2	FITTING, CLOSE NIPPLE BRASS, 1/2 NPT	
94	40899	2	FITTING, STREET ELBOW 45° BRASS, 1/2 NPT	
95	40858	1	PLUG, 1/8 NPT, ALLEN HD	
96	42240	1	ELBOW 90 DEG 3/8 FEM PIPE TO 3/8 PUSH TO CONNECT	
97	40906	1	NIPPLE, BRASS HEX-3/8	
98	90295	1	VALVE, AIR REGULATOR	
NOT SHOWN	82370	2	BOLT, HEX 1/4-20 X 1 Lg	
NOT SHOWN	85111	4	WASHER, FLAT 3/8	
NOT SHOWN	85034	2	LOCKNUT, 3/8-16	
99	40829	2	FITTING, BULKHD, BRASS, 1/4 NPT LONG	
100	40827	4	FITTING, BULKHD, BRASS, 3/8 NPT	
101	42088	2	FITTING, BULKHD, BRASS, 1/2 NPT	
102	40823	8	FITTING, ELBOW 90°, BRASS, 3/8 TUBE X 3/8 NPT	
103	40848	1	FITTING, STREET TEE, BRASS, 1/2 NPT	
104	40878	2	FITTING, ELBOW 90°, BRASS, 5/8 TUBE X 1/2 NPT	
105	40817	2	FITTING, STREE ELBOW 90°, BRASS, 1/2 NPT	
106	62253	1	BRACKET- HOSE GUIDE	
REV	DATE	BY		SHEET
D	4/5/2018	MAL		3 of 4

TICO PRO-SPOTTER				
AIR SYSTEM, 2017-III, DOT-121, 3 TANKS				721670
ITEM	PART #	QTY/M	DESCRIPTION	
107	91966	1	VALVE-INVERSION TR-3	
108	40885	1	FITTING, ELBOW 90° BRASS, 3/8 TUBE X 1/8 NPT, SWIVEL	
109	40861	2	FITTING, ELBOW 90° BRASS, 1/4 TUBE X 1/4 NP, SWIVEL	
110	42273	1	FITTING - UNION TEE, BRASS, 3/8" TUBE	
111	50038-1	1	GLADHAND - BLUE	
112	50039-1	1	GLADHAND - RED	
113	50038-1	2	GLADHAND - BLUE	
114	50039-1	2	GLADHAND - RED	
115	50303	2	HOSE ASSY - TRAILER AIR, 3/8 X 15 FT	
116	10356	2	SPRING	
117	920285	1	CLAMP, TRAILER HOSE 3 CAVITY	
NOT SHOWN	40817	2	FITTING, STREET ELBOW 90° BRASS, 1/2 NPT	
NOT SHOWN	40687	2	HOSE ASSY -FRONT BRAKE CHAMBER	
NOT SHOWN	62253	1	BRACKET - HOSE GUIDE	
NOT SHOWN	80405	2	EYEBOLT, 3/8 -16, 1 1/4 LG	
NOT SHOWN	85091	4	WASHER, 3/8 FLAT	
NOT SHOWN	85014	2	NUT, 3/8 - 16, NYLOCK	
NOT SHOWN	40771	1	VALVE-PRESSURE PROTECTION 70 PSI	
118	122136	1	BULKHEAD PLATE FOR AIR FITTINGS, 2017-II	
119	420319	4	FITTING, BULKHD, BRASS, 3/8 TUBE, PUSH TO CONNECT	
120	420318	4	FITTING, BULKHD, BRASS, 1/4 TUBE, PUSH TO CONNECT	
121	40827	2	FITTING, BULKHD, BRASS, 3/8 NPT	
122	40821	2	FITTING, STREET TEE, BRASS, 3/8 NPT	
123	40864	4	FITTING, STR, BRASS, 3/8 TUBE X 3/8 NPT	
124	42260	2	FITTING, REDUCER, 3/8 NPT X 1/8 NPT	
125	420385	2	FITTING, STREET ELBOW 90°, BRASS, 1/8 NPT	
126	910607	2	SENDER - PRESSURE, 150 PSI, 23-240 OHMS, 2-STUDS	
127	10592	1	VALVE-BRAKE QUICK RELEASE QR-1C	
128	81546	2	CAPSCREW-5/16-18NC X 1 1/4LG	
129	85024	2	LOCKNUT-5/16	
130	40864	1	FITTING-STR BRASS 3/8 TUBE X 3/8 NPT	
131	40823	1	FITTING-90° BRASS 3/8 TUBE X 3/8 NPT	
132	42063	1	FITTING-90° BRASS 3/8 TUBE X 1/4 NPT	
133	40857	1	FITTING-90° BRASS 1/4 TUBE X 1/4 NPT	
REV	DATE	BY		SHEET
D	4/5/2018	MAL		4 of 4