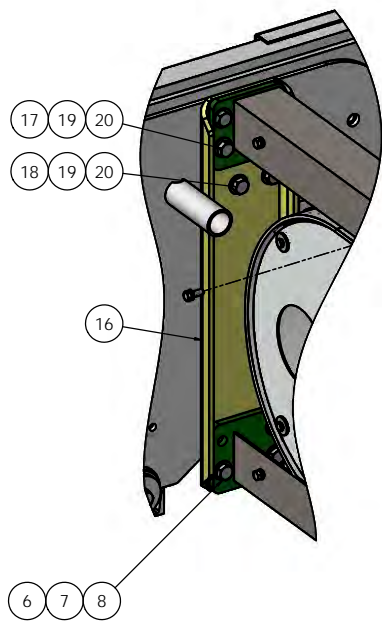
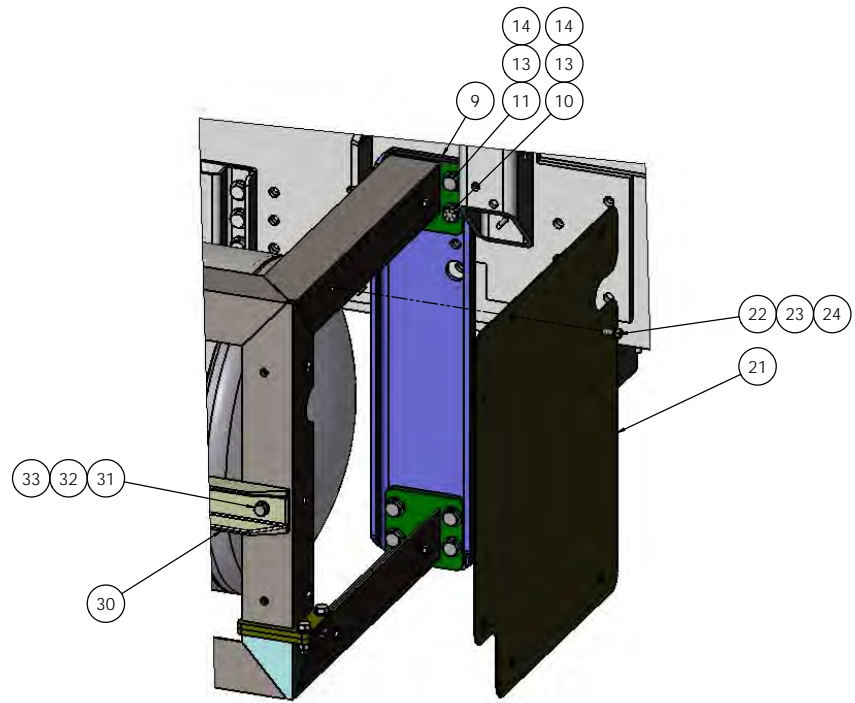


DIMENSIONS ARE IN INCHES		NAME	DATE	TICO MANUFACTURING 86 CYPRESS RIDGE DR. ROCKLAND, NC 29086 (843) 717-2226
DESIGNED BY	8/8/06	DRAWN	MAL	
CHECKED BY	K.K. & D.S.	CHECKED		
APPROVED BY	K.K. & D.S.	APPROVED		
ANGULAR	± 0.1°	DO NOT SCALE DRAWING		
FRACTIONAL	± 1/32"	THE SUBJECT MATTER SHOWN AND DESCRIBED IN THE DRAWING AND ANY OTHER INFORMATION CONTAINED HEREIN IS THE PROPERTY OF TICO AND IS TO BE USED ONLY FOR THE PURPOSES SPECIFIED HEREIN. ALL RIGHTS TO ANY PATENTS, TRADEMARKS, OR OTHER INTELLECTUAL PROPERTY ARE RESERVED TO TICO TECHNOLOGY, INC.		
SCALE	N/A	SIZE	DWG. NO.	REV
SEE NOTE		D	721664-D1	
REVISION	N/A	SCALE	1:24 [WEIGHT: 4056.57]	SHEET 1 OF 2

D 721664-D1



**CNG GUARD  
MAIN MOUNT LH**



**CNG GUARD  
MAIN MOUNT RH**

REFERENCES ARE IN INCHES	ISSUE	DATE	 <small>TICCI/TERMINAL SERVICE          66 CYPRUS ROAD DR.          ROCKLAND, SC 29558          (843) 317-2226</small>
<small>DESIGNED BY: J. B. BIR          CHECKED BY: J. B. BIR          DATE: 10/12/2017</small>	<small>ISSUE</small>	<small>DATE</small>	
<small>APPROVED BY: J. B. BIR          FUNCTIONAL: # 102</small>	<small>APPROVED BY</small>	<small>DATE</small>	<small>TITLE: FUEL TANK GUARDS &amp; COVERS</small>
<small>REVISIONS: GEOMETRIC DIMENSIONS ARE TO BE MAINTAINED UNLESS OTHERWISE SPECIFIED IN A NOTE.</small>	<small>REVISIONS: THE SUBTRACTED DIMENSION AND DIMENSIONS TO BE MAINTAINED UNLESS OTHERWISE SPECIFIED IN A NOTE.</small>	<small>REVISIONS: THE SUBTRACTED DIMENSION AND DIMENSIONS TO BE MAINTAINED UNLESS OTHERWISE SPECIFIED IN A NOTE.</small>	<small>SIZE: D</small>
<small>SEE NOTE</small>	<small>SCALE: 1:24</small>	<small>WEIGHT: 4056.5</small>	<small>REV</small>
<small>DATE</small>	<small>SCALE</small>	<small>WEIGHT</small>	<small>SHEET 2 OF 2</small>

D 721664-D1

TICO PRO-SPOTTER			
FUEL TANK GUARDS & COVERS, PSI-LNG			721664
ITEM	PART #	QTY/M	DESCRIPTION
	721664-D1	REF	FUEL TANK GUARDS & COVERS, PSI-LNG
1	121613	1	ASSEMBLY, CNG TOP GUARD WELDMENT
2	82407	8	BOLT, HEX HEAD, 1/2-13 X 1-3/4 LONG
3	85093	16	WASHER, FLAT, 1/2
4	85027	8	LOCKNUT, NYLON, 1/2-13
5	121622	1	ASSEMBLY, CNG LOWER GUARD WELDMENT
6	82419	7	BOLT, HEX HEAD, 5/8-11 X 2 LONG
7	85094	14	WASHER, FLAT, 5/8
8	85028	7	LOCKNUT, NYLON, 5/8-11
9	121620	1	ANGLE, CNG GUARD MAIN MOUNT RH
NOT SHOWN	122482	1	PLATE, CNG GUARD
10	82606	1	BOLT, HEX HEAD, 5/8-11 X 6-1/2 LONG (TORQUE ARM BOLT)
11	82474	3	BOLT, HEX HEAD, 5/8-11 X 3-1/4 LONG
12	82452	1	BOLT, HEX HEAD, 5/8-11 X 2-3/4 LONG
13	85094	10	WASHER, FLAT, 5/8
14	85028	5	LOCKNUT, NYLON, 5/8-11
16	121621	1	ANGLE, CNG GUARD MAIN MOUNT LH
NOT SHOWN	122482	1	PLATE, CNG GUARD
17	82452	4	BOLT, HEX HEAD, 5/8-11 X 2-3/4 LONG
18	82441	2	BOLT, HEX HEAD, 5/8-11 X 2-1/2 LONG
19	85094	16	WASHER, FLAT, 5/8
20	85028	8	LOCKNUT, NYLON, 5/8-11
21	122320	1	COVER, LNG TANK GUARD, FRONT, PAINTED BLACK
22	82372	6	BOLT, HEX HEAD, 3/8-16 X 1 LONG
23	85135	6	LOCKWASHER, 3/8" HELICAL SPRING
24	85091	6	WASHER, FLAT, 3/8
25	122322	1	COVER, LNG TANK GUARD, REAR, PAINTED BLACK
26	82372	6	BOLT, 3/8"-16 x 1" Lg HEX GRD 8 *BOTTOM 4 BOLTS
27	85135	6	LOCKWASHER, 3/8" HELICAL SPRING
28	85091	6	WASHER, 3/8" HRDN
29	122381	1	CHANNEL-SIDE
30	82385	2	BOLT, 1/2-13NC x 1 1/4" Lg HEX GRD
31	85093	4	WASHER, 1/2"
32	85027	2	NUT-1/2" NYLOK
<b>REV</b>	<b>DATE</b>	<b>BY</b>	<b>SHEET</b>
D	12/12/2017	MAL	1 OF 1