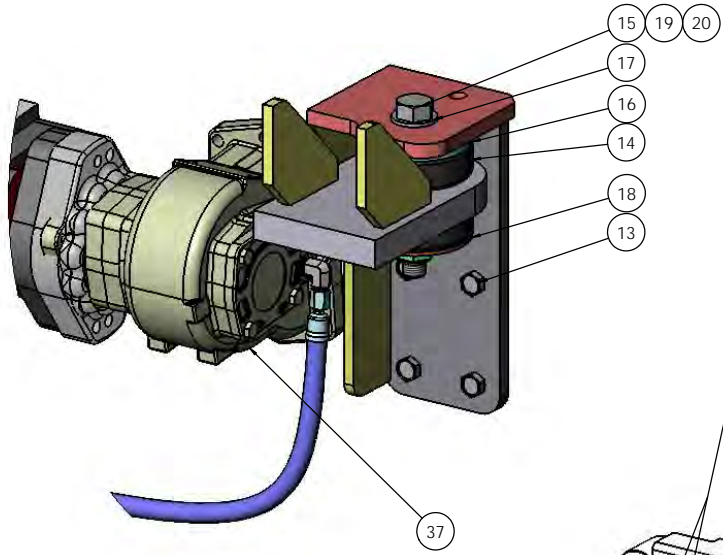


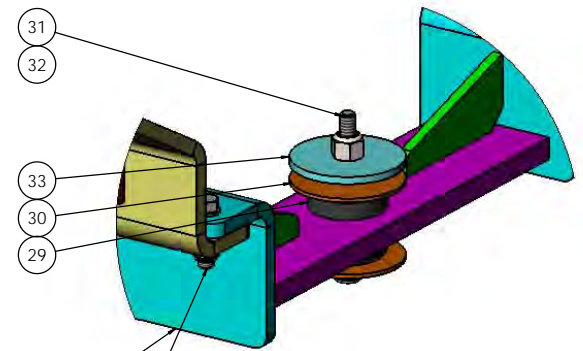
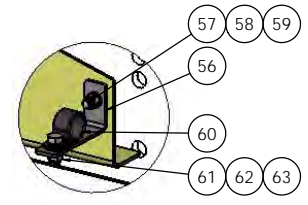
ENGINE & TRANSMISSION
 PAGE 1 GENERAL OVERVIEW
 PAGE 2 DETAILED VIEWS
 PAGE 3-5 PART LISTS

DIMENSIONS ARE IN INCHES		NAME	DATE
TOLERANCES UNLESS SPECIFIED:	DRAWN	MAL	11/02/2017
DECIMALS .005	CHECKED		
FRACTIONS 1/32	APPROVED		
ANGULAR ±0.1°	DOT NET SCALE DRAWING		
RADIALS ±0.002	THE SUBJECT MATTER SHOWN AND DESCRIBED IN THE DRAWING AND ANY OTHER INFORMATION CONTAINED HEREIN IS THE PROPERTY OF WECO AND IS TO BE USED FOR THE PURPOSES SPECIFIED ONLY. ALL RIGHTS TO ANY PATENTS, TRADEMARKS, SERVICE MARKS, OR OTHER INTELLECTUAL PROPERTY RIGHTS ARE RESERVED TO WECO TECHNOLOGY, INC.		
UNLESS NOTED OTHERWISE	TITLE: ENGINE & TRANSMISSION		
SIZE	DWG. NO.	REV	
D	721663-A1		
SCALE: 1:32 [WEIGHT: 4556.90] SHEET 1 OF 2			

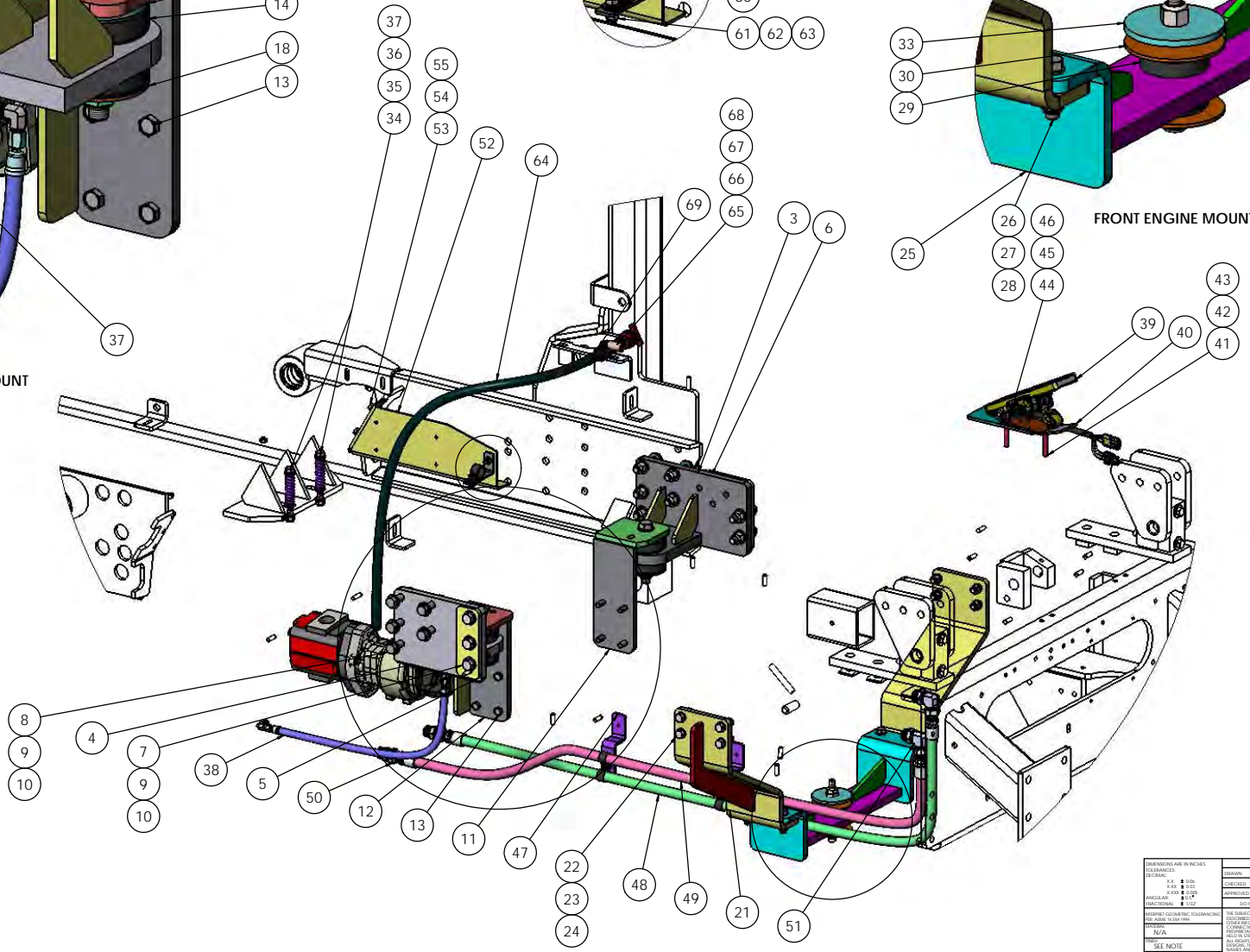
D 721663-A1



REAR ENGINE MOUNT



FRONT ENGINE MOUNT



APPROVED: AND IN CHARGE	DATE	11/26/2017	TICCI/TERMINAL SERVICE
DESIGNED BY: [Signature]	ISSUED		AS CYPRUS BOULDER CO.
CHECKED BY: [Signature]	REVISIONS		ROCKLAND, NC 27854
DATE: 11/26/2017			(843) 717-2226
PROJECT SCALE DRAWING	TITLE: ENGINE & TRANSMISSION		
REVISIONS: 1.0	THE DRAWING PARTS SHOWN AND		
2.0	DESCRIBED IN THE DRAWING ARE NOT		
3.0	TO BE USED FOR REPAIR OR		
4.0	REPAIR OR REPAIRS TO BE MADE		
5.0	UNLESS OTHERWISE SPECIFIED		
6.0	ALL DIMENSIONS ARE IN INCHES		
7.0	UNLESS OTHERWISE SPECIFIED		
8.0	ALL DIMENSIONS ARE IN MILLIMETERS		
9.0	UNLESS OTHERWISE SPECIFIED		
10.0	ALL DIMENSIONS ARE IN MILLIMETERS		
11.0	UNLESS OTHERWISE SPECIFIED		
12.0	ALL DIMENSIONS ARE IN MILLIMETERS		
13.0	UNLESS OTHERWISE SPECIFIED		
14.0	ALL DIMENSIONS ARE IN MILLIMETERS		
15.0	UNLESS OTHERWISE SPECIFIED		
16.0	ALL DIMENSIONS ARE IN MILLIMETERS		
17.0	UNLESS OTHERWISE SPECIFIED		
18.0	ALL DIMENSIONS ARE IN MILLIMETERS		
19.0	UNLESS OTHERWISE SPECIFIED		
20.0	ALL DIMENSIONS ARE IN MILLIMETERS		
21.0	UNLESS OTHERWISE SPECIFIED		
22.0	ALL DIMENSIONS ARE IN MILLIMETERS		
23.0	UNLESS OTHERWISE SPECIFIED		
24.0	ALL DIMENSIONS ARE IN MILLIMETERS		
25.0	UNLESS OTHERWISE SPECIFIED		
26.0	ALL DIMENSIONS ARE IN MILLIMETERS		
27.0	UNLESS OTHERWISE SPECIFIED		
28.0	ALL DIMENSIONS ARE IN MILLIMETERS		
29.0	UNLESS OTHERWISE SPECIFIED		
30.0	ALL DIMENSIONS ARE IN MILLIMETERS		
31.0	UNLESS OTHERWISE SPECIFIED		
32.0	ALL DIMENSIONS ARE IN MILLIMETERS		
33.0	UNLESS OTHERWISE SPECIFIED		
34.0	ALL DIMENSIONS ARE IN MILLIMETERS		
35.0	UNLESS OTHERWISE SPECIFIED		
36.0	ALL DIMENSIONS ARE IN MILLIMETERS		
37.0	UNLESS OTHERWISE SPECIFIED		
38.0	ALL DIMENSIONS ARE IN MILLIMETERS		
39.0	UNLESS OTHERWISE SPECIFIED		
40.0	ALL DIMENSIONS ARE IN MILLIMETERS		
41.0	UNLESS OTHERWISE SPECIFIED		
42.0	ALL DIMENSIONS ARE IN MILLIMETERS		
43.0	UNLESS OTHERWISE SPECIFIED		
44.0	ALL DIMENSIONS ARE IN MILLIMETERS		
45.0	UNLESS OTHERWISE SPECIFIED		
46.0	ALL DIMENSIONS ARE IN MILLIMETERS		
47.0	UNLESS OTHERWISE SPECIFIED		
48.0	ALL DIMENSIONS ARE IN MILLIMETERS		
49.0	UNLESS OTHERWISE SPECIFIED		
50.0	ALL DIMENSIONS ARE IN MILLIMETERS		
51.0	UNLESS OTHERWISE SPECIFIED		
52.0	ALL DIMENSIONS ARE IN MILLIMETERS		
53.0	UNLESS OTHERWISE SPECIFIED		
54.0	ALL DIMENSIONS ARE IN MILLIMETERS		
55.0	UNLESS OTHERWISE SPECIFIED		
56.0	ALL DIMENSIONS ARE IN MILLIMETERS		
57.0	UNLESS OTHERWISE SPECIFIED		
58.0	ALL DIMENSIONS ARE IN MILLIMETERS		
59.0	UNLESS OTHERWISE SPECIFIED		
60.0	ALL DIMENSIONS ARE IN MILLIMETERS		
61.0	UNLESS OTHERWISE SPECIFIED		
62.0	ALL DIMENSIONS ARE IN MILLIMETERS		
63.0	UNLESS OTHERWISE SPECIFIED		
64.0	ALL DIMENSIONS ARE IN MILLIMETERS		
65.0	UNLESS OTHERWISE SPECIFIED		
66.0	ALL DIMENSIONS ARE IN MILLIMETERS		
67.0	UNLESS OTHERWISE SPECIFIED		
68.0	ALL DIMENSIONS ARE IN MILLIMETERS		
69.0	UNLESS OTHERWISE SPECIFIED		
70.0	ALL DIMENSIONS ARE IN MILLIMETERS		
71.0	UNLESS OTHERWISE SPECIFIED		
72.0	ALL DIMENSIONS ARE IN MILLIMETERS		
73.0	UNLESS OTHERWISE SPECIFIED		
74.0	ALL DIMENSIONS ARE IN MILLIMETERS		
75.0	UNLESS OTHERWISE SPECIFIED		
76.0	ALL DIMENSIONS ARE IN MILLIMETERS		
77.0	UNLESS OTHERWISE SPECIFIED		
78.0	ALL DIMENSIONS ARE IN MILLIMETERS		
79.0	UNLESS OTHERWISE SPECIFIED		
80.0	ALL DIMENSIONS ARE IN MILLIMETERS		
81.0	UNLESS OTHERWISE SPECIFIED		
82.0	ALL DIMENSIONS ARE IN MILLIMETERS		
83.0	UNLESS OTHERWISE SPECIFIED		
84.0	ALL DIMENSIONS ARE IN MILLIMETERS		
85.0	UNLESS OTHERWISE SPECIFIED		
86.0	ALL DIMENSIONS ARE IN MILLIMETERS		
87.0	UNLESS OTHERWISE SPECIFIED		
88.0	ALL DIMENSIONS ARE IN MILLIMETERS		
89.0	UNLESS OTHERWISE SPECIFIED		
90.0	ALL DIMENSIONS ARE IN MILLIMETERS		

D 721663-A1

TICO PRO-SPOTTER				
ENGINE & TRANSMISSION, PSI 8.8L LNG, 230@2200/RDS300				721663
ITEM	PART #	QTY/M	DESCRIPTION	
29	620705	1	ISOLATOR, FRONT ENGINE, PSI 8.8L	
30	60740-1	2	SPACER, REAR MOTOR MOUNT 13/16IDX3.75OD X 10GA THK	
31	82529	1	BOLT, 5/8-11 X 4-1/2" LG	
32	85028	1	LOCKNUT, NYLOCK, 5/8-11	
33	10971	1	SPACER FRONT MOTOR MOUNT QSB-III/ISB-07	
34	40448	2	SPRING, COMPRESSION MUD FLAP MOUNT 430#/INCH	
35	82550	2	BOLT, HEX 1/2-13 X 5 LG	
36	85093	6	WASHER, FLAT, 1/2	
37	85027	2	LOCKNUT, NYLOCK, 1/2-13	
37	61789	1	PTO-HYD-CONSTANT MESH-WET SPLINE-3000RDS-0.87:1 RATIO	
NOT SHOWN	60943	REF	PUMP-HYD, 16 GPM @ 2100 RPM, CW	
38	41037	1	HOSE TRANS TO PTO	
39	61640	1	PEDAL ACCELERATOR - ELECTRONIC ISB	
40	90632	1	MOUNTING PLATE ELECTRIC THROTTLE	
41	83318	1	SC HC SCREW 3/8-16 x 3 1/2" Lg	
42	85113	2	WASHER, FLAT 3/8	
43	85036	2	LOCKNUT, 3/8-16	
44	85090	2	WASHER, FLAT 5/16	
45	85035	2	LOCKNUT 5/16	
46	83340	1	SC HC SCREW 3/8-16 x 4" Lg	
NOT SHOWN	620532	1	ADAPTATION KIT-PSI 8.8/RDS3000 CRANKSHAFT ADAPTER	
NOT SHOWN	620533	1	ADAPTATION KIT-PSI 8.8/RDS3000 ADAPTER & FLEXPLATES	
NOT SHOWN	800446	6	BOLT-PSI CRANKSHAFT, 12PT-7/16-20UNF	
			BLUE LOCKTITE & 70 FT LBS	
NOT SHOWN	60799-11	12	BOLT-RING GEAR & FLEXPLATES	
NOT SHOWN	60799-12	1	BOLT & WASHER KIT- TRANSMISSION MOUNTING	
			REF: ALLISON AS04-525 DWG	
NOT SHOWN	40467	1	FITTING, TEE, STREET, 1/8" NPT	
47	60956	2	BRACKET TRANS COOLING LINE	
48	41240	1	HOSE ASSY, #12 X 93" LG, TRANS to COOLER	
49	41026	1	HOSE, ASSY, #12X 86" LG, TRANS to COOLER	
50	40471	2	FITTING, ADAPTER STR, 3/4 O-RING X # 12 JIC	
51	10624	2	FITTING, ADAPTER 90°, 3/4 O-RING X # 12 JIC	
REV	DATE	BY		SHEET
A	11/3/2017	MAL		2 OF

