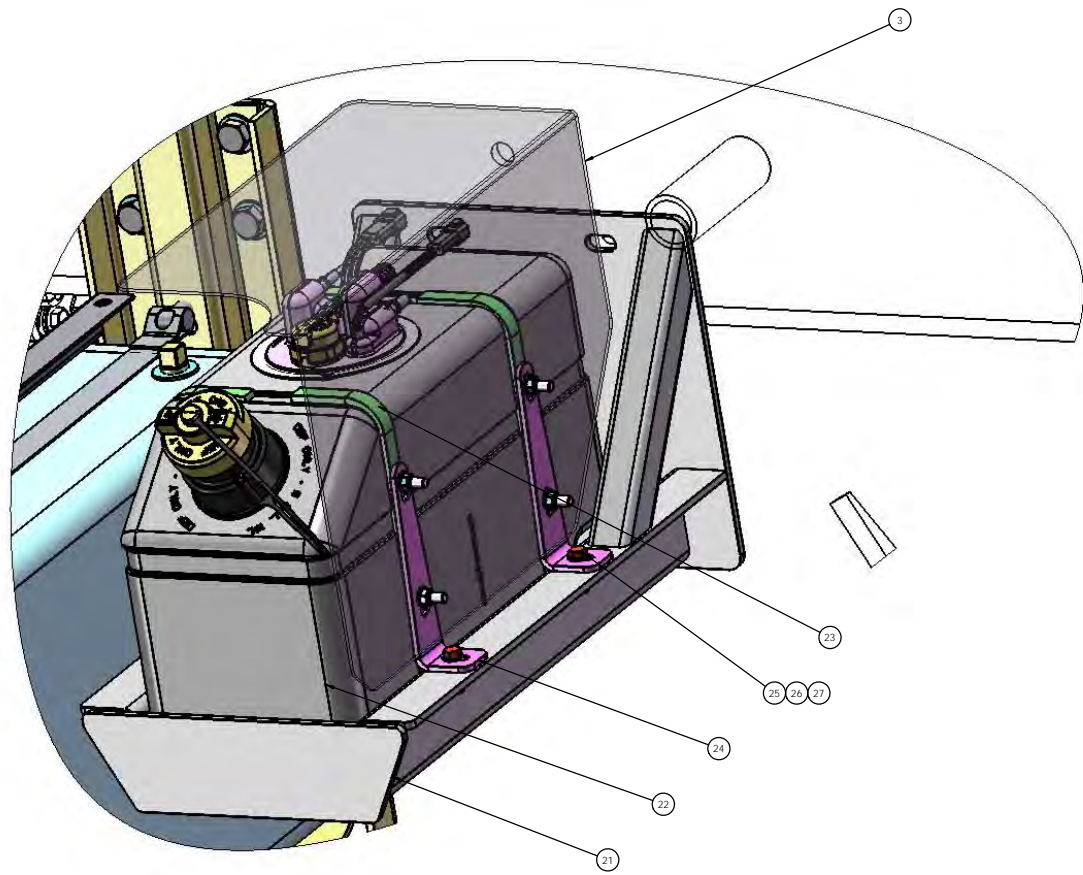


FUEL TANK & SYSTEM
 PAGE 1 OVERVIEW
 PAGE 2 TANK & FILTER VIEWS
 PAGE 3 DEF TANK VIEW
 PAGE 4-5 PARTS LIST

DIMENSIONS ARE IN INCHES		NAME	DATE	WCO MANUFACTURING 46 CYPRESS RIDGE DR. ROCKLAND, NC 27854 (843) 717-2226
DRAWN	MAL	8/1/2017		
TOLERANCES UNLESS SPECIFIED:		CHECKED		TITLE: FUEL TANK & SYSTEM SIZE: DWG. NO. 721643-C1 REV
FRACTIONAL	1/16"	APPROVED		
DECIMAL	0.005"	DOTTED SCALE DRAWING THE SUBJECT MATTER SHOWN AND DESCRIBED IN THE DRAWING AND ANY OTHER INFORMATION CONTAINED HEREIN IS THE PROPERTY OF WCO AND IS TO BE KEPT CONFIDENTIAL TO THE BEST OF YOUR ABILITY. ALL RIGHTS TO ANY PATENTS, TRADEMARKS, AND COPYRIGHTS ARE RESERVED TO WCO MANUFACTURING, INC.		
ANGULAR	0.1°	SCALE:	1:32	WEIGHT: 6835.65
FRACTIONAL	1/16"	REV	1	SHEET 1 OF 3

D 721643-C1



REFERENCES ARE IN INCHES	SCALE	DATE	TICO/TERMINAL SERVICE
DIMENSIONS	AS SHOWN	8/12/07	44 CYPRUS ROAD DR.
SYMBOLS			ROCKLAND, NC 27854
XXX & 0.05			(843) 717-2226
XXX & 0.10			
XXX & 0.15			
XXX & 0.20			
XXX & 0.25			
XXX & 0.30			
XXX & 0.35			
XXX & 0.40			
XXX & 0.45			
XXX & 0.50			
XXX & 0.55			
XXX & 0.60			
XXX & 0.65			
XXX & 0.70			
XXX & 0.75			
XXX & 0.80			
XXX & 0.85			
XXX & 0.90			
XXX & 0.95			
XXX & 1.00			
XXX & 1.05			
XXX & 1.10			
XXX & 1.15			
XXX & 1.20			
XXX & 1.25			
XXX & 1.30			
XXX & 1.35			
XXX & 1.40			
XXX & 1.45			
XXX & 1.50			
XXX & 1.55			
XXX & 1.60			
XXX & 1.65			
XXX & 1.70			
XXX & 1.75			
XXX & 1.80			
XXX & 1.85			
XXX & 1.90			
XXX & 1.95			
XXX & 2.00			
XXX & 2.05			
XXX & 2.10			
XXX & 2.15			
XXX & 2.20			
XXX & 2.25			
XXX & 2.30			
XXX & 2.35			
XXX & 2.40			
XXX & 2.45			
XXX & 2.50			
XXX & 2.55			
XXX & 2.60			
XXX & 2.65			
XXX & 2.70			
XXX & 2.75			
XXX & 2.80			
XXX & 2.85			
XXX & 2.90			
XXX & 2.95			
XXX & 3.00			
XXX & 3.05			
XXX & 3.10			
XXX & 3.15			
XXX & 3.20			
XXX & 3.25			
XXX & 3.30			
XXX & 3.35			
XXX & 3.40			
XXX & 3.45			
XXX & 3.50			
XXX & 3.55			
XXX & 3.60			
XXX & 3.65			
XXX & 3.70			
XXX & 3.75			
XXX & 3.80			
XXX & 3.85			
XXX & 3.90			
XXX & 3.95			
XXX & 4.00			
XXX & 4.05			
XXX & 4.10			
XXX & 4.15			
XXX & 4.20			
XXX & 4.25			
XXX & 4.30			
XXX & 4.35			
XXX & 4.40			
XXX & 4.45			
XXX & 4.50			
XXX & 4.55			
XXX & 4.60			
XXX & 4.65			
XXX & 4.70			
XXX & 4.75			
XXX & 4.80			
XXX & 4.85			
XXX & 4.90			
XXX & 4.95			
XXX & 5.00			
XXX & 5.05			
XXX & 5.10			
XXX & 5.15			
XXX & 5.20			
XXX & 5.25			
XXX & 5.30			
XXX & 5.35			
XXX & 5.40			
XXX & 5.45			
XXX & 5.50			
XXX & 5.55			
XXX & 5.60			
XXX & 5.65			
XXX & 5.70			
XXX & 5.75			
XXX & 5.80			
XXX & 5.85			
XXX & 5.90			
XXX & 5.95			
XXX & 6.00			
XXX & 6.05			
XXX & 6.10			
XXX & 6.15			
XXX & 6.20			
XXX & 6.25			
XXX & 6.30			
XXX & 6.35			
XXX & 6.40			
XXX & 6.45			
XXX & 6.50			
XXX & 6.55			
XXX & 6.60			
XXX & 6.65			
XXX & 6.70			
XXX & 6.75			
XXX & 6.80			
XXX & 6.85			
XXX & 6.90			
XXX & 6.95			
XXX & 7.00			
XXX & 7.05			
XXX & 7.10			
XXX & 7.15			
XXX & 7.20			
XXX & 7.25			
XXX & 7.30			
XXX & 7.35			
XXX & 7.40			
XXX & 7.45			
XXX & 7.50			
XXX & 7.55			
XXX & 7.60			
XXX & 7.65			
XXX & 7.70			
XXX & 7.75			
XXX & 7.80			
XXX & 7.85			
XXX & 7.90			
XXX & 7.95			
XXX & 8.00			
XXX & 8.05			
XXX & 8.10			
XXX & 8.15			
XXX & 8.20			
XXX & 8.25			
XXX & 8.30			
XXX & 8.35			
XXX & 8.40			
XXX & 8.45			
XXX & 8.50			
XXX & 8.55			
XXX & 8.60			
XXX & 8.65			
XXX & 8.70			
XXX & 8.75			
XXX & 8.80			
XXX & 8.85			
XXX & 8.90			
XXX & 8.95			
XXX & 9.00			
XXX & 9.05			
XXX & 9.10			
XXX & 9.15			
XXX & 9.20			
XXX & 9.25			
XXX & 9.30			
XXX & 9.35			
XXX & 9.40			
XXX & 9.45			
XXX & 9.50			
XXX & 9.55			
XXX & 9.60			
XXX & 9.65			
XXX & 9.70			
XXX & 9.75			
XXX & 9.80			
XXX & 9.85			
XXX & 9.90			
XXX & 9.95			
XXX & 10.00			

TITLE: FUEL TANK & SYSTEM
 SIZE: D
 DWG. NO.: 721643-C1
 REV: 1
 SCALE: 1:32
 WEIGHT: 6835.65
 SHEET 3 OF 3

721643-C1
 100

TICO PRO-SPOTTER				
FUEL TANK & SYSTEM, QSB-IV, 65 GALLON STEP FORWARD TANK, DEF TANK				721543
ITEM	PART #	QTY/M	DESCRIPTION	
18	42141	2	FITTING, ADAPTER 90°, 14mm ORB X #6 JIC	
19	42146	2	FITTING, HOSE BARB - STR, 3/8 HOSE X #6 JIC	
NOT SHOWN	42269	1	FITTING, FUEL INLET, 3/8 HOSE PUSH ON	
NOT SHOWN	42269-1	1	SEAL, WASHER, FUEL INLET	
NOT SHOWN	41214	64"	HOSE-3/8 FUEL SAE 30R9	
20	42148	4	CLAMP, HOSE WORM GEAR 1/4 to 5/8	
21	121157	1	TANK MOUNT WELDMENT - DEF	
22	62433	1	DEF TANK, QUALITY SENSOR & J1939 MONITOR	
23	20086-4	4	FLAT BAR WELDMENT	
24	20086-5	4	BRACKET - DEF TANK	
NOT SHOWN	20087	3	GROMMET	
25	82382	4	BOLT - 5/16-18 X 1-1/4 LG	
26	85024	12	NUT-NYLOCK 5/16	
27	85090	16	WASHER - FLAT 5/16	
NOT SHOWN	20086-2	1	COOLANT CONTROL VALVE	
NOT SHOWN	42289	2	HOSE - DEF - HEATED - SUCTION - 2 METER	
NOT SHOWN	42290	1	HOSE - DEF - HEATED - PRESSURE - 3 METER	
NOT SHOWN	40774	2	FITTING, TEE DEF COOLING	
NOT SHOWN	41178	94"	HOSE - SILICONE - ENGINE TO TEE FEED, 5/8	
NOT SHOWN	41178	27"	HOSE - SILICONE - TEE TO FLOW VALVE FEED, 5/8	
NOT SHOWN	41178	2.5"	HOSE - SILICONE - FLOW VALVE TO DEF TANK FEED, 5/8	
NOT SHOWN	41178	36"	HOSE - SILICONE - DEF TANK TO TEE RET, 5/8	
NOT SHOWN	41178	132"	HOSE - SILICONE - TEE TO ENG RET, 5/8	
NOT SHOWN	41158	140"	HOSE - COOLANT SAE20R3D2- TEE TO REACT FEED, 3/8	
NOT SHOWN	41158	112"	HOSE - COOLANT SAE20R3D2- REACT TO TEE RET, 3/8	
NOT SHOWN	420353	1	FITTING-COOLANT SAFE LOCK, STR	
NOT SHOWN	420352	1	FITTING-COOLANT SAFE LOCK, 90 DEG	
NOT SHOWN	42150	10	HOSE CLAMP	
NOT SHOWN	42148	8	HOSE CLAMP	
NOT SHOWN	61883	3	BRACKET, STANDOFF	
NOT SHOWN	40596	8	P-CLAMP, 5/8"	
NOT SHOWN	82371	8	BOLT - 5/16"-18 X 1" Lg	
NOT SHOWN	85090	16	WASHER - FLAT 5/16"	
NOT SHOWN	85024	8	NUT - NYLOCK 5/16"	
NOT SHOWN	620477	2	BRACKET - DEF REACTOR HOSES	
NOT SHOWN	12668	1	BRACKET - FLAT DEF REACTOR HOSES	
REV	DATE	BY		SHEET
C	8/2/2017	MAL		2 OF 2
TICO MANUFACTURING - RIDGELAND, SC 29936				