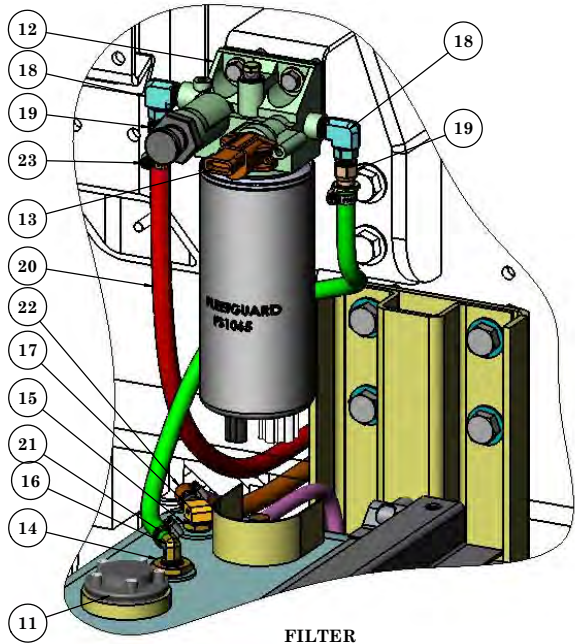
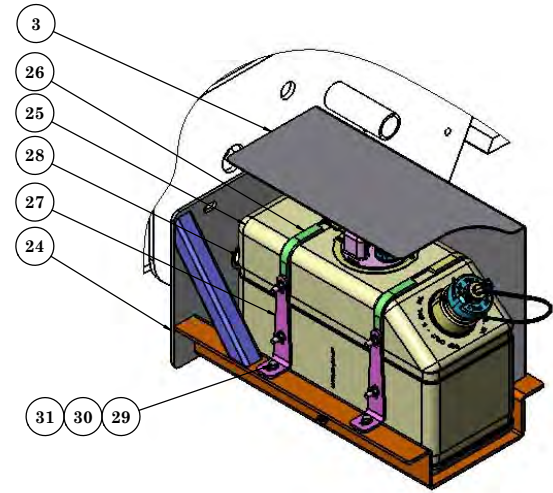


FUEL TANK & SYSTEM  
 PAGE 1 GENERAL OVERVIEW  
 PAGE 2 DETAIL VIEWS  
 PAGE 3-5 PARTS LIST

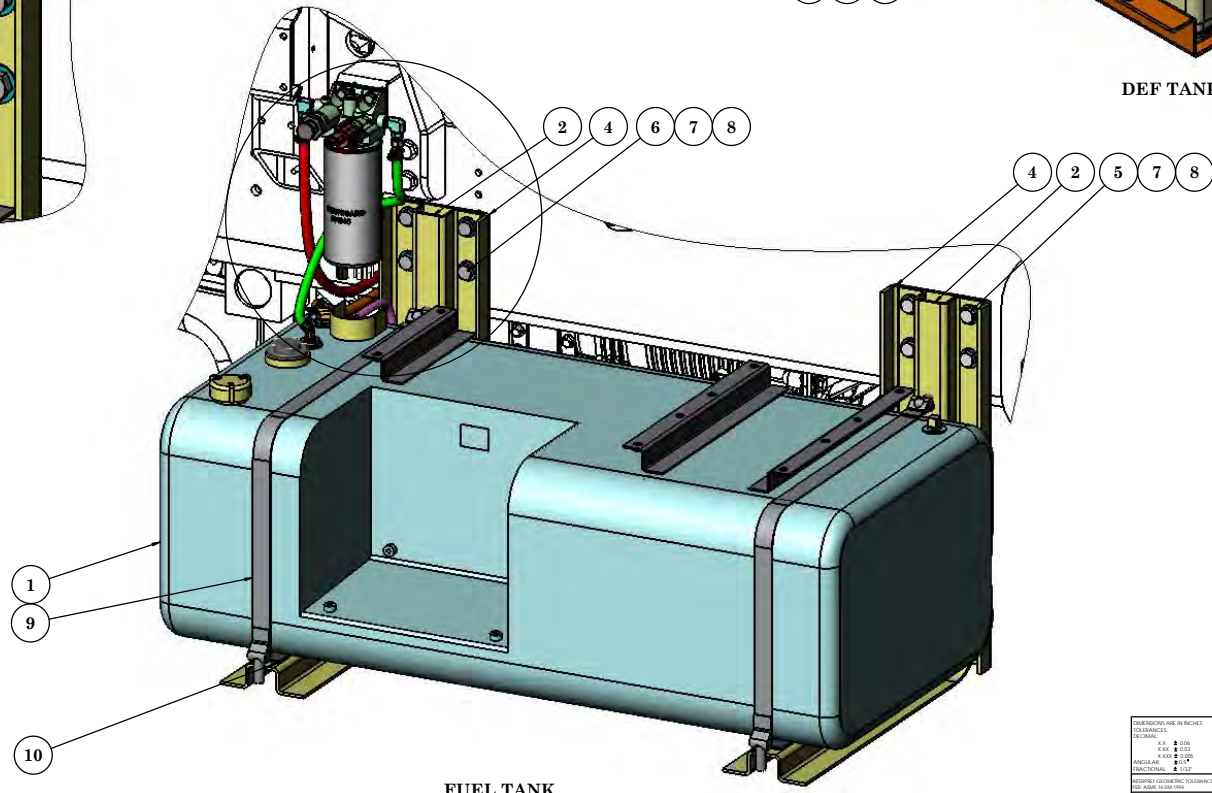
DIMENSIONS ARE IN INCHES		NAME	DATE	 WECO MANUFACTURING 66 CYPRESS RIDGE DR. ROCKLEDGE, NC 27676 (843) 717-2226
TOLERANCES:		DRAWN	MAL	
DECIMAL:		BY	8/26	
FRACTIONS:		CHKD	8/23	
		APPV	8/29	
		ANGULAR	±0.1°	
		FRACTIONS	±1/32"	
		DOTED SCALE DRAWING		
		THE SUBJECT MATTER SHOWN AND DESCRIBED IN THE DRAWING AND ANY OTHER INFORMATION CONTAINED HEREIN IS THE PROPERTY OF WECO MANUFACTURING. IT IS TO BE USED ONLY FOR THE PURPOSES SPECIFIED IN THE DRAWING. IT IS NOT TO BE REPRODUCED OR TRANSMITTED IN ANY FORM OR BY ANY MEANS, ELECTRONIC MECHANICAL, PHOTOCOPYING, RECORDING, OR BY ANY INFORMATION STORAGE AND RETRIEVAL SYSTEM, WITHOUT THE WRITTEN PERMISSION OF WECO MANUFACTURING.		
ISSUED:	N/A	SIZE	DWG. NO.	REV
REVISED:	SEE NOTE	<b>D</b>	721615	
SCALE:	N/A	SCALE: 1:32 [WEIGHT: 6380.60] SHEET 1 OF 2		



FILTER ASSEMBLY



DEF TANK



FUEL TANK

REVISIONS ARE IN PINKS	DATE	BY	CHKD	DATE	BY
ISSUANCES					
REV. 1	01/26/2017				
REV. 2					
REV. 3					
REV. 4					
REV. 5					
REV. 6					
REV. 7					
REV. 8					
REV. 9					
REV. 10					
REV. 11					
REV. 12					
REV. 13					
REV. 14					
REV. 15					
REV. 16					
REV. 17					
REV. 18					
REV. 19					
REV. 20					
REV. 21					
REV. 22					
REV. 23					
REV. 24					
REV. 25					
REV. 26					
REV. 27					
REV. 28					
REV. 29					
REV. 30					
REV. 31					
REV. 32					
REV. 33					
REV. 34					
REV. 35					
REV. 36					
REV. 37					
REV. 38					
REV. 39					
REV. 40					
REV. 41					
REV. 42					
REV. 43					
REV. 44					
REV. 45					
REV. 46					
REV. 47					
REV. 48					
REV. 49					
REV. 50					
REV. 51					
REV. 52					
REV. 53					
REV. 54					
REV. 55					
REV. 56					
REV. 57					
REV. 58					
REV. 59					
REV. 60					
REV. 61					
REV. 62					
REV. 63					
REV. 64					
REV. 65					
REV. 66					
REV. 67					
REV. 68					
REV. 69					
REV. 70					
REV. 71					
REV. 72					
REV. 73					
REV. 74					
REV. 75					
REV. 76					
REV. 77					
REV. 78					
REV. 79					
REV. 80					
REV. 81					
REV. 82					
REV. 83					
REV. 84					
REV. 85					
REV. 86					
REV. 87					
REV. 88					
REV. 89					
REV. 90					
REV. 91					
REV. 92					
REV. 93					
REV. 94					
REV. 95					
REV. 96					
REV. 97					
REV. 98					
REV. 99					
REV. 100					

SCALE: 1:32	WEIGHT: 6380.62	SHEET 2 OF 2
-------------	-----------------	--------------

D 721615

TICCI/TERMINAL SERVICE  
44 CYRESS ROAD DR.  
ROCKLAND, NC 27854  
(843) 717-2226

WEG

TITLE: FUEL TANK & SYSTEM

SIZE: DWG. NO. 721615 REV. D

**TICO PRO-SPOTTER**

**FUEL TANK & SYSTEM, 2017-B6.7**

**721615**

ITEM	PART #	QTY/M		DESCRIPTION	
	721615-D1	REF		FUEL TANK & SYSTEM, 2017-B6.7	
1	200383	1		TANK, FUEL 65 GALLON DIESEL, STEP FORWARD	
2	20175	2		BRACKET - TANK MOUNT	
3	20086-7	1		COVER - DEF TANK	
4	12406	2		CHANNEL BRACKET - FUEL TANK	
5	82397	4		BOLT, HEX 5/8-11 x 1-1/2 LG	
6	82419	4		BOLT, HEX 5/8-11 x 2 LG	
7	85028	8		NUT, NYLOCK 5/8-11	
8	85094	16		WASHER, FLAT HARD 5/8	
NOT SHOWN	82385	4		BOLT, HEX 1/2-13 X 1-1/4 LG	
NOT SHOWN	85027	4		NUT, NYLOCK 1/2-13	
NOT SHOWN	85093	8		WASHER, FLAT HARD 1/2"	
9	20179	2		HOLDING STRAP, FUEL TANK	
10	20171	2		RUBBER PAD -TANK BRKT 1/8 X 1 1/2	
11	20169	1		SENDER FUEL 240-33 OHM NO-FLOAT	
12	61001	1		FILTER FUEL-PRIMARY (FF5632 FURN W/ENG)	
	62384	1		FILTER HEAD, FH21108	
	61017	1		FILTER FUEL/WATER SEP	
13	61807	1		HEATER, STICK	
NOT SHOWN	61883	1		BRACKET - STANDOFF	
NOT SHOWN	82405	2		BOLT, HEX 3/8-16 x 1 3/4 BRACKET to CAB BAR	
NOT SHOWN	85113	8		WASHER, FLAT 3/8	
NOT SHOWN	85036	4		LOCKNUT, 3/8-16	
14	42053	1		FITTING, REDUCER BRASS 3/4 NPT - 3/8 NPT (SUPPY)	
15	42095	1		FITTING, REDUCER BRASS 1/2 NPT - 3/8 NPT(RETURN)	
16	42239	1		FITTING, HOSE BARB - 90° BRASS - 3/8 HOSE TO 3/8 NPT (SUPPLY)	
17	42139	1		FITTING, HOSE BARB - 90° BRASS - 5/16 HOSE TO 3/8 NPT (RETURN)	
<b>REV</b>	<b>DATE</b>	<b>BY</b>			<b>SHEET</b>
D	12/28/2017	MAL			1 OF 3



