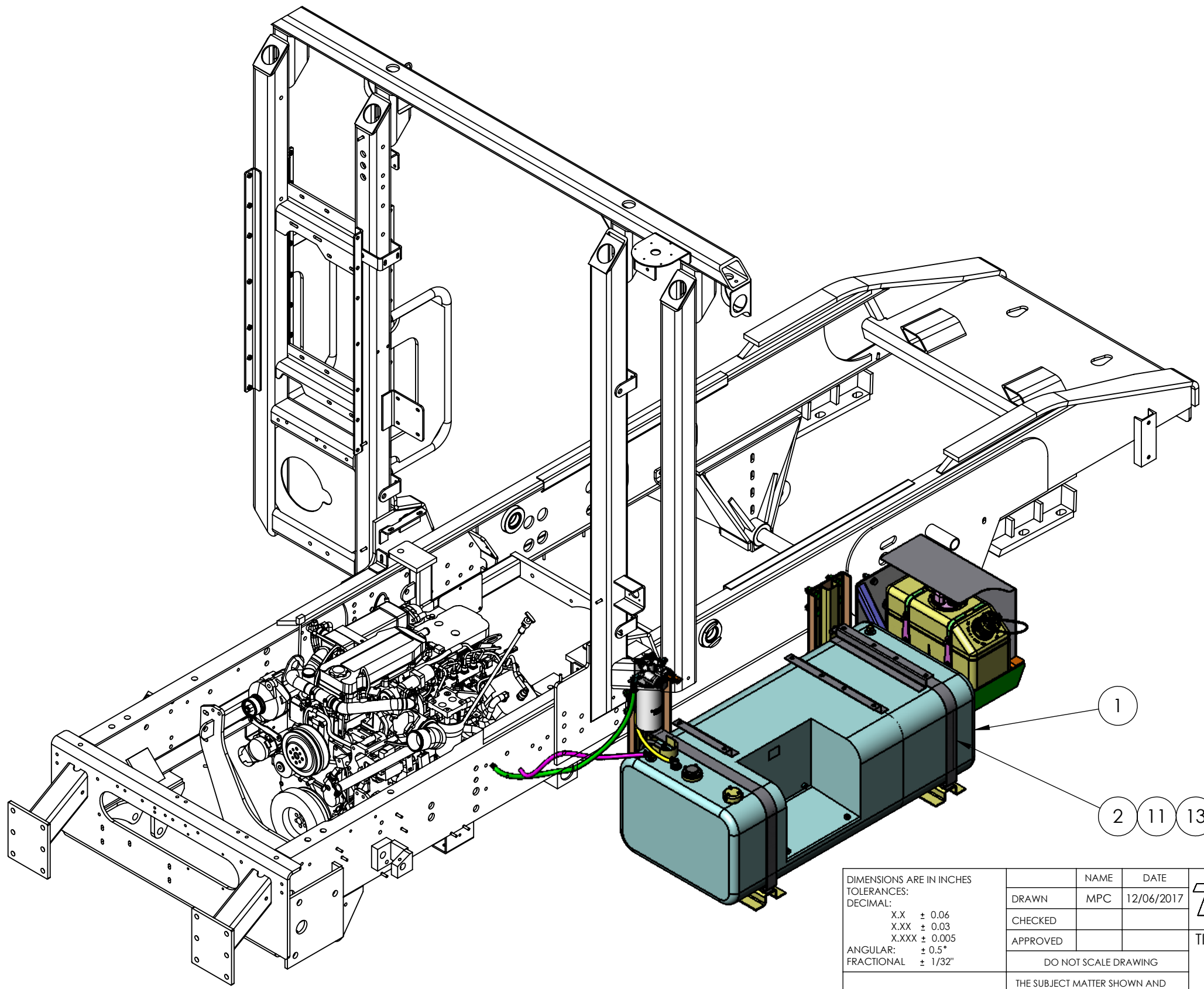



8 7 6 5 4 3 2 1

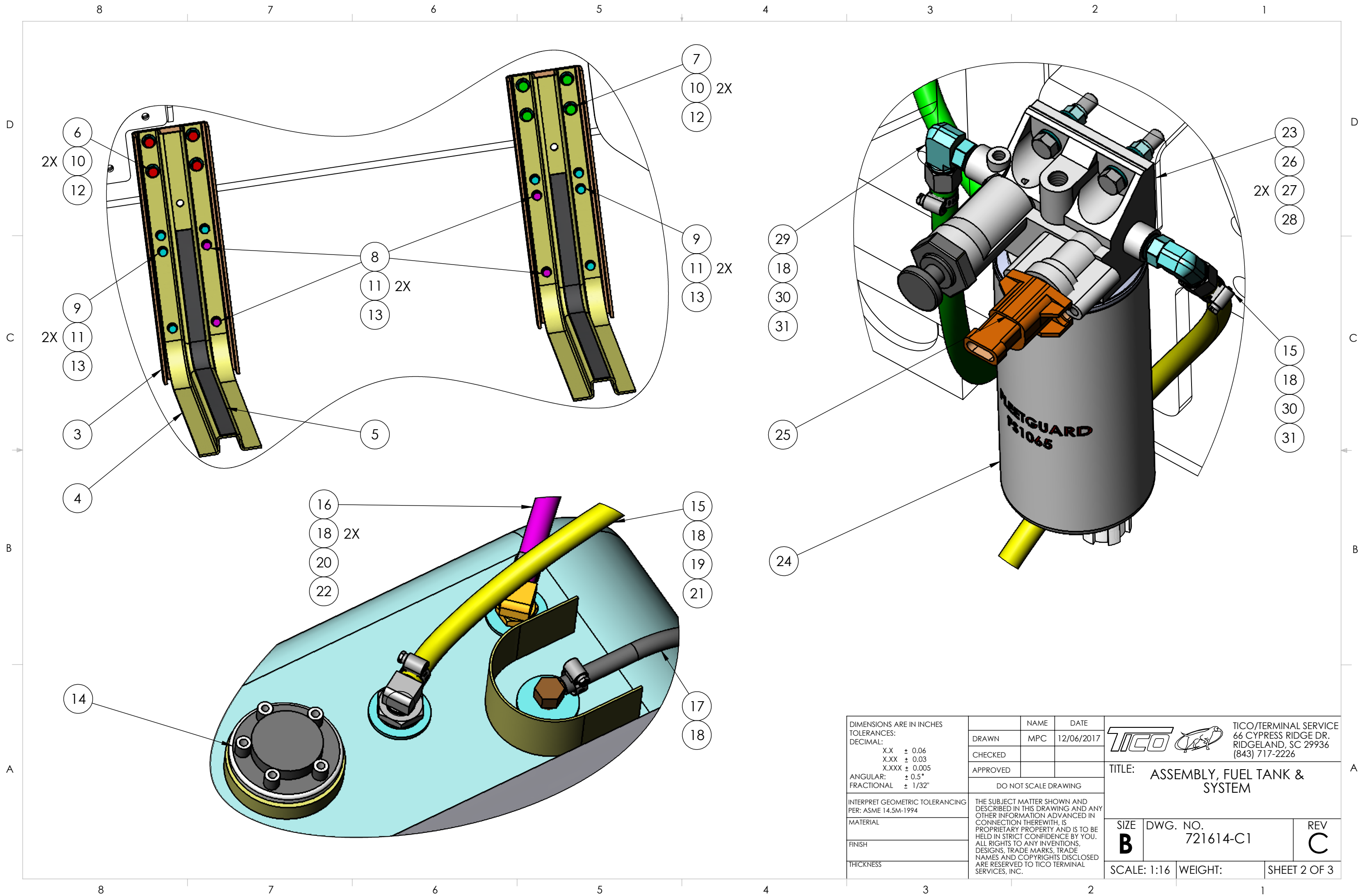
D  
C  
B  
A



1  
2 11 13

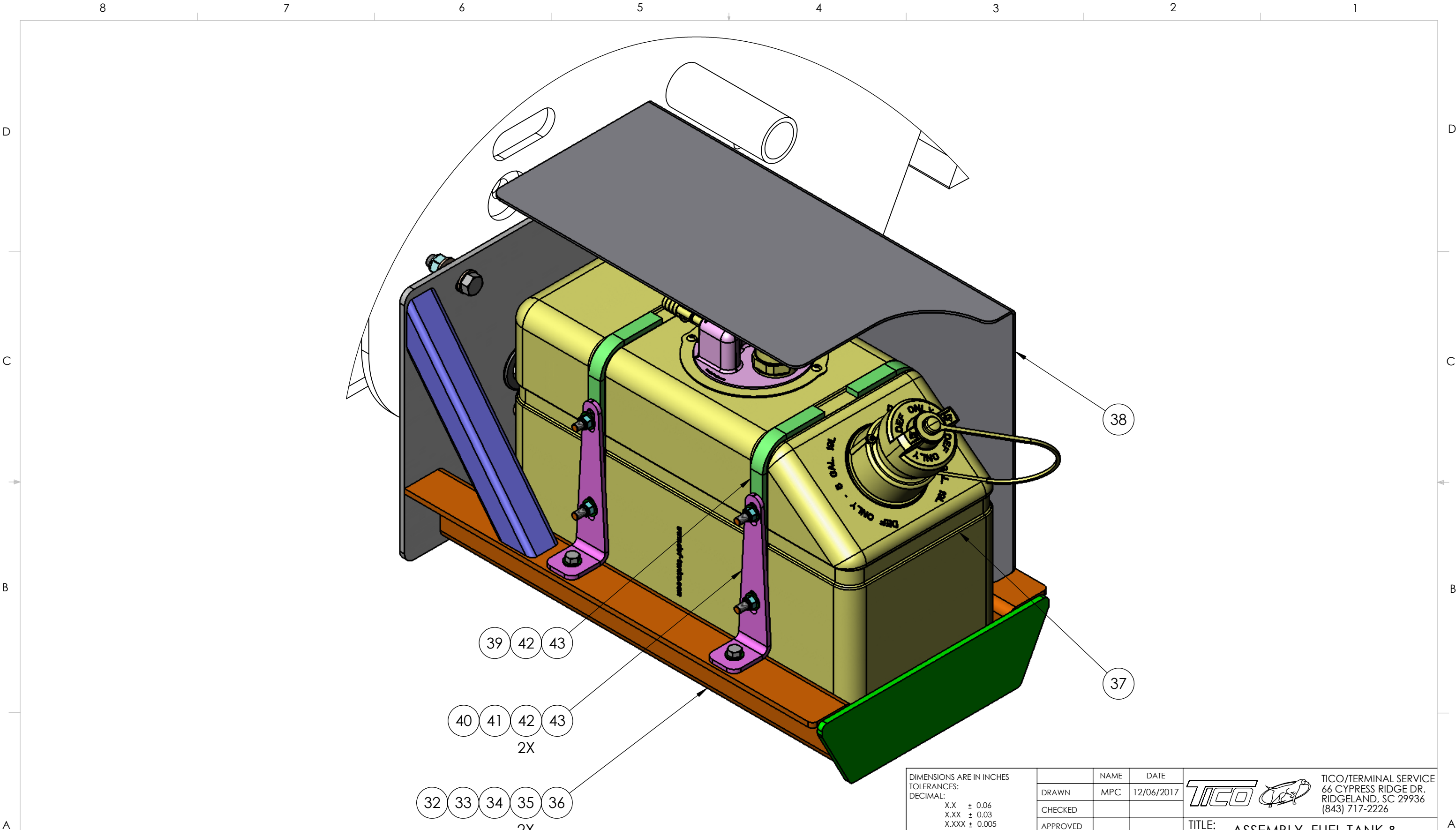
DIMENSIONS ARE IN INCHES TOLERANCES: DECIMAL: X.X ± 0.06 X.XX ± 0.03 X.XXX ± 0.005 ANGULAR: ± 0.5° FRACTIONAL ± 1/32"	NAME	DATE	 TICO MANUFACTURING 66 CYPRESS RIDGE DR. RIDGELAND, SC 29936 (843) 717-2226	
	DRAWN	MPC		12/06/2017
	CHECKED			
	APPROVED			
	DO NOT SCALE DRAWING		TITLE: ASSEMBLY, FUEL TANK & SYSTEM	
MATERIAL	THE SUBJECT MATTER SHOWN AND DESCRIBED IN THIS DRAWING AND ANY OTHER INFORMATION ADVANCED IN CONNECTION THEREWITH, IS PROPRIETARY PROPERTY AND IS TO BE HELD IN STRICT CONFIDENCE BY YOU. ALL RIGHTS TO ANY INVENTIONS, DESIGNS, TRADE MARKS, TRADE NAMES AND COPYRIGHTS DISCLOSED ARE RESERVED TO TICO TERMINAL SERVICES, INC.		SIZE DWG. NO. REV	
FINISH			<b>B</b> 721614-C1 <b>C</b>	
THICKNESS			SCALE: 1:16 WEIGHT: SHEET 1 OF 3	


8 7 6 5 4 3 2 1



DIMENSIONS ARE IN INCHES		NAME	DATE
TOLERANCES:		DRAWN	MPC 12/06/2017
DECIMAL:		CHECKED	
X.X ± 0.06		APPROVED	
X.XX ± 0.03		DO NOT SCALE DRAWING	
X.XXX ± 0.005		THE SUBJECT MATTER SHOWN AND DESCRIBED IN THIS DRAWING AND ANY OTHER INFORMATION ADVANCED IN CONNECTION THEREWITH, IS PROPRIETARY PROPERTY AND IS TO BE HELD IN STRICT CONFIDENCE BY YOU. ALL RIGHTS TO ANY INVENTIONS, DESIGNS, TRADE MARKS, TRADE NAMES AND COPYRIGHTS DISCLOSED ARE RESERVED TO TICO TERMINAL SERVICES, INC.	
ANGULAR: ± 0.5°			
FRACTIONAL ± 1/32"			
INTERPRET GEOMETRIC TOLERANCING PER: ASME 14.5M-1994			
MATERIAL		SIZE	DWG. NO.
FINISH		<b>B</b>	721614-C1
THICKNESS		SCALE: 1:16	WEIGHT:
			SHEET 2 OF 3

TICO/TERMINAL SERVICE 66 CYPRESS RIDGE DR. RIDGELAND, SC 29936 (843) 717-2226	
TITLE: ASSEMBLY, FUEL TANK & SYSTEM	
SIZE	REV
<b>B</b>	<b>C</b>
SCALE: 1:16	WEIGHT:
	SHEET 2 OF 3



DIMENSIONS ARE IN INCHES		NAME	DATE	 TICO/TERMINAL SERVICE 66 CYPRESS RIDGE DR. RIDGELAND, SC 29936 (843) 717-2226
TOLERANCES:		DRAWN	MPC 12/06/2017	
DECIMAL:		CHECKED		
X.X ± 0.06 X.XX ± 0.03 X.XXX ± 0.005 ANGULAR: ± 0.5° FRACTIONAL ± 1/32"		APPROVED		
INTERPRET GEOMETRIC TOLERANCING PER: ASME 14.5M-1994		DO NOT SCALE DRAWING		TITLE: ASSEMBLY, FUEL TANK & SYSTEM
MATERIAL		THE SUBJECT MATTER SHOWN AND DESCRIBED IN THIS DRAWING AND ANY OTHER INFORMATION ADVANCED IN CONNECTION THEREWITH, IS PROPRIETARY PROPERTY AND IS TO BE HELD IN STRICT CONFIDENCE BY YOU. ALL RIGHTS TO ANY INVENTIONS, DESIGNS, TRADE MARKS, TRADE NAMES AND COPYRIGHTS DISCLOSED ARE RESERVED TO TICO TERMINAL SERVICES, INC.		SIZE: <b>B</b>
FINISH				DWG. NO. 721614-C1
THICKNESS				REV <b>C</b>
		SCALE: 1:16	WEIGHT:	SHEET 3 OF 3

TICO PRO-SPOTTER				
			ASSEMBLY, FUEL TANK & SYSTEM	721614
ITEM	PART #	QTY	DESCRIPTION	NOTE
	721614-C1	REF	ASSEMBLY, FUEL TANK & SYSTEM	
1	200383	1	TANK, FUEL, STEP-FORWARD, DIESEL, 65 GALLON	
2	20179	2	HOLDING STRAP, FUEL TANK	
3	12406	2	CHANNEL BRACKET, FUEL TANK	
4	20175	2	MOUNT BRACKET, FUEL TANK	
5	20171	2	PAD, RUBBER, FUEL TANK BRACKET, 1/8 X 1-1/2	
6	82430	4	BOLT, HEX HEAD, 5/8-11 X 2-1/4 LONG	
7	82419	4	BOLT, HEX HEAD, 5/8-11 X 2 LONG	
8	82407	4	BOLT, HEX HEAD, 1/2-13 X 1-3/4 LONG	
9	82396	8	BOLT, HEX HEAD, 1/2-13 X 1-1/2 LONG	
10	85094	16	WASHER, FLAT, 5/8	
11	85093	24	WASHER, FLAT, 1/2	
12	85028	8	LOCKNUT, NYLON, 5/8-11	
13	85027	16	LOCKNUT, NYLON, 1/2-13	
14	20169	1	SENDER FUEL, 240-33 OHM, NO-FLOAT	
15	40811	20"	HOSE, FUEL, 5/16 (TANK TO FILTER)	
16	40811	24"	HOSE, FUEL, 5/16 (TANK TO ENGINE)	
17	41000	1	HOSE, FUEL, 5/16 X 6 LONG (OVERFLOW)	
18	42148	6	CLAMP, HOSE, WORMGEAR, 1/4 TO 5/8	
19	42239	1	FITTING, ELBOW, 90°, 3/8 NPT X 3/8 BARB	
20	42139	1	FITTING, ELBOW, 90°, 3/8 NPT X 5/16 BARB	
21	42053	1	FITTING, REDUCER, 3/4 NPT X 3/8 NPT	
22	42095	1	FITTING, REDUCER, 1/2 NPT X 3/8 NPT	
	61001	1	FUEL FILTER, PRIMARY (FF5632)	
23	62384	1	FILTER, HEAD (FH21108)	
24	61017	1	FILTER FUEL/WATER SEPARATOR (FURNISHED WITH ENGINE)	
25	61807	1	HEATER, STICK	
26	82405	2	BOLT, HEX HEAD, 3/8-16 X 1-3/4 (BRACKET TO CAB BAR)	
27	85091	4	WASHER, FLAT, 3/8	
28	85025	2	LOCKNUT, NYLON, 3/8-16	
29	41214	34"	HOSE, FUEL, 3/8 (FILTER TO ENGINE)	
30	42146	2	FITTING, HOSE, 3/8 BARB X 3/8 JIC	
31	42080	2	FITTING, ELBOW, 90°, 12 MM O-RING X 3/8 JIC	
32	121157	1	MOUNT, DEF TANK	
33	20032-2	1	GROMMET	
34	82418	3	BOLT, HEX HEAD, 1/2-13 X 2 LONG	
35	85093	6	WASHER, FLAT, 1/2	
36	85027	3	LOCKNUT, NYLON, 1/2-13	
<b>REV</b>	<b>DATE</b>	<b>BY</b>		<b>SHEET</b>
C	12/06/2017	MPC		1
				<b>OF</b>
				2

TICO MANUFACTURING - RIDGELAND, SC 29936

TICO PRO-SPOTTER				
			ASSEMBLY, FUEL TANK & SYSTEM	721614
ITEM	PART #	QTY	DESCRIPTION	NOTE
37	62433	1	DEF TANK, QUALITY SENSOR & J1939 MONITOR	
38	20086-7	1	COVER, DEF TANK	
39	20086-4	4	FLAT BAR, DEF TANK	
40	20086-5	4	BRACKET, DEF TANK	
41	82382	4	BOLT, HEX HEAD, 5/16-18 X 1-1/4 LONG	
42	85090	16	WASHER, FLAT, 5/16	
43	85024	12	LOCKNUT, NYLON, 5/16-18	
NOT SHOWN	20086-2	1	VALVE, CONTROL, COOLANT	
NOT SHOWN	42289	2	HOSE, DEF, HEATED, 79 LONG (SUCTION/THROTTLE)	
NOT SHOWN	42290	1	HOSE, DEF, HEATED, 5/16 ID X 118-1/8 LONG (PRESSURE)	
NOT SHOWN	40774	2	FITTING, TEE, 5/8 BARB X 5/8 BARB X 3/8 BARB (DEF COOLING)	
NOT SHOWN	41178	94"	HOSE, SILICONE, 5/8 (ENGINE TO TEE FEED)	
NOT SHOWN	41178	27"	HOSE, SILICONE, 5/8 (TEE TO FLOW VALVE FEED)	
NOT SHOWN	41178	2.5"	HOSE, SILICONE, 5/8 (FLOW VALVE TO DEF TANK FEED)	
NOT SHOWN	41178	36"	HOSE, SILICONE, 5/8 (DEF TANK TO TEE RET)	
NOT SHOWN	41178	132"	HOSE, SILICONE, 5/8 (TEE TO ENGINE RET)	
NOT SHOWN	41158	140"	HOSE, COOLANT, 3/8 (TEE TO REACT FEED)	
NOT SHOWN	41158	112"	HOSE, COOLANT, 3/8 (REACT TO TEE RET)	
NOT SHOWN	420353	1	FITTING, STRAIGHT, COOLANT, SAFE LOCK	
NOT SHOWN	420352	1	FITTING, ELBOW, 90°, COOLANT, SAFE LOCK	
NOT SHOWN	42150	10	CLAMP, WORMGEAR, #08	
NOT SHOWN	42148	8	CLAMP, WORMGEAR, #04	
NOT SHOWN	61883	3	BRACKET, STANDOFF	
NOT SHOWN	40596	8	P-CLAMP, 5/8"	
NOT SHOWN	82371	8	BOLT, HEX HEAD, 5/16-18 X 1 LONG	
NOT SHOWN	85090	16	WASHER, FLAT, 5/16	
NOT SHOWN	85024	8	LOCKNUT, NYLON, 5/16-18	
NOT SHOWN	620477	2	BRACKET, DEF REACTOR HOSES	
NOT SHOWN	12668	1	BRACKET, FLAT, DEF REACTOR HOSES	
NOT SHOWN	61883	1	BRACKET, STANDOFF	
NOT SHOWN	61672	1	HARNESS, HEATER, FUEL FILTER	
NOT SHOWN	42269	1	FITTING, FUEL INLET, 3/8 HOSE PUSH ON	
NOT SHOWN	42269-1	1	SEAL, WASHER, FUEL INLET	
REV	DATE	BY		SHEET
C	12/06/2017	MPC		2
				OF
				2

TICO MANUFACTURING - RIDGELAND, SC 29936