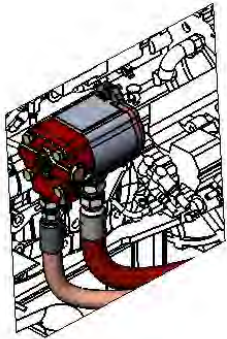
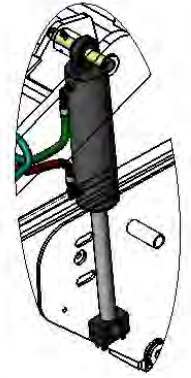
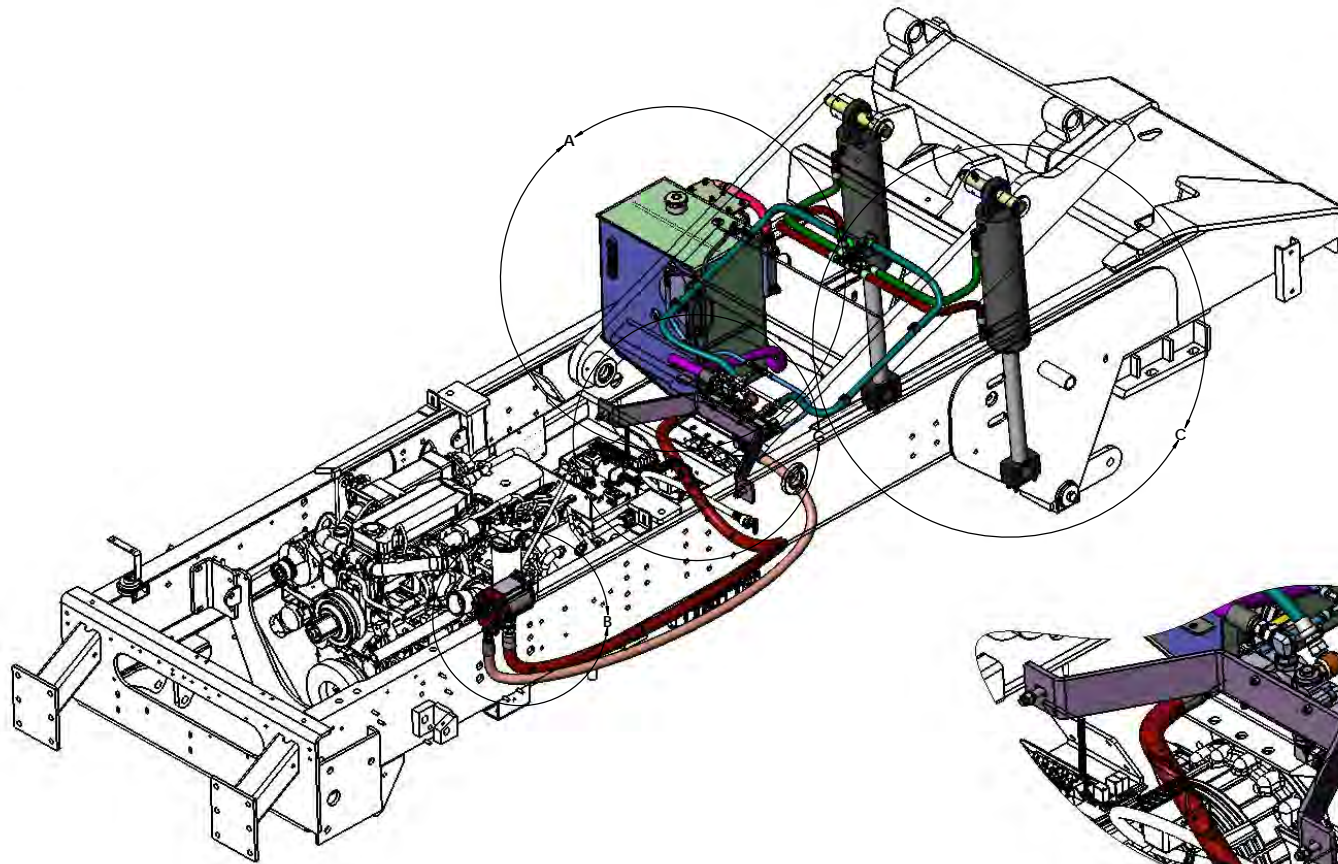


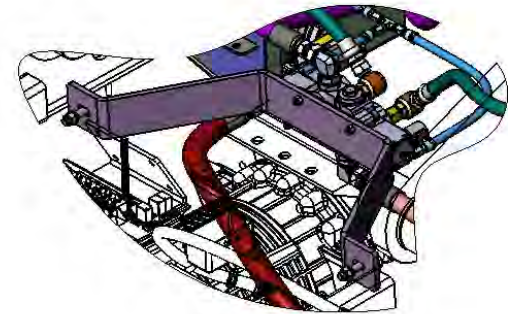
A. HYDRAULIC TANK & FITTINGS
PAGE 2



B. HYDRAULIC PUMP
PAGE 2



C. CYLINDERS
& HOSES
PAGE 3



D. DIRECTIONAL CONTROL VALVE
PAGE 2

HYDRAULIC SYSTEM
PAGE 1 OVERVIEW PAGE
PAGE 2 PUMP, TANK, AND DCV
PAGE 3 CYLINDERS
PAGE 4 HOSES
PAGE 5-7 PARTS LIST

DIMENSIONS ARE IN INCHES		NAME	DATE
TOLERANCES:	DECIMAL	DRAWN	MAL 08/08/2017
	.000	CHECKED	
	.005	APPROVED	
	.010		
ANGULAR	± 0.1°	DOTTED SCALE DRAWING	
FRACTIONAL	± 0.125	THE SUBJECT MATTER SHOWN AND DESCRIBED IN THE DRAWING AND ANY OTHER INFORMATION CONTAINED HEREIN IS THE PROPERTY OF WACO AND IS TO BE USED FOR THE PURPOSES AND IN ACCORDANCE WITH THE TERMS AND CONDITIONS OF THE AGREEMENT. ALL RIGHTS TO ANY PATENT, TRADE MARK, AND COPYRIGHTS ARE RESERVED TO WACO TECHNOLOGY SERVICES, INC.	
SCALE:	N/A	SIZE	DWG. NO. 721603-A1
REV:		REV	
SEE NOTE		SCALE: 1:32 [WEIGHT: 5843.41] SHEET 1 OF 4	
REVISION:	N/A		

D 721603-A1

TICO PRO-SPOTTER				
HYDRAULIC SYSTEM, 2017-II 116"WB				721603
ITEM	PART #	QTY/M	DESCRIPTION	
	721603-B1	REF	HYDRAULIC SYSTEM, 2017-II 116"WB	
1	61962	1	PUMP - 20 GPM, 5 GPM STEER PRIORITY	
2	60212	1	GASKET	
3	80175	2	BOLT - SOC HD M10 X 1.5 X 30MM LG	
4	85091	2	WASHER 3/8	
5	42018	1	FITTING, STR ADAPTER STEEL, 1" O-RING X 1" JIC - PUMP SUCTION	
6	40471	1	FITTING, STR ADAPTER STEEL, 3/4" O-RING X 3/4" JIC	
7	42006	1	FITTING, STR ADAPTER STEEL, 1/2" O-RING X 1/2" JIC	
8	420340	1	TANK-HYDRAULIC, 18.5 GAL, VENTED W/SAE PORTS, NON VENTED CAP, LH FILTER	
9	82418	4	BOLT, HEX 1/2-13 X 2 LG	
10	85027	4	NUT, NYLOK 1/2-13	
11	85104	8	FLATWASHER 1/2	
12	30174	1	SPACER - HYDRAULIC TANK	
13	40823	1	FITTING, ELBOW 90° STEEL, 3/8 TUBE X 3/8 NPT (@ TANK TOP)	
14	11004	3 FT	TUBING - NYLON AIR BRAKE BLACK - 3/8" DIA	
15	40593	1	P, CLAMP	
16	82371	1	BOLT, HEX 5/16-18 X 1" LG	
17	85024	1	NUT, NYLOK 5/16-18	
18	85112	2	WASHER 5/16	
19	420376	1	FITTING-ELBOW,SAE O-RING (-20) 1-5/8" THREAD X 1 1/4 "-11.5 NPT (MALE), STEEL	
20	420383	1	FITTING-ADAPTER, 1-1/4" NPT (FEMALE) X 1" NPT (MALE), STEEL	
21	40146	1	SHUT-OFF VALVE - 1"	
22	40961	1	FITTING, STR ADAPTER STEEL, 1" JIC X 1" NPT (@ SHUT-OFF)	
23	420382	2	FITTING, ELBOW,90°, 1 1/4 NPT (MALE) X 3/4" JIC (MALE)	
24	60556-2	1	FILTER HEAD	
25	60556-1	1	FILTER	
26	1026037	1	SEAL	
27	20100	2	U-BOLT (3/8" DIA x 2" ID x 3-5/8" OAL)	
28	85091	4	WASHER, 3/8" HRDN	
29	85025	4	NUT, 3/8"-16 NYLOK	
30	410344	1	HOSE ASS'Y - 3/4" X 25 HOSE X 30-1/16 OAL - FILTER TO TANK	
31	420379	1	FITTING-ELBOW,SAE O-RING (-16) 1-5/16-12 THREAD X 3/4"-14 NPT (MALE), STEEL	
32	40147	1	SHUT-OFF VALVE - 3/4"	
33	40961	1	FITTING-1" JIC X 1" NPT (MALE), STEEL	
33	82371	2	BOLT - HEX 5/16-18 X 1" LG - FILTER TO TANK	
34	85090	2	WASHER - 5/16	
35	85134	2	LOCKWASHER 5/16	
NOT SHOWN	42182	1	ADAPTER, 1" NPT(MALE) X 3/4" NPT (FEMALE), STEEL	
REV	DATE	BY		SHEET
B	8/8/2017	MAL		1 OF 3
TICO MANUFACTURING - RIDGELAND, SC 29936				

