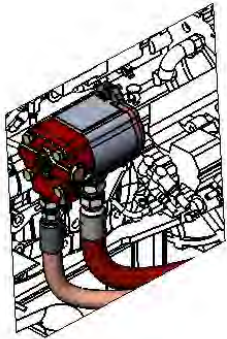
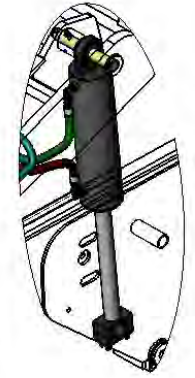
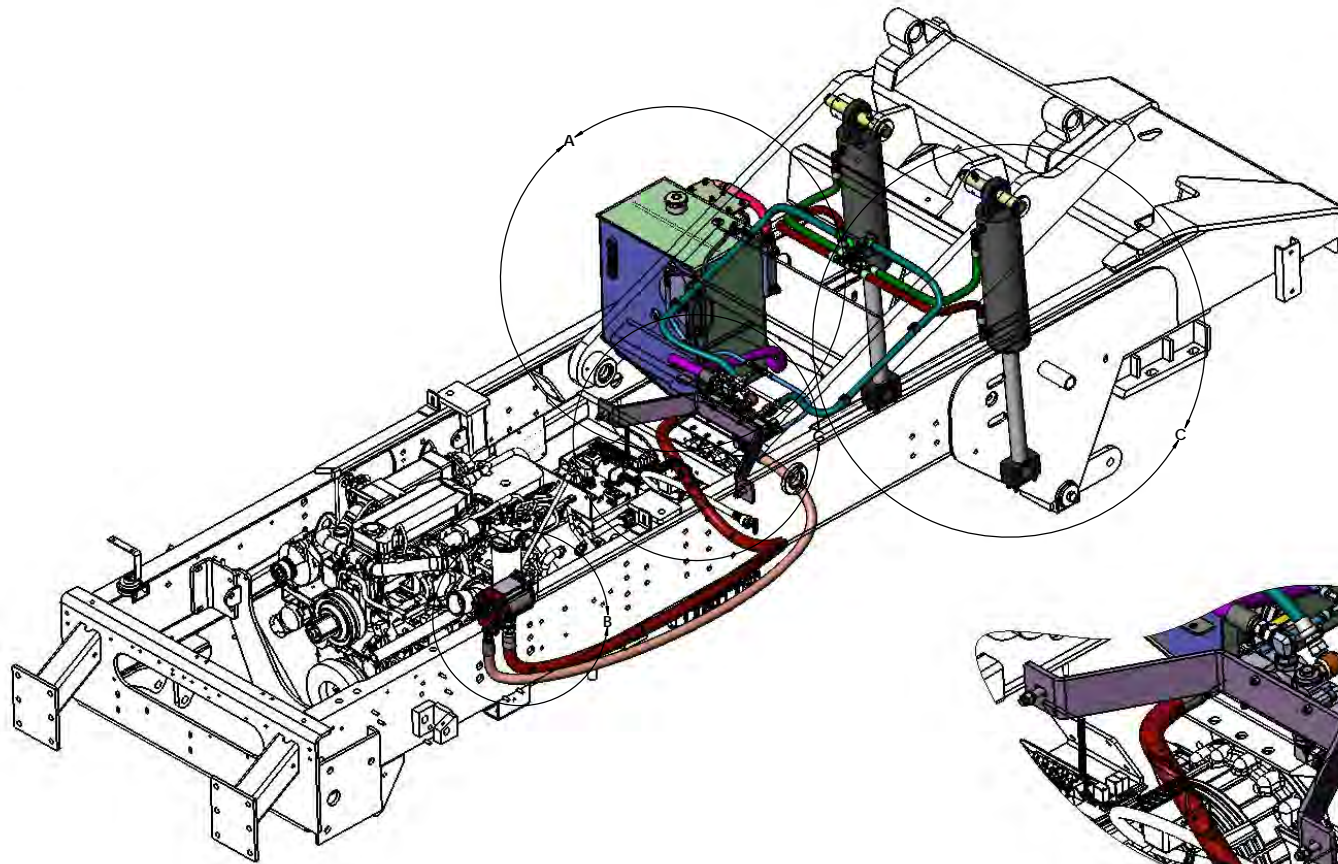


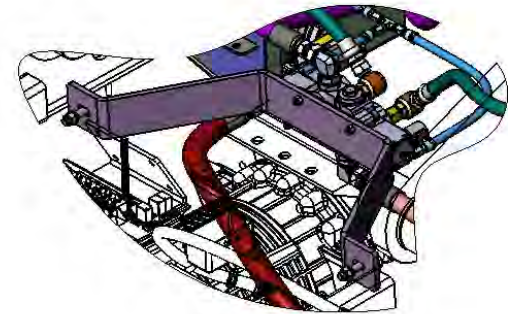
A. HYDRAULIC TANK & FITTINGS
PAGE 2



B. HYDRAULIC PUMP
PAGE 2



C. CYLINDERS
& HOSES
PAGE 3

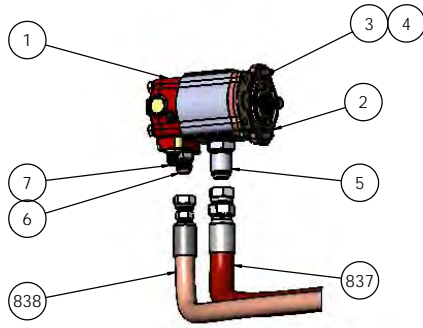


D. DIRECTIONAL CONTROL VALVE
PAGE 2

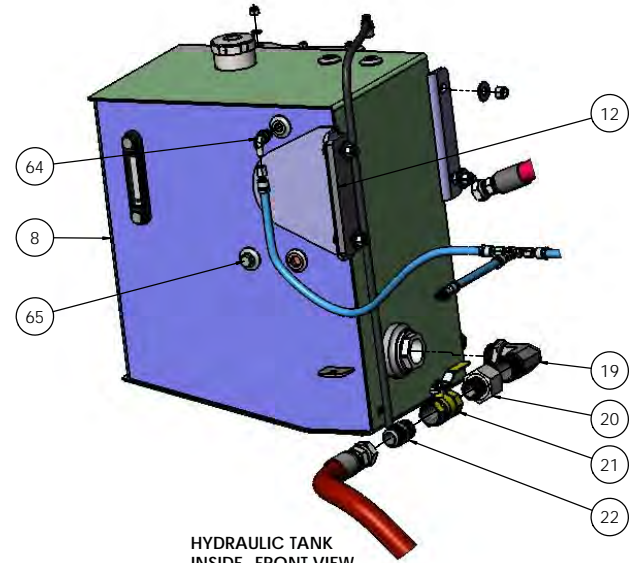
HYDRAULIC SYSTEM
PAGE 1 OVERVIEW PAGE
PAGE 2 PUMP, TANK, AND DCV
PAGE 3 CYLINDERS
PAGE 4 HOSES
PAGE 5-7 PARTS LIST

DIMENSIONS ARE IN INCHES		NAME	DATE
TOLERANCES:	DRAWN	MAL	08/08/2017
DECIMAL	1/8 & 0/8		
	1/4 & 0/16		
	3/16 & 0/32		
ANGULAR	30° ± 1/2°		
FRACTIONAL	1/16		
	1/32		
DOTTED SCALE DRAWING			
THE SUBJECT MATTER SHOWN AND DESCRIBED IN THE DRAWING AND ANY CORRECTIONS THEREON ARE THE PROPERTY OF WECO AND WILL BE HELD AS CONFIDENTIAL TO THE BEST OF OUR KNOWLEDGE. THIS DRAWING AND CORRECTIONS THEREON ARE DEEMED TO BE NON-TRANSFERABLE.			
ISSUED:	N/A	SIZE	DWG. NO.
REVISED:	N/A	D	721602-A1
SEE NOTE		SCALE	1:32 [WEIGHT: 5843.41] SHEET 1 OF 4
REWORK:	N/A		

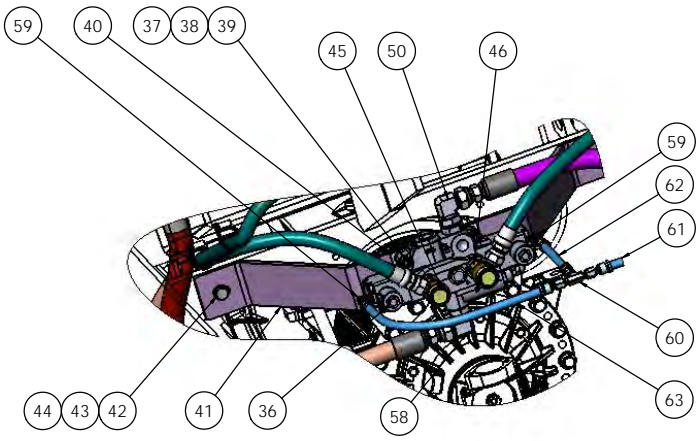
D 721602-A1



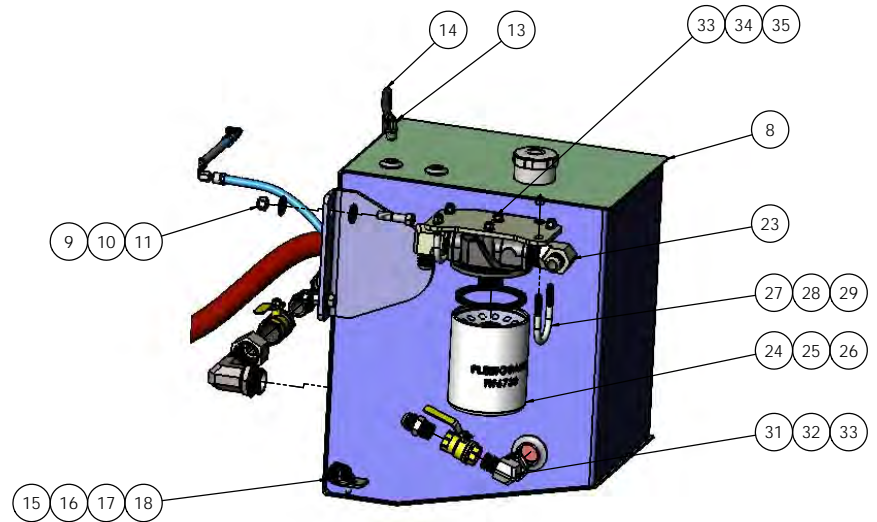
HYDRAULIC PUMP



HYDRAULIC TANK
INSIDE - FRONT VIEW

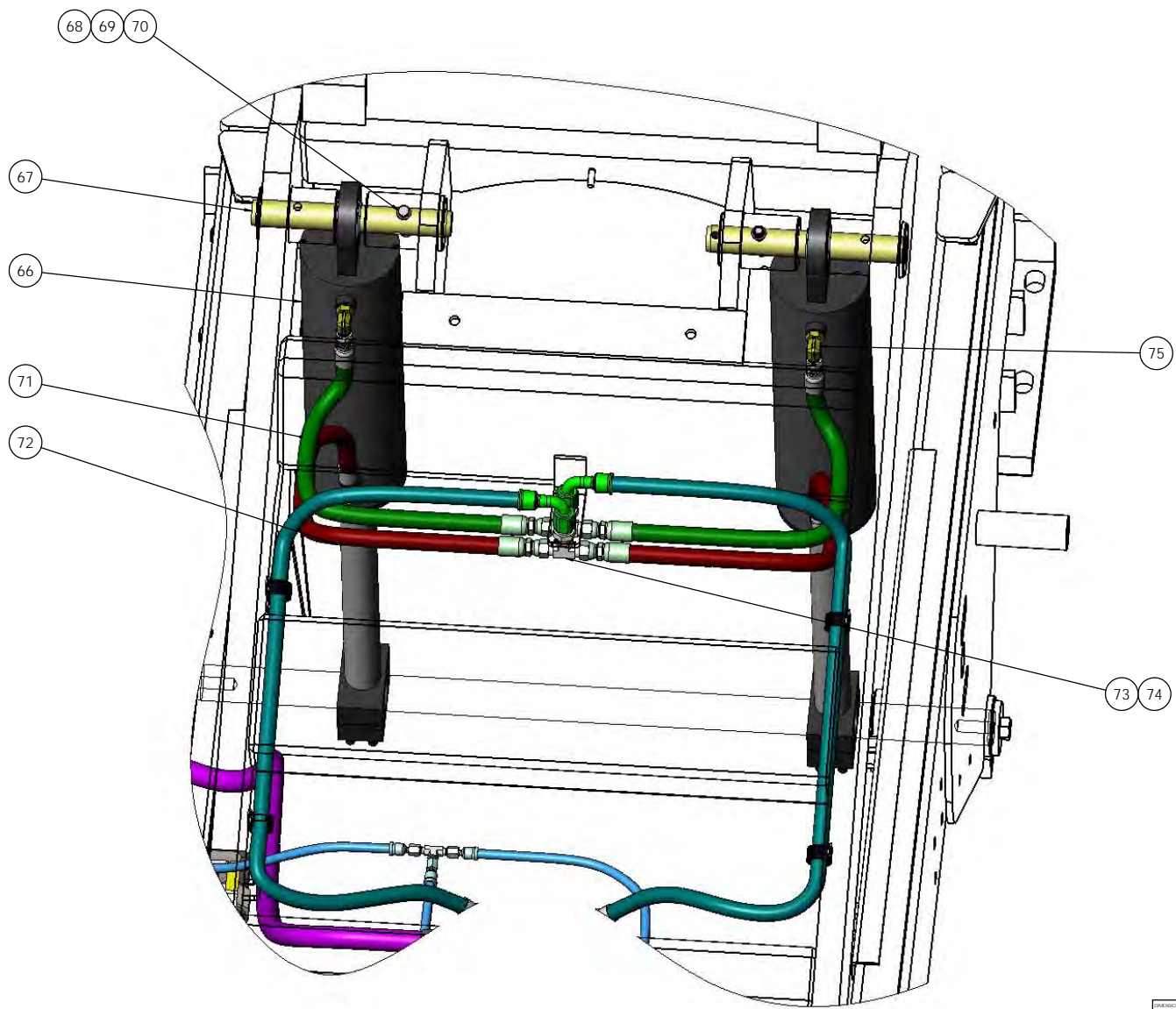


DIRECTIONAL CONTROL VALVE
(DCV)

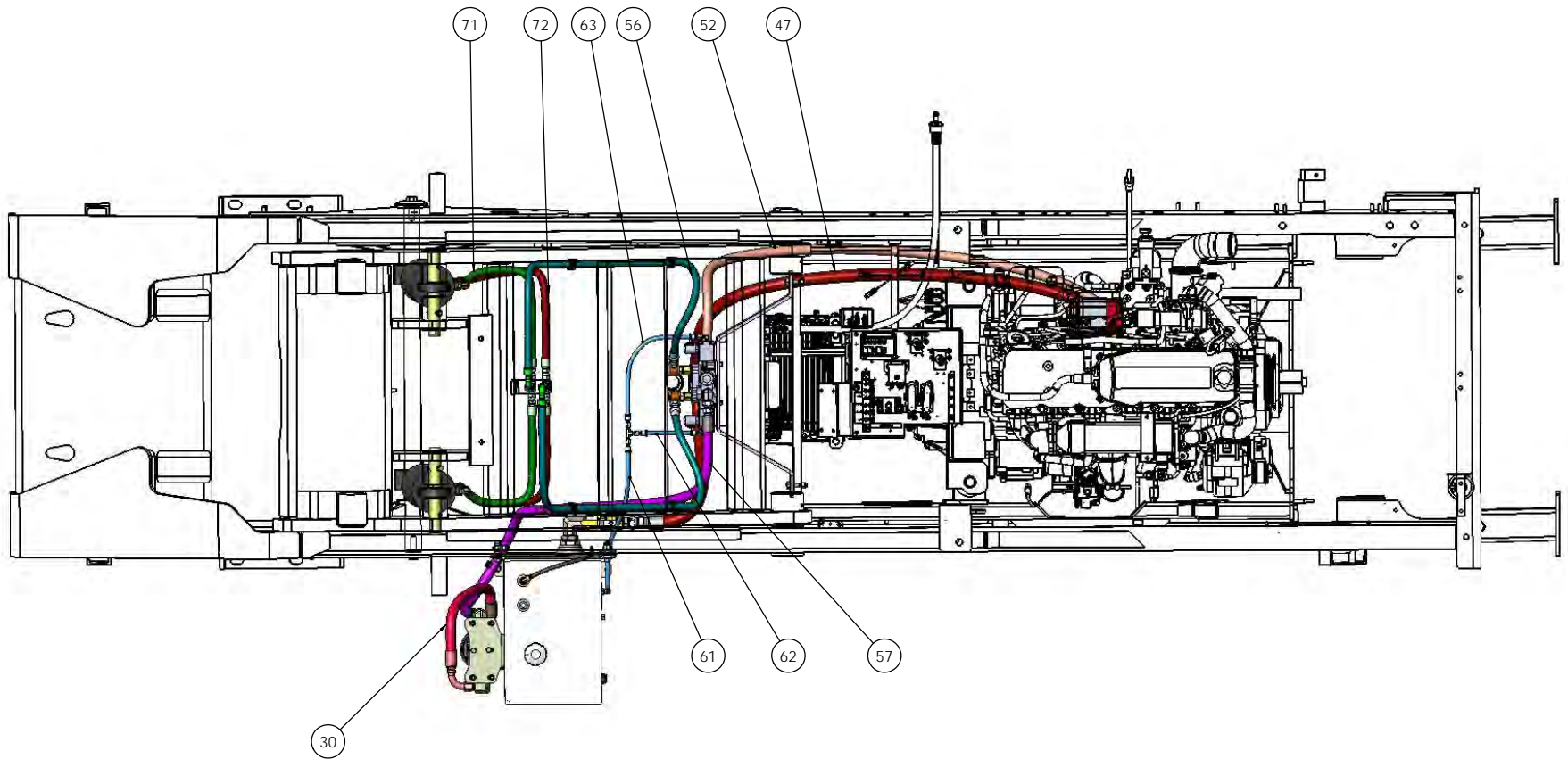


HYDRAULIC TANK REAR
& TOP VIEW

REFERENCES ARE IN FIGURES	DATE: 05/08/2017		TICO/TERMINAL SERVICE 66 CYPRUS ROAD DR. ROCKLAND, NC 27854 (843) 717-2226
DIMENSIONS: ALL IN INCHES DECIMALS: 0.0001 FRACTIONS: 1/16, 1/8, 1/4, 3/8, 1/2, 5/8, 3/4, 7/8 ANGULAR: 0.1° FUNCTIONAL: ± 1.0°	CHECKED: [] DRAWN: [] DESIGNED: [] APPROVED: []		
ALL RIGHTS TO ANY APPLICABLE PATENT, TRADE MARK, OR SERVICE MARK ARE RESERVED TO WECO TERMINAL SERVICE INC.	THE DIMENSIONS SHOWN AND SPECIFIED ON THIS DRAWING AND ANY OTHER DRAWINGS, SPECIFICATIONS, CONTRACTS, OR ORDERS SHALL BE GOVERNED BY THE DIMENSIONS AND SPECIFICATIONS SHOWN ON THIS DRAWING UNLESS OTHERWISE NOTED BY A NOTE OR DIMENSION LINE.	SIZE: D DWG. NO.: 721602-A1	REV: []
SEE NOTE T.N.A.	SCALE: 1:32 WEIGHT: 5843.41	SHEET 2 OF 4	



REFERENCES ARE IN FIGURES	SCALE	DATE	 TCCO/TERMINAL SERVICE 60 CYPRUS ROAD DR. ROCKLAND, SC 29726 (843) 717-2226
DIMENSIONS IN INCHES DECIMALS .1 .2 .3 .4 .5 .6 .7 .8 .9 1.0 1.1 1.2 1.3 1.4 1.5 1.6 1.7 1.8 1.9 2.0 2.1 2.2 2.3 2.4 2.5 2.6 2.7 2.8 2.9 3.0 3.1 3.2 3.3 3.4 3.5 3.6 3.7 3.8 3.9 4.0 4.1 4.2 4.3 4.4 4.5 4.6 4.7 4.8 4.9 5.0 5.1 5.2 5.3 5.4 5.5 5.6 5.7 5.8 5.9 6.0 6.1 6.2 6.3 6.4 6.5 6.6 6.7 6.8 6.9 7.0 7.1 7.2 7.3 7.4 7.5 7.6 7.7 7.8 7.9 8.0 8.1 8.2 8.3 8.4 8.5 8.6 8.7 8.8 8.9 9.0 9.1 9.2 9.3 9.4 9.5 9.6 9.7 9.8 9.9 10.0 10.1 10.2 10.3 10.4 10.5 10.6 10.7 10.8 10.9 11.0 11.1 11.2 11.3 11.4 11.5 11.6 11.7 11.8 11.9 12.0 12.1 12.2 12.3 12.4 12.5 12.6 12.7 12.8 12.9 13.0 13.1 13.2 13.3 13.4 13.5 13.6 13.7 13.8 13.9 14.0 14.1 14.2 14.3 14.4 14.5 14.6 14.7 14.8 14.9 15.0 15.1 15.2 15.3 15.4 15.5 15.6 15.7 15.8 15.9 16.0 16.1 16.2 16.3 16.4 16.5 16.6 16.7 16.8 16.9 17.0 17.1 17.2 17.3 17.4 17.5 17.6 17.7 17.8 17.9 18.0 18.1 18.2 18.3 18.4 18.5 18.6 18.7 18.8 18.9 19.0 19.1 19.2 19.3 19.4 19.5 19.6 19.7 19.8 19.9 20.0 20.1 20.2 20.3 20.4 20.5 20.6 20.7 20.8 20.9 21.0 21.1 21.2 21.3 21.4 21.5 21.6 21.7 21.8 21.9 22.0 22.1 22.2 22.3 22.4 22.5 22.6 22.7 22.8 22.9 23.0 23.1 23.2 23.3 23.4 23.5 23.6 23.7 23.8 23.9 24.0 24.1 24.2 24.3 24.4 24.5 24.6 24.7 24.8 24.9 25.0 25.1 25.2 25.3 25.4 25.5 25.6 25.7 25.8 25.9 26.0 26.1 26.2 26.3 26.4 26.5 26.6 26.7 26.8 26.9 27.0 27.1 27.2 27.3 27.4 27.5 27.6 27.7 27.8 27.9 28.0 28.1 28.2 28.3 28.4 28.5 28.6 28.7 28.8 28.9 29.0 29.1 29.2 29.3 29.4 29.5 29.6 29.7 29.8 29.9 30.0 30.1 30.2 30.3 30.4 30.5 30.6 30.7 30.8 30.9 31.0 31.1 31.2 31.3 31.4 31.5 31.6 31.7 31.8 31.9 32.0 32.1 32.2 32.3 32.4 32.5 32.6 32.7 32.8 32.9 33.0 33.1 33.2 33.3 33.4 33.5 33.6 33.7 33.8 33.9 34.0 34.1 34.2 34.3 34.4 34.5 34.6 34.7 34.8 34.9 35.0 35.1 35.2 35.3 35.4 35.5 35.6 35.7 35.8 35.9 36.0 36.1 36.2 36.3 36.4 36.5 36.6 36.7 36.8 36.9 37.0 37.1 37.2 37.3 37.4 37.5 37.6 37.7 37.8 37.9 38.0 38.1 38.2 38.3 38.4 38.5 38.6 38.7 38.8 38.9 39.0 39.1 39.2 39.3 39.4 39.5 39.6 39.7 39.8 39.9 40.0 40.1 40.2 40.3 40.4 40.5 40.6 40.7 40.8 40.9 41.0 41.1 41.2 41.3 41.4 41.5 41.6 41.7 41.8 41.9 42.0 42.1 42.2 42.3 42.4 42.5 42.6 42.7 42.8 42.9 43.0 43.1 43.2 43.3 43.4 43.5 43.6 43.7 43.8 43.9 44.0 44.1 44.2 44.3 44.4 44.5 44.6 44.7 44.8 44.9 45.0 45.1 45.2 45.3 45.4 45.5 45.6 45.7 45.8 45.9 46.0 46.1 46.2 46.3 46.4 46.5 46.6 46.7 46.8 46.9 47.0 47.1 47.2 47.3 47.4 47.5 47.6 47.7 47.8 47.9 48.0 48.1 48.2 48.3 48.4 48.5 48.6 48.7 48.8 48.9 49.0 49.1 49.2 49.3 49.4 49.5 49.6 49.7 49.8 49.9 50.0 50.1 50.2 50.3 50.4 50.5 50.6 50.7 50.8 50.9 51.0 51.1 51.2 51.3 51.4 51.5 51.6 51.7 51.8 51.9 52.0 52.1 52.2 52.3 52.4 52.5 52.6 52.7 52.8 52.9 53.0 53.1 53.2 53.3 53.4 53.5 53.6 53.7 53.8 53.9 54.0 54.1 54.2 54.3 54.4 54.5 54.6 54.7 54.8 54.9 55.0 55.1 55.2 55.3 55.4 55.5 55.6 55.7 55.8 55.9 56.0 56.1 56.2 56.3 56.4 56.5 56.6 56.7 56.8 56.9 57.0 57.1 57.2 57.3 57.4 57.5 57.6 57.7 57.8 57.9 58.0 58.1 58.2 58.3 58.4 58.5 58.6 58.7 58.8 58.9 59.0 59.1 59.2 59.3 59.4 59.5 59.6 59.7 59.8 59.9 60.0 60.1 60.2 60.3 60.4 60.5 60.6 60.7 60.8 60.9 61.0 61.1 61.2 61.3 61.4 61.5 61.6 61.7 61.8 61.9 62.0 62.1 62.2 62.3 62.4 62.5 62.6 62.7 62.8 62.9 63.0 63.1 63.2 63.3 63.4 63.5 63.6 63.7 63.8 63.9 64.0 64.1 64.2 64.3 64.4 64.5 64.6 64.7 64.8 64.9 65.0 65.1 65.2 65.3 65.4 65.5 65.6 65.7 65.8 65.9 66.0 66.1 66.2 66.3 66.4 66.5 66.6 66.7 66.8 66.9 67.0 67.1 67.2 67.3 67.4 67.5 67.6 67.7 67.8 67.9 68.0 68.1 68.2 68.3 68.4 68.5 68.6 68.7 68.8 68.9 69.0 69.1 69.2 69.3 69.4 69.5 69.6 69.7 69.8 69.9 70.0 70.1 70.2 70.3 70.4 70.5 70.6 70.7 70.8 70.9 71.0 71.1 71.2 71.3 71.4 71.5 71.6 71.7 71.8 71.9 72.0 72.1 72.2 72.3 72.4 72.5 72.6 72.7 72.8 72.9 73.0 73.1 73.2 73.3 73.4 73.5 73.6 73.7 73.8 73.9 74.0 74.1 74.2 74.3 74.4 74.5 74.6 74.7 74.8 74.9 75.0 75.1 75.2 75.3 75.4 75.5 75.6 75.7 75.8 75.9 76.0 76.1 76.2 76.3 76.4 76.5 76.6 76.7 76.8 76.9 77.0 77.1 77.2 77.3 77.4 77.5 77.6 77.7 77.8 77.9 78.0 78.1 78.2 78.3 78.4 78.5 78.6 78.7 78.8 78.9 79.0 79.1 79.2 79.3 79.4 79.5 79.6 79.7 79.8 79.9 80.0 80.1 80.2 80.3 80.4 80.5 80.6 80.7 80.8 80.9 81.0 81.1 81.2 81.3 81.4 81.5 81.6 81.7 81.8 81.9 82.0 82.1 82.2 82.3 82.4 82.5 82.6 82.7 82.8 82.9 83.0 83.1 83.2 83.3 83.4 83.5 83.6 83.7 83.8 83.9 84.0 84.1 84.2 84.3 84.4 84.5 84.6 84.7 84.8 84.9 85.0 85.1 85.2 85.3 85.4 85.5 85.6 85.7 85.8 85.9 86.0 86.1 86.2 86.3 86.4 86.5 86.6 86.7 86.8 86.9 87.0 87.1 87.2 87.3 87.4 87.5 87.6 87.7 87.8 87.9 88.0 88.1 88.2 88.3 88.4 88.5 88.6 88.7 88.8 88.9 89.0 89.1 89.2 89.3 89.4 89.5 89.6 89.7 89.8 89.9 90.0 90.1 90.2 90.3 90.4 90.5 90.6 90.7 90.8 90.9 91.0 91.1 91.2 91.3 91.4 91.5 91.6 91.7 91.8 91.9 92.0 92.1 92.2 92.3 92.4 92.5 92.6 92.7 92.8 92.9 93.0 93.1 93.2 93.3 93.4 93.5 93.6 93.7 93.8 93.9 94.0 94.1 94.2 94.3 94.4 94.5 94.6 94.7 94.8 94.9 95.0 95.1 95.2 95.3 95.4 95.5 95.6 95.7 95.8 95.9 96.0 96.1 96.2 96.3 96.4 96.5 96.6 96.7 96.8 96.9 97.0 97.1 97.2 97.3 97.4 97.5 97.6 97.7 97.8 97.9 98.0 98.1 98.2 98.3 98.4 98.5 98.6 98.7 98.8 98.9 99.0 99.1 99.2 99.3 99.4 99.5 99.6 99.7 99.8 99.9 100.0	CHECKED DATE	APPROVED DATE	
DIMENSIONS IN INCHES DECIMALS .1 .2 .3 .4 .5 .6 .7 .8 .9 1.0 1.1 1.2 1.3 1.4 1.5 1.6 1.7 1.8 1.9 2.0 2.1 2.2 2.3 2.4 2.5 2.6 2.7 2.8 2.9 3.0 3.1 3.2 3.3 3.4 3.5 3.6 3.7 3.8 3.9 4.0 4.1 4.2 4.3 4.4 4.5 4.6 4.7 4.8 4.9 5.0 5.1 5.2 5.3 5.4 5.5 5.6 5.7 5.8 5.9 6.0 6.1 6.2 6.3 6.4 6.5 6.6 6.7 6.8 6.9 7.0 7.1 7.2 7.3 7.4 7.5 7.6 7.7 7.8 7.9 8.0 8.1 8.2 8.3 8.4 8.5 8.6 8.7 8.8 8.9 9.0 9.1 9.2 9.3 9.4 9.5 9.6 9.7 9.8 9.9 10.0 10.1 10.2 10.3 10.4 10.5 10.6 10.7 10.8 10.9 11.0 11.1 11.2 11.3 11.4 11.5 11.6 11.7 11.8 11.9 12.0 12.1 12.2 12.3 12.4 12.5 12.6 12.7 12.8 12.9 13.0 13.1 13.2 13.3 13.4 13.5 13.6 13.7 13.8 13.9 14.0 14.1 14.2 14.3 14.4 14.5 14.6 14.7 14.8 14.9 15.0 15.1 15.2 15.3 15.4 15.5 15.6 15.7 15.8 15.9 16.0 16.1 16.2 16.3 16.4 16.5 16.6 16.7 16.8 16.9 17.0 17.1 17.2 17.3 17.4 17.5 17.6 17.7 17.8 17.9 18.0 18.1 18.2 18.3 18.4 18.5 18.6 18.7 18.8 18.9 19.0 19.1 19.2 19.3 19.4 19.5 19.6 19.7 19.8 19.9 20.0 20.1 20.2 20.3 20.4 20.5 20.6 20.7 20.8 20.9 21.0 21.1 21.2 21.3 21.4 21.5 21.6 21.7 21.8 21.9 22.0 22.1 22.2 22.3 22.4 22.5 22.6 22.7 22.8 22.9 23.0 23.1 23.2 23.3 23.4 23.5 23.6 23.7 23.8 23.9 24.0 24.1 24.2 24.3 24.4 24.5 24.6 24.7 24.8 24.9 25.0 25.1 25.2 25.3 25.4 25.5 25.6 25.7 25.8 25.9 26.0 26.1 26.2 26.3 26.4 26.5 26.6 26.7 26.8 26.9 27.0 27.1 27.2 27.3 27.4 27.5 27.6 27.7 27.8 27.9 28.0 28.1 28.2 28.3 28.4 28.5 28.6 28.7 28.8 28.9 29.0 29.1 29.2 29.3 29.4 29.5 29.6 29.7 29.8 29.9 30.0 30.1 30.2 30.3 30.4 30.5 30.6 30.7 30.8 30.9 31.0 31.1 31.2 31.3 31.4 31.5 31.6 31.7 31.8 31.9 32.0 32.1 32.2 32.3 32.4 32.5 32.6 32.7 32.8 32.9 33.0 33.1 33.2 33.3 33.4 33.5 33.6 33.7 33.8 33.9 34.0 34.1 34.2 34.3 34.4 34.5 34.6 34.7 34.8 34.9 35.0 35.1 35.2 35.3 35.4 			



REFERENCES ARE IN INCHES	DATE	7/20/2017	TICO/TERMINAL SERVICE
DRAWN	SCALE	AS SHOWN	AS CYRUS ROUSE DR.
CHECKED			ROCKLAND, NC 27854
BY			(843) 717-2226
DATE			
APPROVED			
REVISIONS			
REVISION	DESCRIPTION	DATE	
1	ISSUED FOR CONSTRUCTION	7/20/2017	
2			
3			
4			
5			
6			
7			
8			
9			
10			
11			
12			
13			
14			
15			
16			
17			
18			
19			
20			
21			
22			
23			
24			
25			
26			
27			
28			
29			
30			
31			
32			
33			
34			
35			
36			
37			
38			
39			
40			
41			
42			
43			
44			
45			
46			
47			
48			
49			
50			
51			
52			
53			
54			
55			
56			
57			
58			
59			
60			
61			
62			
63			
64			
65			
66			
67			
68			
69			
70			
71			
72			
73			
74			
75			
76			
77			
78			
79			
80			
81			
82			
83			
84			
85			
86			
87			
88			
89			
90			
91			
92			
93			
94			
95			
96			
97			
98			
99			
100			

WECO
 TITLE: HYDRAULIC SYSTEM, 2017-II
 SIZE: D
 DWG. NO.: 721602-A1
 REV: 1
 SCALE: 1:32 [WEIGHT: 5843.41] SHEET 4 OF 4

TICO PRO-SPOTTER				
HYDRAULIC SYSTEM, 2017-II 116"WB				721602
ITEM	PART #	QTY/M	DESCRIPTION	
	721602-A1	REF	HYDRAULIC SYSTEM, 2017-II 116"WB	
1	61962	1	PUMP - 20 GPM STEER PRIORITY	
2	60212	1	GASKET	
3	80175	2	BOLT - SOC HD M10 X 1.5 X 30MM LG	
4	85091	2	WASHER 3/8	
5	42018	1	FITTING, STR ADAPTER STEEL, 1" O-RING X 1" JIC - PUMP SUCTION	
6	40471	1	FITTING, STR ADAPTER STEEL, 3/4" O-RING X 3/4" JIC	
7	42006	1	FITTING, STR ADAPTER STEEL, 1/2" O-RING X 1/2" JIC	
8	420340	1	TANK-HYDRAULIC, 18.5 GAL, VENTED W/SAE PORTS, NON VENTED CAP, LH FILTER	
9	82418	4	BOLT, HEX 1/2-13 X 2 LG	
10	85027	4	NUT, NYLOK 1/2-13	
11	85104	8	FLATWASHER 1/2	
12	30174	1	SPACER - HYDRAULIC TANK	
13	40823	1	FITTING, ELBOW 90° STEEL, 3/8 TUBE X 3/8 NPT (@ TANK TOP)	
14	11004	3 FT	TUBING - NYLON AIR BRAKE BLACK - 3/8" DIA	
15	40593	1	P, CLAMP	
16	82371	1	BOLT, HEX 5/16-18 X 1" LG	
17	85024	1	NUT, NYLOK 5/16-18	
18	85112	2	WASHER 5/16	
19	420376	1	FITTING-ELBOW,SAE O-RING (-20) 1-5/8"-12 THREAD X 1 1/4"-11.5 NPT (MALE), STEEL	
20	420383	1	FITTING-ADAPTER, 1-1/4" NPT (FEMALE) X 1" NPT (MALE), STEEL	
21	40146	1	SHUT-OFF VALVE - 1"	
22	40961	1	FITTING, STR ADAPTER STEEL, 1" JIC X 1" NPT (@ SHUT-OFF)	
23	420382	2	FITTING, ELBOW,90°, 1 1/4 NPT (MALE) X 3/4" JIC (MALE)	
24	60556-2	1	FILTER HEAD	
25	60556-1	1	FILTER	
26	1026037	1	SEAL	
27	20100	2	U-BOLT (3/8" DIA x 2" ID x 3-5/8" OAL)	
28	85091	4	WASHER, 3/8" HRDN	
29	85025	4	NUT, 3/8"-16 NYLOK	
30	410344	1	HOSE ASS'Y - 3/4" X 25 HOSE X 30-1/16 OAL - FILTER TO TANK	
31	420379	1	FITTING-ELBOW,SAE O-RING (-16) 1-5/16-12 THREAD X 3/4"-14 NPT (MALE), STEEL	
32	40147	1	SHUT-OFF VALVE - 3/4"	
33	40957	1	FITTING-3/4" JIC X 3/4" NPT (MALE), STEEL	
33	82371	2	BOLT - HEX 5/16-18 X 1" LG - FILTER TO TANK	
34	85090	2	WASHER - 5/16	
35	85134	2	LOCKWASHER 5/16	
REV	DATE	BY		SHEET
A	8/8/2017	MAL		1 OF 3

TICO MANUFACTURING - RIDGELAND, SC 29936

