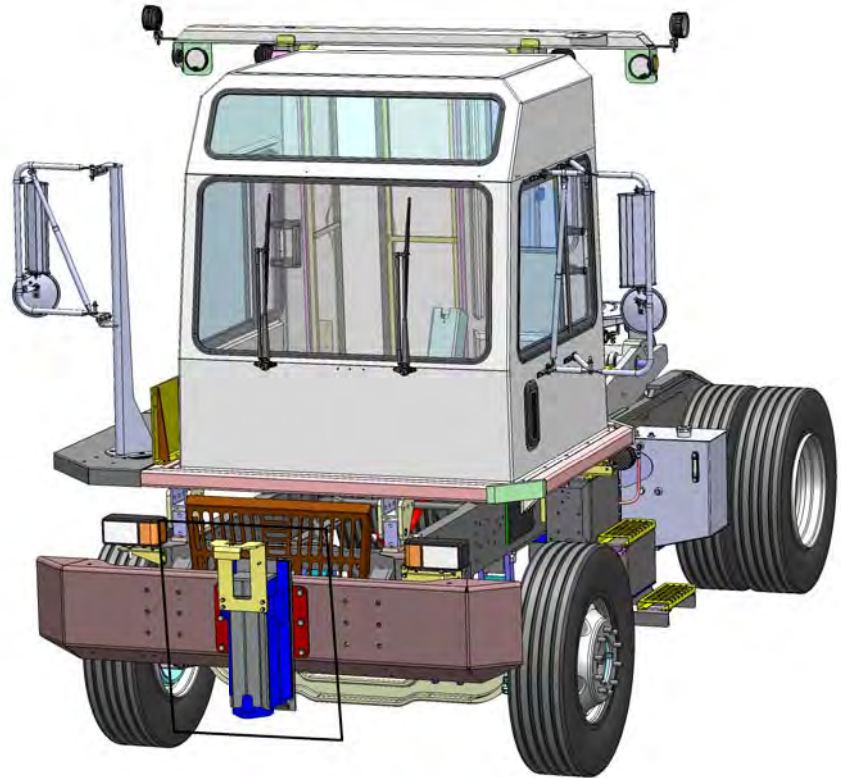


DETAIL  
SCALE 1 : 4



REV	DATE	BY	CHKD	APPV
1	6/13/2017	DAKWA	MAL	
2				
3				
4				
5				
6				
7				
8				
9				
10				

DIMENSIONS ARE IN INCHES UNLESS OTHERWISE SPECIFIED FINISH: <input type="checkbox"/> POLISH <input type="checkbox"/> BURNISH <input type="checkbox"/> ANODIZE TOLERANCES: <input type="checkbox"/> FRACTIONAL <input type="checkbox"/> DECIMAL DO NOT SCALE DRAWING	THE DOLLY MASTER SYSTEM AND ACCESSORIES ARE THE PROPERTY OF WELAND WRENCH. ALL RIGHTS ARE RESERVED. NO PART OF THIS DRAWING IS TO BE REPRODUCED OR TRANSMITTED IN ANY FORM OR BY ANY MEANS, ELECTRONIC OR MECHANICAL, INCLUDING PHOTOCOPYING, RECORDING, OR BY ANY INFORMATION STORAGE AND RETRIEVAL SYSTEM, WITHOUT THE WRITTEN PERMISSION OF WELAND WRENCH.	TITLE: DOLLY MASTER WITH CAMERA BRACKET SHEET: DWG. NO. 721579-A1 SCALE: 1:32   WEIGHT: 4573298MMET 1 OF 1
---	--	---

721579-A1

**TICO PRO-SPOTTER**

**DOLLY MASTER @ 17" HEIGHT, W/RAISED CAMERA BRACKET**

**721579**

ITEM	PART #	QTY/M	DESCRIPTION	
	721579-A1	REF	DOLLY MASTER @ 17" HEIGHT, W/RAISED CAMERA BRACKET	
	12579	REF	BUMPER MODIFICATION-DOLLY MASTER	
1	50287	1	DOLLY MASTER ASSEMBLY	
2	82419	6	BOLT 5/8-11 X 2 LG	
3	85094	12	FLATWASHER	
4	85028	6	NUT, NYLOCK	
5	122046	1	ASSEMBLY, DOLLY MASTER CAMERA BRACKET	
6	82405	4	BOLT, 3/8"-16 X 1 3/4" LG	
7	85091	4	WASHER, FLAT, 3/8"	
8	85135	4	WASHER, LOCK 3/8"	
9	12410	1	MOUNT PLATE - AIR VALVE	
10	12410-1	1	BACKER PLATE	
11	80361	2	CAPSCREW - 1/4-20 X 1 LG SS	
12	80311	4	WASHER 1/4 SS	
13	80360	2	NUT, NYLOCK 1/4 SS	
NOT SHOWN	40861	2	PUSH CONNECT, 90 Deg 1/4 MPT to 1/4 TUBE	
NOT SHOWN	40857	1	PUSH CONNECT, 90 Deg 1/8 MPT to 1/4 TUBE	
NOT SHOWN	40883	1	PUSH CONNECT, STR 1/4 MPT to 1/4 TUBE	
NOT SHOWN	40885	1	PUSH CONNECT, 90 Deg 1/8 MPT to 3/8 TUBE	
NOT SHOWN	40864	1	PUSH CONNECT, STR 1/4 MPT to 3/8 TUBE	
NOT SHOWN	11000	15 ft	HOSE 1/4" YL NYLON-SUPPLY, AIR VALVE FROM MANIFOLD	
NOT SHOWN	11004	15 ft	HOSE 3/8" BK NYLON- AIR VALVE TO LOWER CYL	
NOT SHOWN	11020	15 ft	HOSE 1/4" WH NYLON- AIR VALVE TO UPPER CYL	
NOT SHOWN	40846	1	PUSH CONNECT, BRASS 3/8 TUBE, 3/8NPT-STR	
NOT SHOWN	40895	1	PUSH CONNECT, 3/8 TUBE, 1/4 NPT-BRANCH TEE	
NOT SHOWN	11007	5 ft	TUBING-NYLON AIR BRAKE 3/8 RD	
NOT SHOWN	91974	1	PLATE- MONITOR, DOLLY MASTER CAMERA	
NOT SHOWN	800407	2	SCREW, HEX HD CAP, M8 X 1 X 20mm	
NOT SHOWN	85090	2	FWA 5/16	
NOT SHOWN	85134	2	LOCKWASHER, HELICAL SPRING 5/16	
<b>REV</b>	<b>DATE</b>	<b>BY</b>		<b>SHEET</b>
A	6/13/2017	MAL		1 OF 1