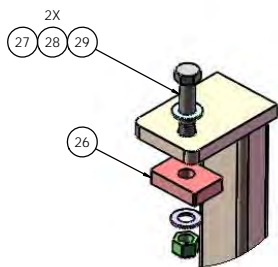
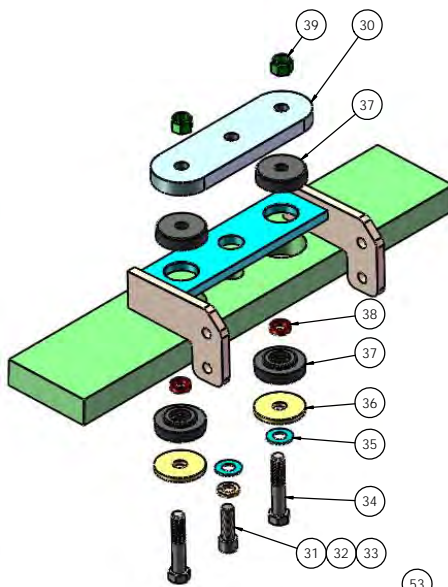


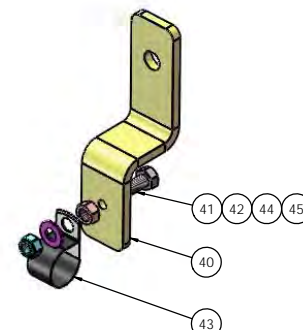
DETAIL D  
SCALE 2 : 3



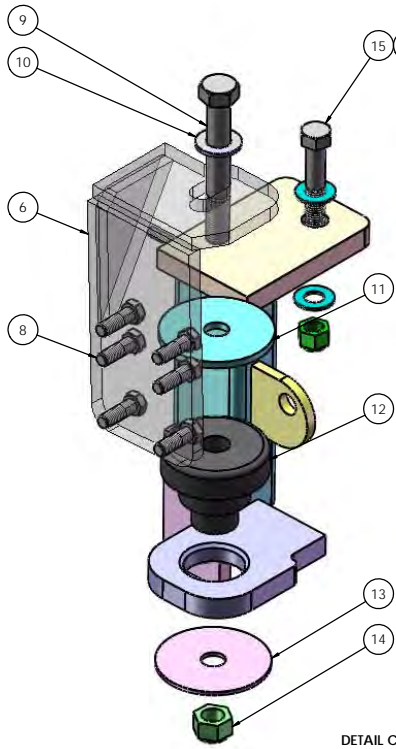
DETAIL G  
SCALE 1 : 3



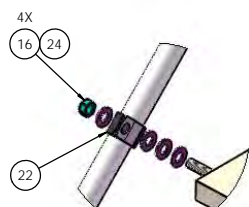
DETAIL H  
SCALE 1 : 3



DETAIL I  
SCALE 2 : 3



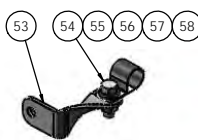
DETAIL C  
SCALE 1 : 2



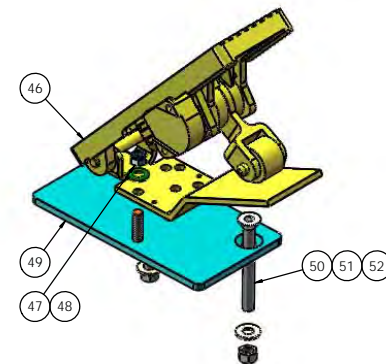
DETAIL E  
SCALE 1 : 2



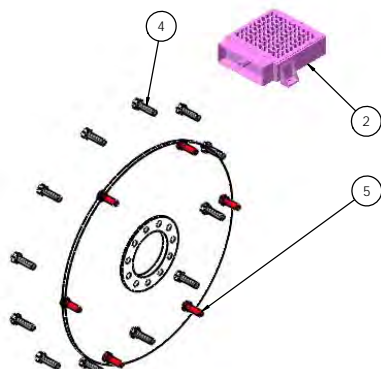
DETAIL F  
SCALE 1 : 3



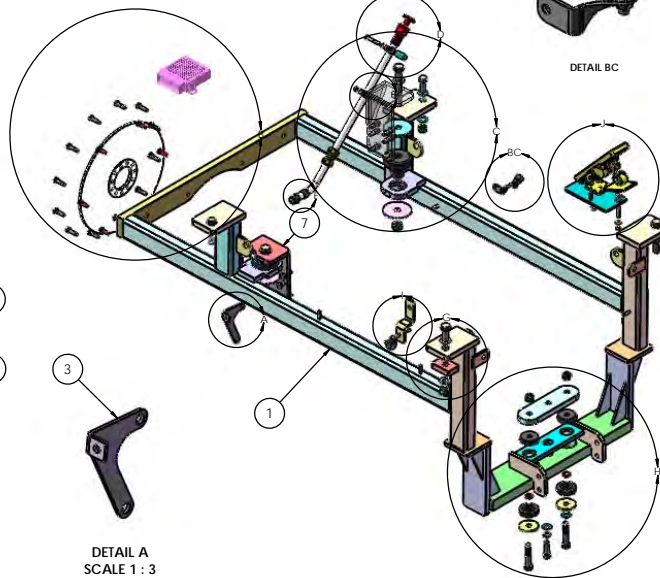
DETAIL BC



DETAIL J  
SCALE 1 : 2



DETAIL B  
SCALE 1 : 4



DETAIL A  
SCALE 1 : 3

NOTE: ENGINE & TRANSMISSION NOT SHOWN FOR CLARITY

DESIGNED BY: [ ]	DATE: 06/12/2014		TECHNICAL SERVICE
DRAWN BY: [ ]	DATE: 06/12/2014		ASSEMBLY, ENGINE & TRANSMISSION
CHECKED BY: [ ]	DATE: 06/12/2014	SIZE: D	DWG. NO: 721551
APPROVED BY: [ ]	DATE: 06/12/2014	REV: [ ]	SHEET 1 OF 1



**TICO PRO-SPOTTER**

**& TRANS 2016 QSB-III,160 HP @ 2200, RDS3000, TC-415,1-5TH -GEN V, LOW MOUNT TURBO, AC, EXPOR 721551**

ITEM	PART #	QTY/M	DESCRIPTION
26	42070	2	SPACER- ENG CRADLE
27	82519	2	BOLT-3/4-16NC X 4 1/4LG
28	85095	4	WASHER, FLAT 3/4
29	85029	2	LOCKNUT, NYLON, 3/4-16
30	60809	1	MOUNTING PL-FRT ENG
31	80341	1	BOLT-M16 X 2 X 45mm, 12 PT HD, 10.9
32	85138	1	LOCKWASHER, FLAT, 5/8
33	85094	1	WASHER-5/8
34	82474	2	BOLT-5/8-11UNC x 3 1/4 LG
35	85094	2	WASHER-5/8
36	60113	2	WASHER-5/8
37	60814	4	ISOLATOR FRT ENG MOUNT
38	10971	2	SPACER-FRT ENG MOUNT
39	85028	2	NUT-5/8-11UNC CRLK
40	60956	3	BRACKET-TRANS HOSE
41	82382	3	BOLT, HEX HEAD, 5/16-18 X 1-1/4 LONG
42	85013	3	NUT, JAM, 5/16
43	40593	3	P-CLAMP, 1"
44	85090	3	WASHER, FLAT, 5/16
45	85024	3	LOCKNUT, NYLON
46	60747	1	PEDAL ACCELERATOR - ELECTRONIC QSB
47	85090	3	WASHER, FLAT, 5/16
48	85024	3	LOCKNUT, NYLON
49	90632	1	MOUNTING PLATE ELECTRIC THROTTLE
50	83318	2	SC HC SCREW 3/8-16 x 3 1/2" Lg
51	85113	4	WASHER, FLAT 3/8
52	85036	2	LOCKNUT, 3/8-16
53	62101	1	BRACKET - ANGLE FOR HOSE, QSB3
54	82371	1	BOLT, HEX, 5/16-18 X 1
55	85134	1	LOCKWASHER, 5/16
56	85090	3	WASHER, FLAT 5/16
57	85024	1	LOCKNUT, NYLON, 5/16-18
58	40596	1	P-CLAMP, 5/8

REV	DATE	BY	SHEET
A	7/1/2020	BRN	2 OF

