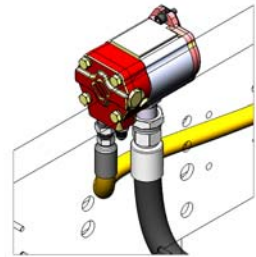
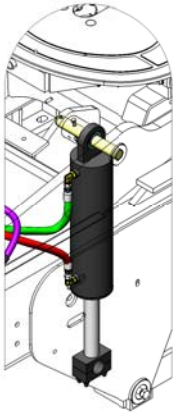
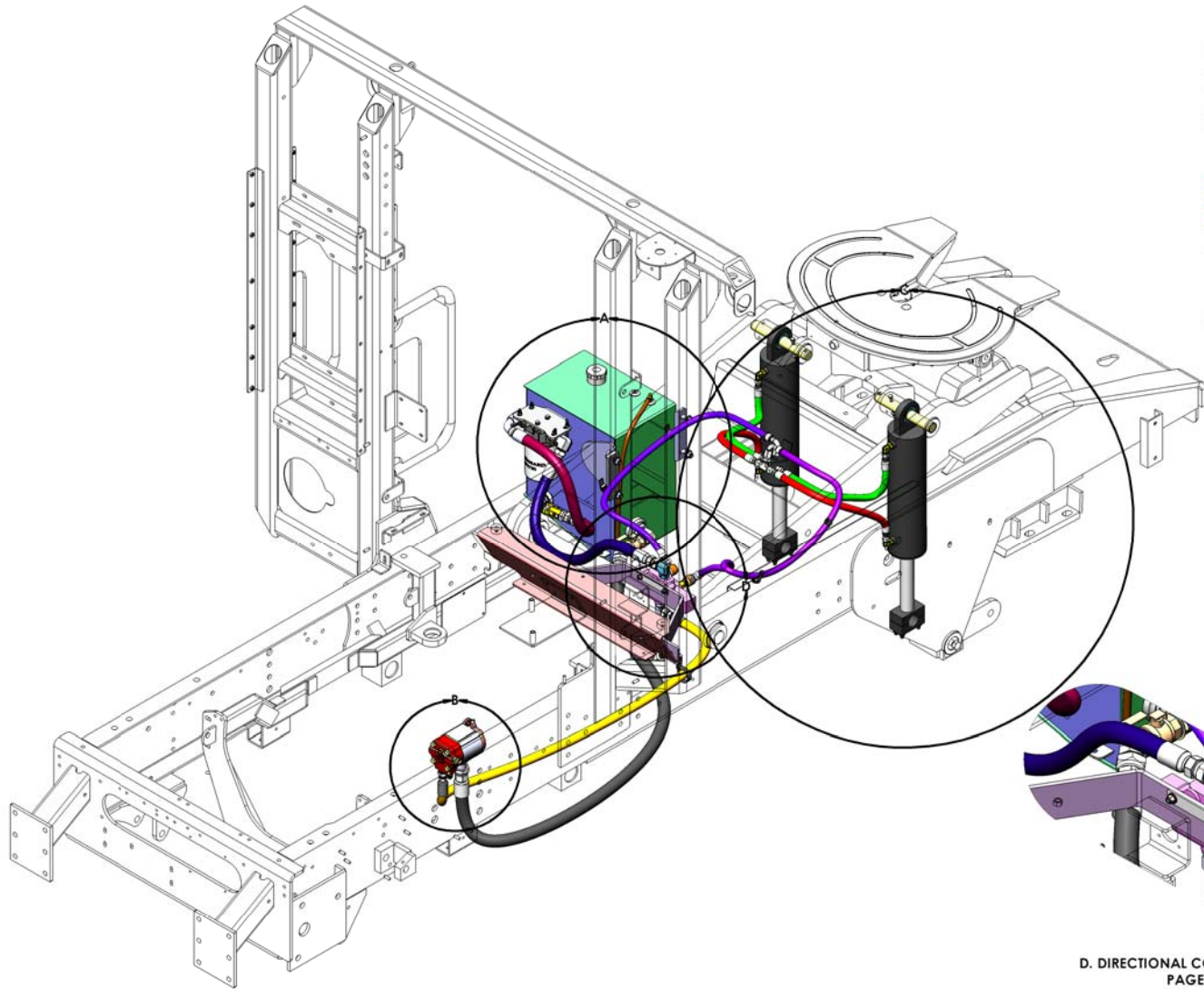


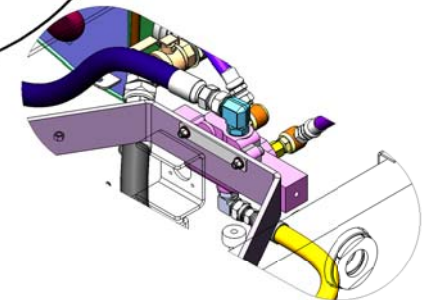
A. HYDRAULIC TANK & FITTINGS
PAGE 2



B. HYDRAULIC PUMP
PAGE 2



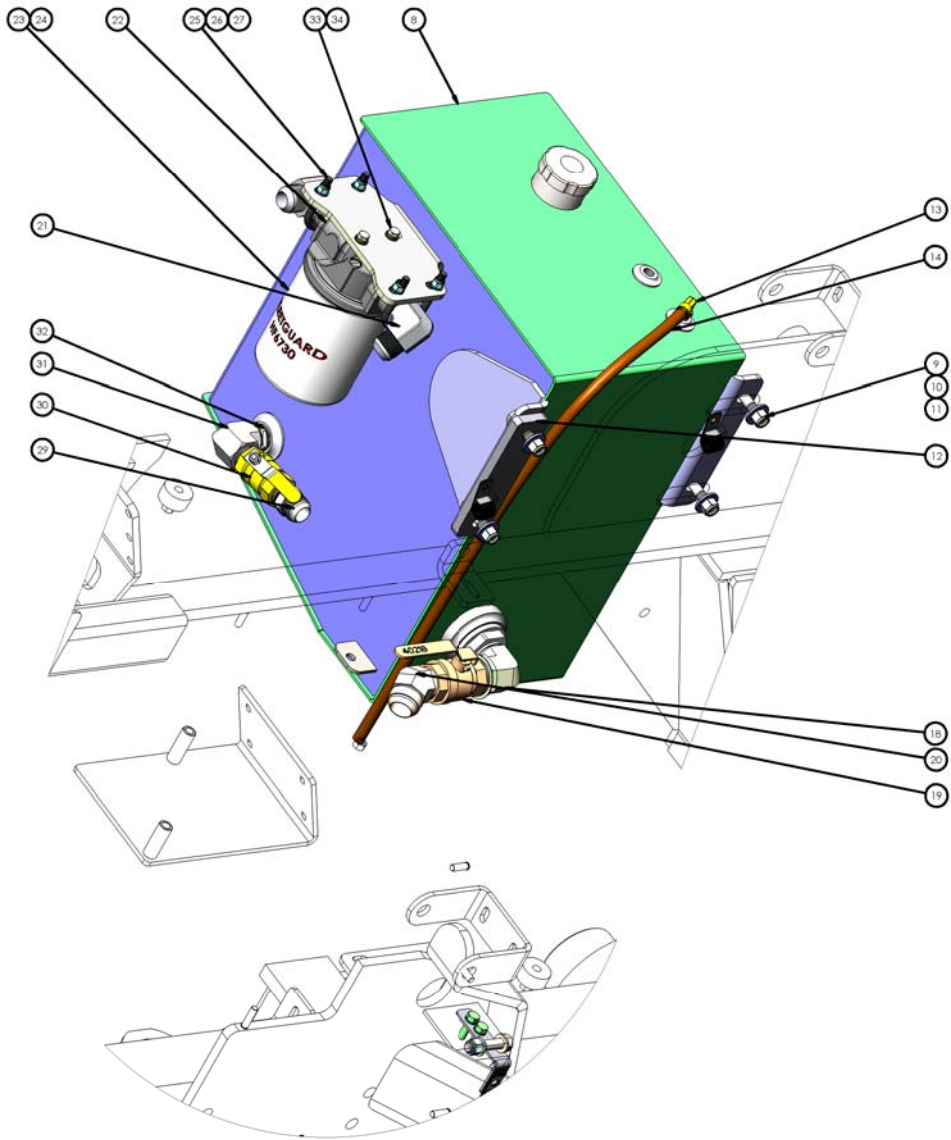
C. CYLINDERS & HOSES
PAGE 3



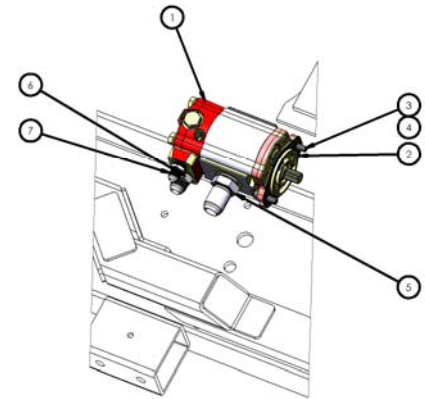
D. DIRECTIONAL CONTROL VALVE
PAGE 2

DATE	BY	CHKD	APP'D	REV
2017-11-17	AKA	AKA		1

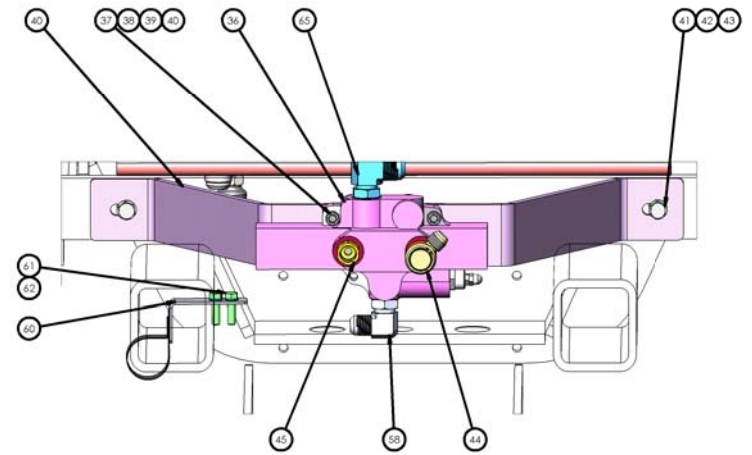
CHECKING: AKI, BKI, BCI DIMENSIONS: AKI, BKI, BCI MATERIAL: AKI, BKI, BCI FINISH: AKI, BKI, BCI FUNCTION: AKI, BKI, BCI	(DO NOT SCALE DRAWING) THE DIMENSIONS SHOWN ARE APPROXIMATE AND SHOULD BE USED AS A GUIDE ONLY. ALL DIMENSIONS SHALL BE TO UNLESS OTHERWISE SPECIFIED. ALL DIMENSIONS SHALL BE TO UNLESS OTHERWISE SPECIFIED. ALL DIMENSIONS SHALL BE TO UNLESS OTHERWISE SPECIFIED.	TITLE: HYDRAULIC SYSTEM SIZE: DWG. NO. 721549-A1 SCALE: 1:32 WEIGHT: SHEET 1 OF 3
---	---	---



HYDRAULIC TANK AND FITTINGS



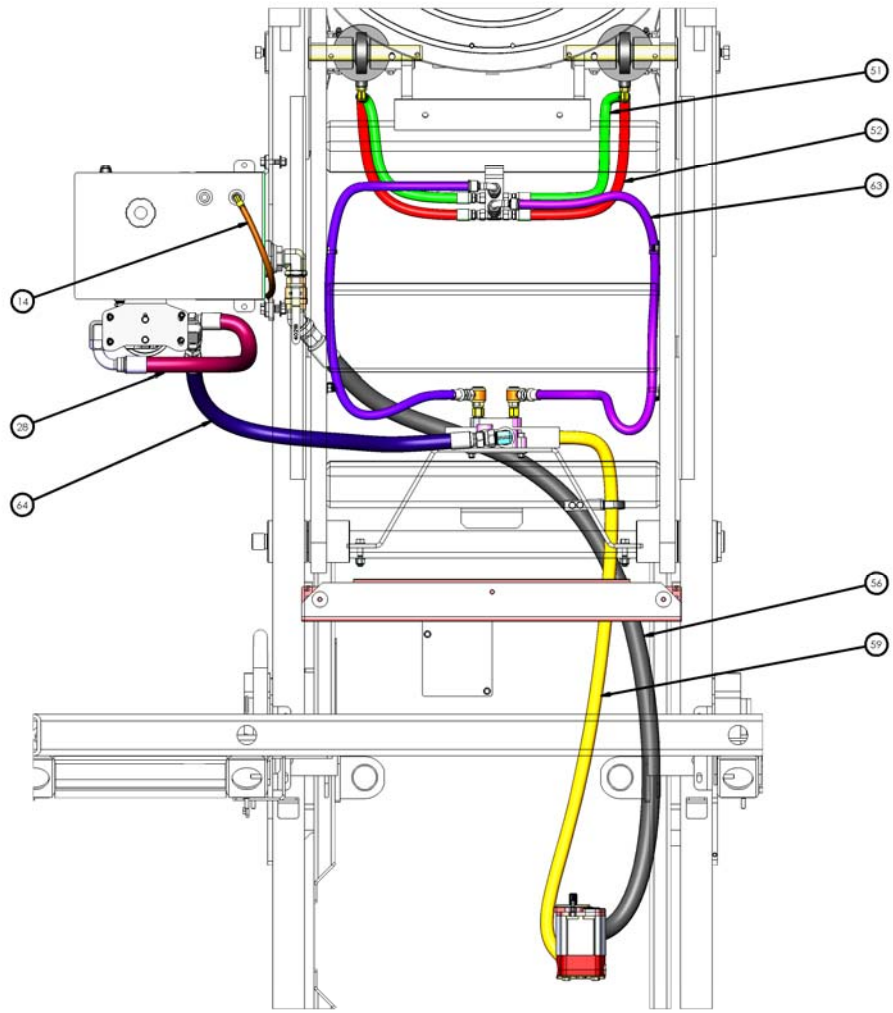
HYDRAULIC PUMP & FITTINGS



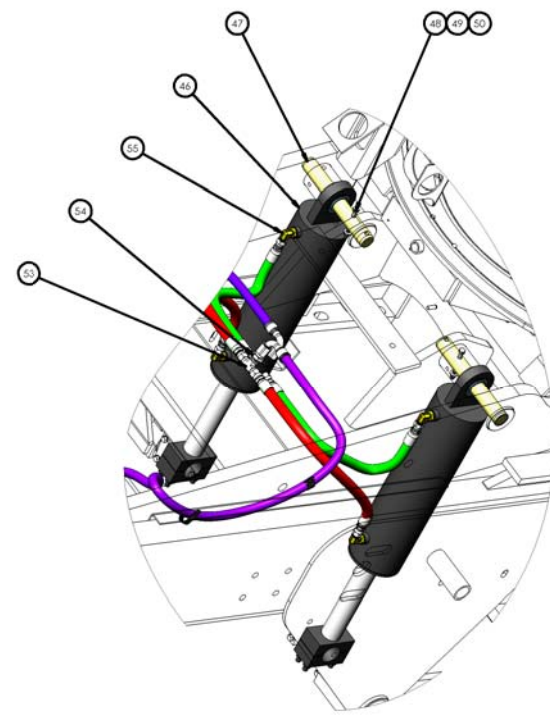
DIRECTIONAL CONTROL VALVE

REVISED: SEE HISTORY	DATE	BY	APP'D
CHANGES:			
REVISION:			
1			
2			
3			
4			
5			
6			
7			
8			
9			
10			
11			
12			
13			
14			
15			
16			
17			
18			
19			
20			
21			
22			
23			
24			
25			
26			
27			
28			
29			
30			
31			
32			
33			
34			
35			
36			
37			
38			
39			
40			
41			
42			
43			
44			
45			
46			
47			
48			
49			
50			
51			
52			
53			
54			
55			
56			
57			
58			
59			
60			
61			
62			
63			
64			
65			
66			
67			
68			
69			
70			
71			
72			
73			
74			
75			
76			
77			
78			
79			
80			
81			
82			
83			
84			
85			
86			
87			
88			
89			
90			
91			
92			
93			
94			
95			
96			
97			
98			
99			
100			

		TUCO TERMINAL SERVICE AN OXFORD INDUSTRIES COMPANY 800-543-7333 WWW.TUCO.COM
TITLE: HYDRAULIC SYSTEM		
SHEET NO. 1 Dwg. No. 721549-A1	REV 1	SCALE: 1:30 WEIGHT: SHEET 2 OF 3



HOSES



CYLINDERS & TEE CONNECTION

REVISED BY	DATE	DESCRIPTION	DATE	DESCRIPTION
DESIGNED BY	DATE	DESCRIPTION	DATE	DESCRIPTION
CHECKED BY	DATE	DESCRIPTION	DATE	DESCRIPTION
APPROVED BY	DATE	DESCRIPTION	DATE	DESCRIPTION
TITEL: HYDRAULIC SYSTEM				
SCALE: 1:30		TITLE: HYDRAULIC SYSTEM Dwg. No. 721549-A1 SHEET 3 OF 3		

TICO PRO-SPOTTER				
HYDRAULIC SYSTEM, 128" WB, ELEC, 20 GPM PRIORITY, RH FRAME				721549
ITEM	PART #	QTY/M	DESCRIPTION	
	721549-A1	REF	HYDRAULIC SYSTEM, 128" WB, ELEC, 20 GPM PRIORITY, RH FRAME	
1	61962	1	PUMP - 20 GPM STEER PRIORITY	
2	60212	1	GASKET	
3	80175	2	BOLT - SOC HD M10 X 1.5 X 30MM LG	
4	85091	2	WASHER 3/8	
5	42019	1	STR ADAPTER - 1" ORB TO 1-1/4 JIC - PUMP SUCTION	
6	40471	1	STR ADAPTER - 3/4" O-RING TO 3/4" JIC	
7	42006	1	STR ADAPTER - 1/2" O-RING TO 1/2" JIC	
8	420341	1	TANK-HYDRAULIC, 18.5 GAL, VENTED W/SAE PORTS, NON VENTED CAP, RH FILTER	
9	82418	4	BOLT, HEX 1/2-13 X 2 LG	
10	85027	4	NUT, NYLOK 3/8-16	
11	85104	8	FLATWASHER 1/2	
12	30174	1	SPACER - HYDRAULIC TANK	
13	40823	1	ELBOW 90 DEG - 3/8 TUBE TO 3/8 NPT @ TANK TOP	
14	11004	3 FT	TUBING - NYLON AIR BRAKE BLACK - 3/8" DIA	
NOT SHOWN	40593	1	P=CLAMP	
15	82371	1	BOLT, HEX 5/16-18 X 1" LG	
16	85024	1	NUT, NYLOK 5/16-18	
17	85112	2	WASHER 5/16	
18	420376	1	FITTING-ELBOW,SAE O-RING (-20) 1-5/8"-12 THREAD X 1 1/4"-11.5 NPT (MALE), STEEL	
19	40218	1	BALL VALVE - 1-1/4 NPT	
20	40984	1	ELBOW 45 DEF 1-1/4 NPT TO 1-1/4 JIC	
21	40933	2	FITTING, ELBOW, 90° STEEL, 1 JIC TO 1 1/4 NPT(@FILTER)	
22	60556-2	1	FILTER HEAD	
23	60556-1	1	FILTER	
24	1026037	1	SEAL	
25	20100	2	U-BOLT (3/8" DIA x 2" ID x 3-5/8" OAL)	
26	85091	4	WASHER, 3/8" HRDN	
27	85025	4	NUT, 3/8"-16 NYLOK	
28	41218	1	HOSE - 1" X 25 HOSE X 30-1/16 OAL - FILTER TO TANK	
29	40961	1	STR ADAPTER - 1" PIPE TO 1" JIC @ SHUT-OFF	
30	40146	1	SHUT-OFF VALVE - 1"	
31	420377	1	FITTING-ELBOW,SAE O-RING (-16) 1-5/16-12 X 1"-11.5 NPT (MALE), STEEL	
32	42182	1	REDUCER BUSHING, 1" TO 3/4" STEEL	
33	82371	2	BOLT - HEX 5/16-18 X 1" LG - FILTER TO TANK	
34	85090	2	WASHER - 5/16	
35	85134	2	LOCKWASHER 5/16	
REV	DATE	BY		SHEET
A	3/23/2017	MAL		1 OF 3

