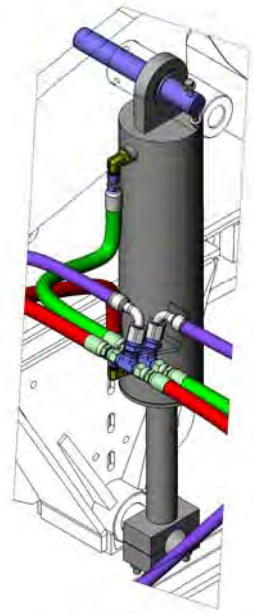
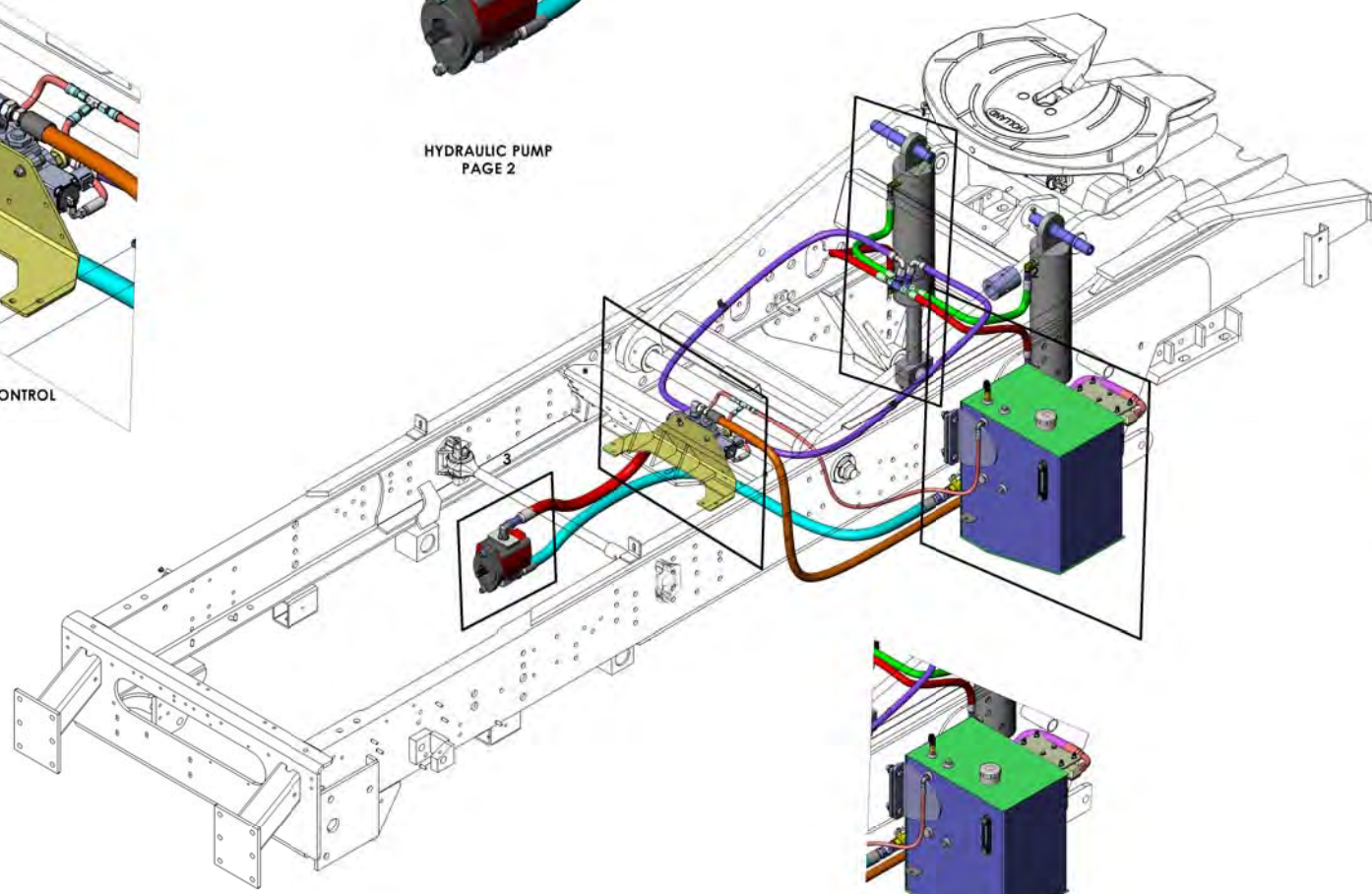


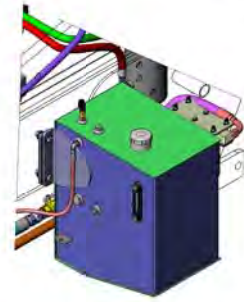
DIRECTIONAL CONTROL VALVE
PAGE 3



HYDRAULIC PUMP
PAGE 2



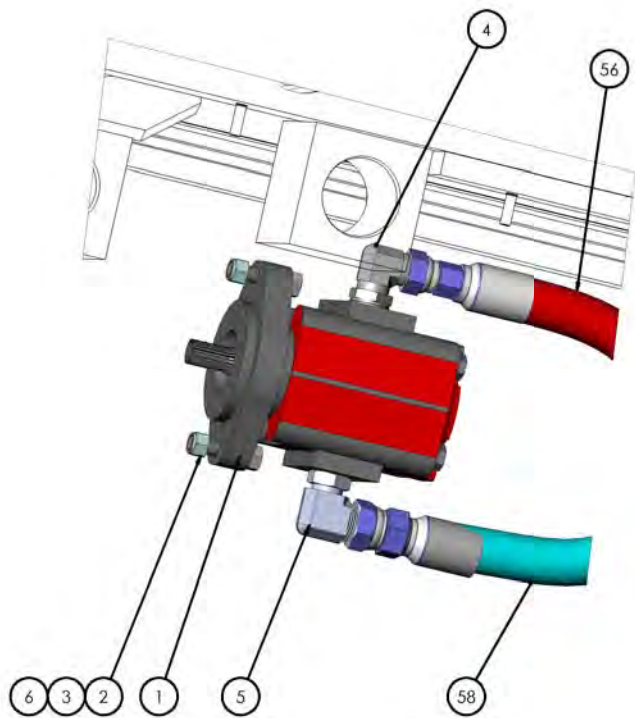
HYDRAULIC CYLINDERS
PAGE 3



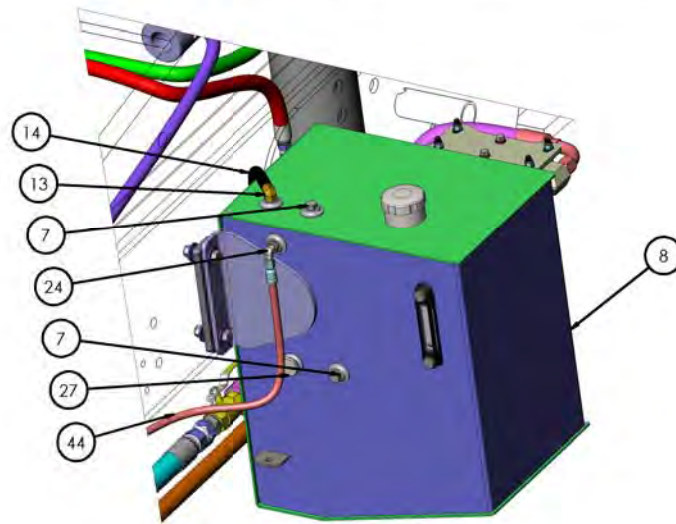
HYDRAULIC TANK
PAGE 2

PROJECT NO. 721544-D1 DRAWING NO. 721544-D1 SHEET NO. 1 OF 3 DATE: 11/11/2014 TIME: 10:00 AM DRAWN BY: [Name] CHECKED BY: [Name] APPROVED BY: [Name]	TITLE: HYDRAULIC SYSTEM SCALE: 1:24 WEIGHT: 4525.48 SHEET 1 OF 3	TCO MANUFACTURING 400 CYPRESS RIDGE CIR. ROCKFORD, IL 61106 (815) 717-2200
---	---	---

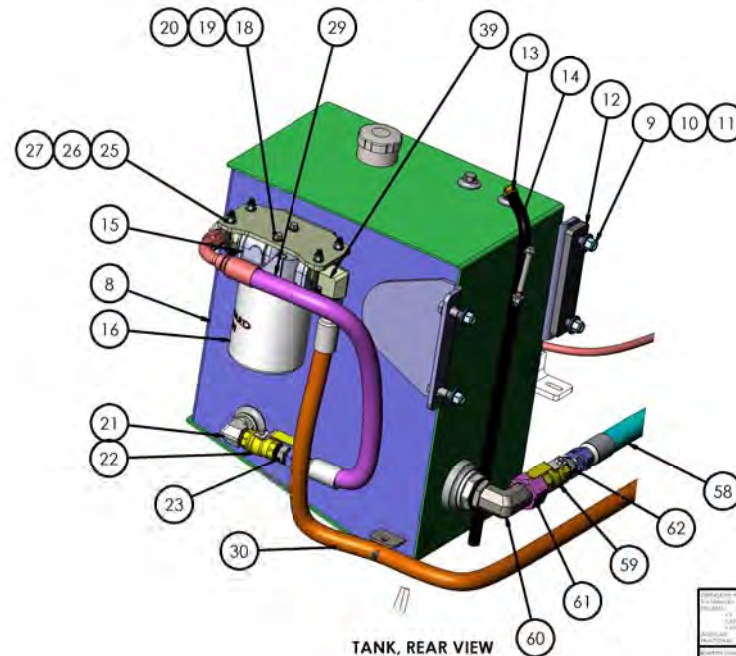
721544-D1



HYDRAULIC PUMP



TANK, FRONT VIEW



TANK, REAR VIEW

		TUCO INTERNATIONAL SERVICE AN O'NEILL PUMP CO. OF BOSTON, MASSACHUSETTS, U.S.A.
TITLE: HYDRAULIC SYSTEM		DIV. NO. 721544-D1
SCALE: 1:24 WEIGHT: 4525.48 SHEET 2 OF 3		REV.
DATE:	DESIGNED BY:	CHECKED BY:
DRAWN BY:	APPROVED BY:	DATE:

D 721544-D1

TICO PRO-SPOTTER				
HYDRAULIC SYSTEM, 70 K, 128" WB, ELEC 16 GPM PUMP				721544
ITEM	PART #	QTY/M	DESCRIPTION	
	721544-D1	REF	HYDRAULIC SYSTEM	
1	60943	1	PUMP HYD PTO 16 GPM @ 2100 RPM CW	
2	82418	1	BOLT, HEX, 1/2-13 X 2 LG	
3	85137	1	LOCKWASHER, 1/2	
4	60939	1	FITTING, ADAPTER, ELBOW 3/4 M. ORING to 3/4 JICM, VITON	
5	60558	1	FITTING, ELBOW, 90 Deg 1" O-RING to 1" JIC	
NOT SHOWN	90921-1	1	BRACKET, PUMP SUPPORT	
NOT SHOWN	62244	1	BRACKET, PTO STANDOFF	
NOT SHOWN	82440	1	BOLT, 1/2-13 X 2-1/2 LG	
6	85027	1	LOCKNUT, NYLOCK, 1/2-13	
7	420374	2	FITTING-PLUG,SAE O-RING (-06) 9/16"-18 THREAD, STEEL	
8	420341	1	TANK-HYDRAULIC, 18.5 GAL, VENTED W/SAE PORTS, NON VENTED CAP, RH FILTER	
9	82418	4	BOLT, HEX, 1/2-13 X 2 LG	
10	85104	4	WASHER, FLAT, 1/2	
11	85027	4	LOCKNUT, NYLOCK, 1/2-13	
12	30174	1	SPACER-TANK MOUNT	
13	40823	1	FITTING, ELBOW 90°, BRASS, 3/8 TUBE X 3/8 MNPT	
14	11004	3 ft	TUBING-NYLON AIR BRAKE 3/8 BK	
NOT SHOWN	40593	1	P-CLAMP	
NOT SHOWN	82371	1	BOLT, 5/16"-18 UNC x 1" Lg	
NOT SHOWN	85035	1	NUT, 5/16" UNC	
15	60556-2	1	BASE-FILTER HEAD	
16	60556-1	1	FILTER-HYD	
17	1026037	1	SEAL-FILTER	
18	82371	2	BOLT, 5/16"-18 UNC x 1" Lg	
19	85112	2	WASHER-FLAT, 5/16	
20	85134	2	LOCKWASHER-5/16	
21	420379	1	FITTING, ELBOW 90° #16"O"-RING X 3/4" MNPT	
22	40147	1	VALVE-SHUT OFF-3/4 FNPT	
23	40957	1	FITTING - STR, #12 JIC X 3/4 MNPT	
24	42029	1	FITTING,ELBOW 90 DEGREE 3/8" O-RING TO 1/4"JIC	
25	20100	2	U-BOLT (3/8" DIA x 2" ID x 3-5/8" OAL)	
26	85091	4	WASHER, 3/8" HRDN	
27	85025	4	NUT, 3/8"-16 NYLON	
28	420375	1	FITTING-PLUG,SAE O-RING (-08) 3/4"-16 THREAD, STEEL	
29	410344	1	HOSE ASSY-3/4" X 25"LG TANK to FILTER	
30	410342	1	HOSE ASSY-3/4" X 88 1/2"LG FILTER to CONTROL VALVE	
REV	DATE	BY		SHEET
D	6/5/2017	MAL		1 OF 2

TICO PRO-SPOTTER				
HYDRAULIC SYSTEM, 70 K, 128" WB, ELEC 16 GPM PUMP				721544
ITEM	PART #	QTY/M	DESCRIPTION	
31	62302	1	VALVE, ELECTRONIC DIRECTIONAL CONTROL	
32	121633	1	BRACKET, DCV, PSI 8.8L	
33	62299	1	SPACER-VALVE MOUNT	
34	80171	2	SOC HD SCREW, 3/8 x 2 Lg	
35	85113	2	WASHER-3/8	
36	85036	2	LOCKNUT, 3/8"-16 UNC	
37	42073	2	FITTING, ORB PORT BUSHING-1/2M ORB to 1/2F ORB	
38	41188	2	FITTING, ELBOW 90° STEEL, 1/2 "O"-RING TO 5/8 JIC SWIVEL	
39	420382	2	FITTING, ELBOW,90°,1-1/4" NPT (MALE) X 3/4" JIC (MALE),STEEL	
40	10624	2	FITTING, ELBOW 90°, 3/4" "O"-RING/#12 JIC	
41	42083	1	FITTING, TEE JIC, NO. 4	
42	40472	2	FITTING, ELBOW 90°, 1/8 NPT"/#4 JIC	
43	40354	1	HOSE ASS'Y - NO 4, STR/STR, 41-1/16" OAL, TANK/TEE	
44	41104	1	HOSE ASS'Y - NO 4, STR/90°, 8-9/16" OAL, TEE/VALVE	
45	41058	1	HOSE ASS'Y - NO 4, STR/90°, 14-9/16" OAL, TEE/VALVE	
46	50050	2	FITTING, TEE, BULKHEAD - 5/8 JIC	
47	50050-2	2	NUT, 7/8-14 THD	
48	30148-1	2	CYLINDER, 5" MAIN HYDRAULIC	
49	30187-12	2	PIN, BOOM UPPER CYLINDER	
50	82493	2	BOLT, HEX 3/8-16 X 2 LG	
51	85113	4	WASHER 3/8	
52	85025	2	LOCKNUT, NYLON 3/8-16	
53	40460	4	FITTING, ELBOW 90°, 1/2 "O"-RING TO 1/2 JIC	
54	41231	2	HOSE ASSY, HYD 1/2" X 27 1/2"OAL, CYL TO TEE - RETRACT	
55	41230	2	HOSE ASSY, HYD 1/2" X 24 3/4"OAL, CYL TO TEE EXTEND	
56	40364	1	HOSE ASSY, HYD 3/4" X 26"LG, VALVE TO PUMP	
57	41279	2	HOSE ASS'Y, HYD 5/8" x 58-5/8" OAL, VALVE TO TEE	
58	40748	1	HOSE ASSY, HYD 1" X 68 1/2" OAL LG SUCTION, TANK TO PUMP	
59	40146	1	VALVE-SHUT OFF-1 NPT	
60	420376	1	FITTING, ELBOW,SAE O-RING (-20) 1-5/8"-12 THREAD X 1 ¼"-11.5 NPT (MALE), STEEL	
61	420383	1	FITTING, ADAPTER, 1-1/4" NPT (FEMALE) X 1" NPT (MALE), STEEL	
62	40961	1	FITTING,1 JIC TO 1 PIPE	
NOT SHOWN	62447	1	HARNESS, BOOM ELEVATION CONTROL, MOMENTARY SWITCH	
REV	DATE	BY		SHEET
D	6/5/2017	MAL		2 OF 2

TICO MANUFACTURING - RIDGELAND, SC 29936