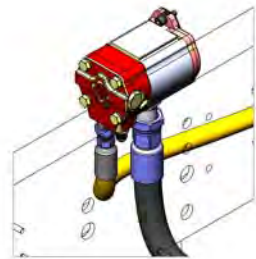
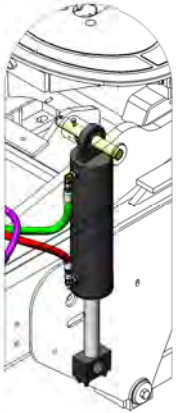
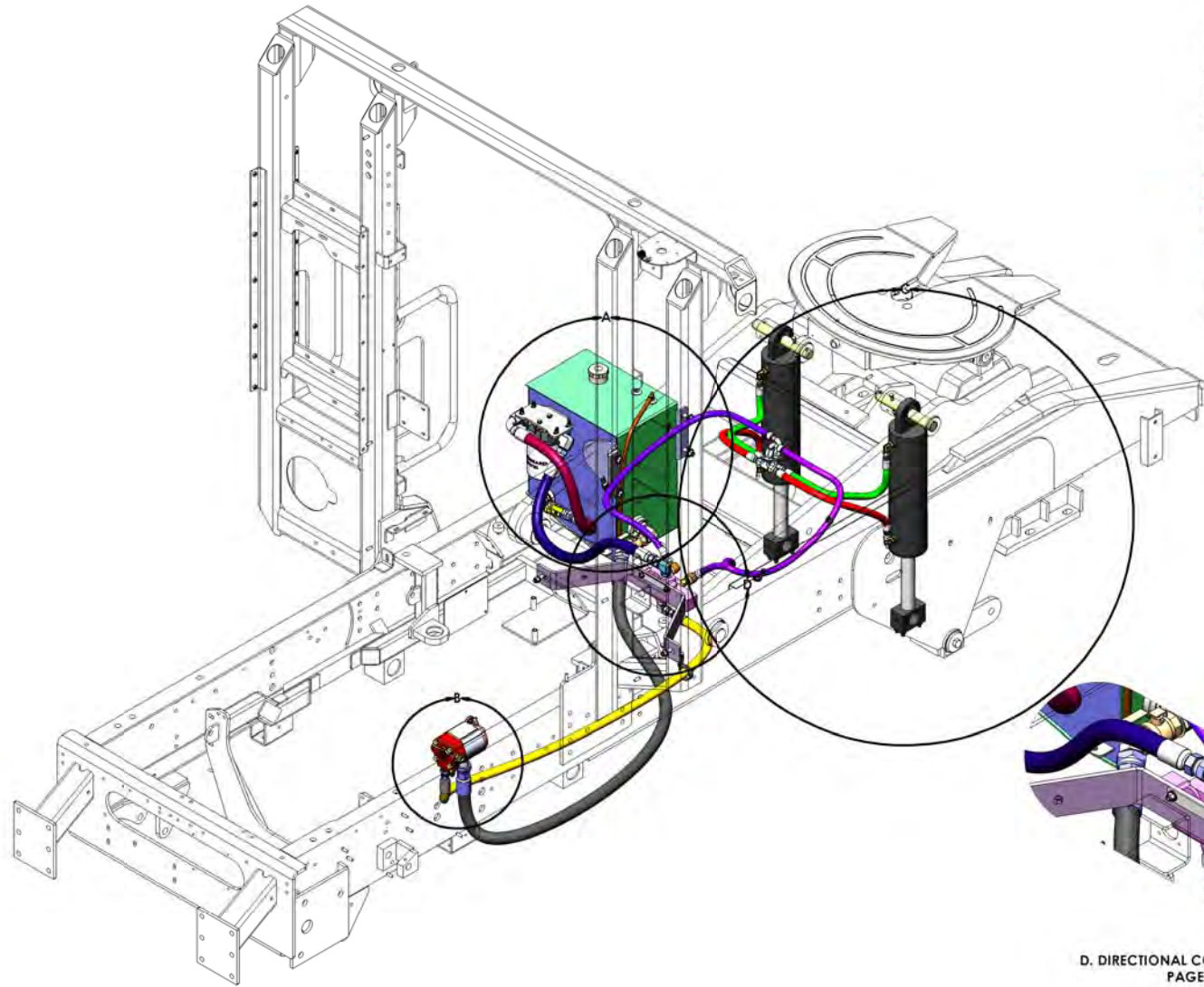


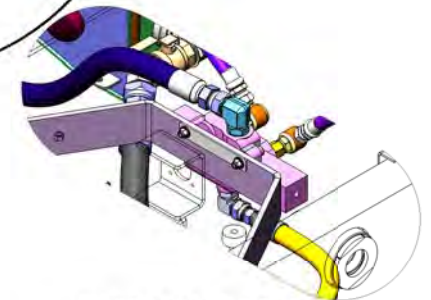
A. HYDRAULIC TANK & FITTINGS
PAGE 2



B. HYDRAULIC PUMP
PAGE 2

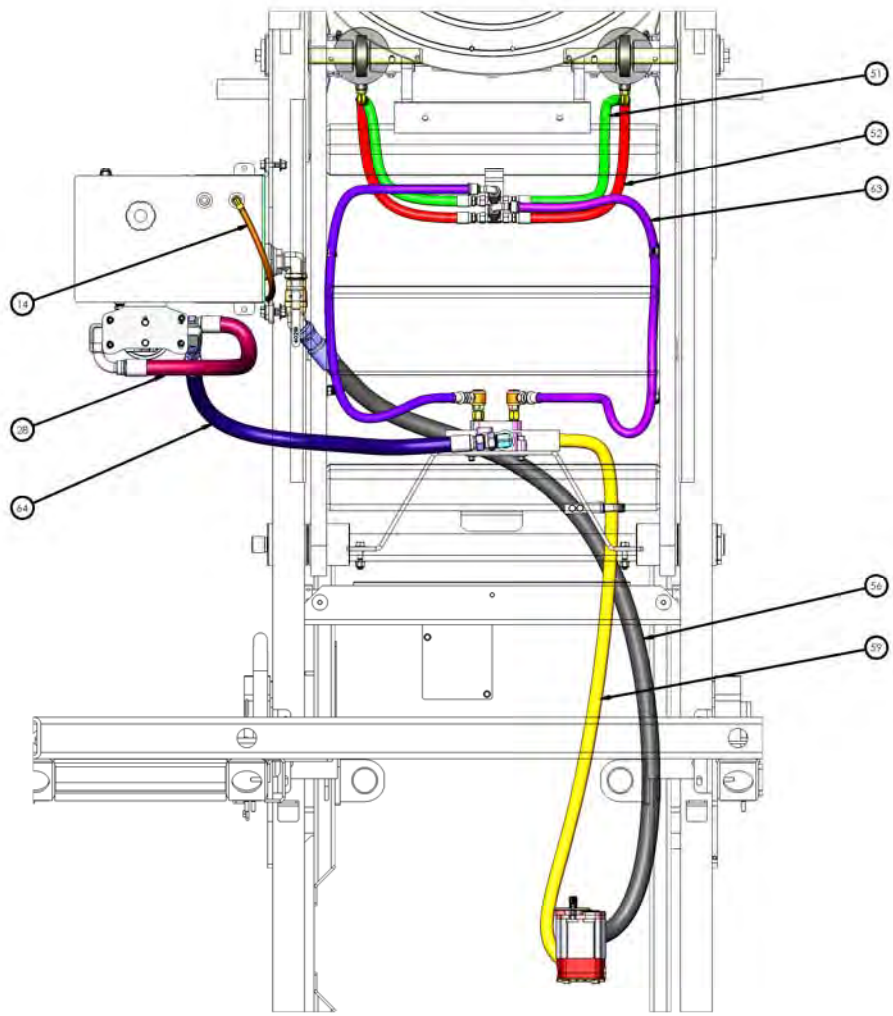


C. CYLINDERS & HOSES
PAGE 3

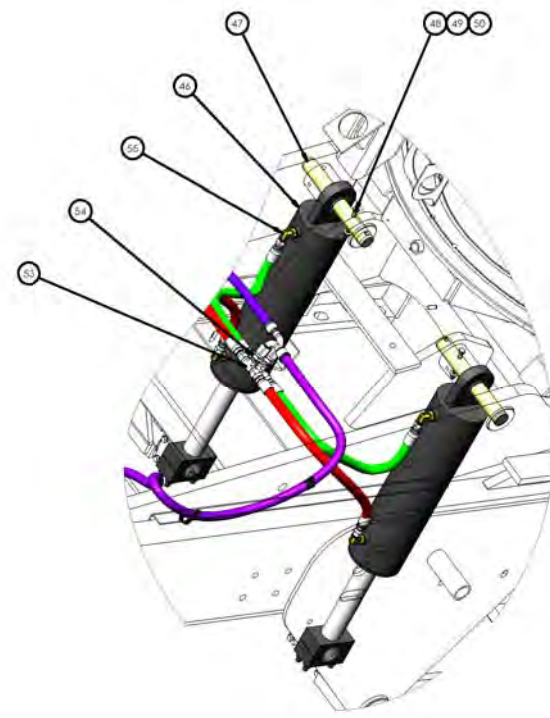


D. DIRECTIONAL CONTROL VALVE
PAGE 2

TITLE: HYDRAULIC SYSTEM SHE Dwg. NO. 721539-A1 SCALE: 1:30 WEIGHT: SHEET 1 OF 3		TCO MANUFACTURING 400 CEDAR RIDGE DR. ROCKFORD, IL 61108 (815) 717-2000	
REVISIONS: 1. 01/15/15 2. 02/10/15	APPROVED: [Signature]	DATE: 01/15/15	DRAWN BY: [Name]



HOSES



CYLINDERS & TEE CONNECTION

REVISED BY	DATE	BY	DATE	REVISION
DESIGNED BY				
CHECKED BY				
APPROVED BY				
HYDRAULIC SYSTEM				
Dwg. No. 721359-A1		REV		
SCALE: 1:30		SHEET 3 OF 3		

721359-A1

TICO PRO-SPOTTER				
HYDRAULIC SYSTEM, ELEC, 20 GPM STEER PRIORITY				721539
ITEM	PART #	QTY/M	DESCRIPTION	
	721539-A1	REF	HYDRAULIC SYSTEM, ELEC, 20 GPM PRIORITY	
1	61962	1	PUMP, 20 GPM STEER PRIORITY	
2	60212	1	GASKET	
3	80175	2	BOLT, SOCKET HEAD M10 X 1.5 X 30MM LONG	
4	85091	2	WASHER, 3/8	
5	42019	1	FITTING, STR ADAPTER STEEL, 1" O-RING X 1 1/4" JIC	
6	40471	1	FITTING, STR ADAPTER STEEL, 3/4" O-RING X 3/4" JIC	
7	42006	1	FITTING, STR ADAPTER STEEL, 1/2" O-RING X 1/2" JIC	
8	420341	1	TANK, HYDRAULIC, 18.5 GAL, VENTED W/SAE PORTS	
9	82418	4	BOLT,HEX, 1/2-13 X 2 LONG	
10	85104	8	WASHER, FLAT, 1/2	
11	85027	4	LOCKNUT, NYLON 1/2-13	
12	30174	1	SPACER, HYDRAULIC TANK	
13	40823	1	FITTING, ELBOW 90° STEEL, 3/8 TUBE X 3/8 NPT (@TANK TOP)	
14	11004	3FT	TUBING, NYLON AIR BRAKE BLACK, 3/8" DIAMETER	
NOT SHOWN	40593	1	P-CLAMP	
15	82371	1	BOLT, HEX, 5/16-18 X 1" LONG	
16	85112	2	WASHER, FLAT,5/16	
17	85024	1	LOCKNUT, NYLON 5/16-18	
18	420376	1	FITTING, ELBOW, SAE O-RING (-20) 1 5/8-12 THREAD X 1 1/4 - 11	
19	40218	1	BALL VALVE, 1 1/4 NPTF	
20	40984	1	FITTING, ELBOW, 45° STEEL, 1 1/4JIC TO 1 1/4 NPT	
21	40933	2	FITTING, ELBOW, 90° STEEL, 1 JIC X 1 1/4 NPT(@FILTER)	
22	60556-2	1	FILTER HEAD	
23	60556-1	1	FILTER	
24	1026037	1	SEAL	
25	20100	2	U-BOLT, (3/8" OD X 2" ID X 3 5/8 OAL)	
26	85091	4	WASHER, 3/8" HRDN	
27	85025	4	LOCKNUT, NYLON, 3/8-16	
28	41218	1	HOSE, 1 X 25 HOSE X 30 1/16, (FILTER TO TANK)	
29	40961	1	FITTING, STR ADAPTER STEEL, 1" JIC X 1" NPT (@ SHUT-OFF)	
30	40146	1	SHUT-OFF VALVE - 1"	
31	420377	1	FITTING-ELBOW,SAE O-RING (-16) 1-5/16-12 THREAD X 1"-11.5 NPT (MALE), STEEL	
32	42182	1	REDUCER BUSHING, 1" TO 3/4" STEEL	
33	82371	2	BOLT - HEX 5/16-18 X 1" LG - FILTER TO TANK	
34	85090	2	WASHER - 5/16	
35	85134	2	LOCKWASHER 5/16	
REV	DATE	BY		SHEET
A	03/20/2017	MAL		1 OF 3

TICO PRO-SPOTTER				
HYDRAULIC SYSTEM, ELEC, 20 GPM STEER PRIORITY				721539
ITEM	PART #	QTY/M	DESCRIPTION	
36	62302	1	VALVE, DIRECTIONAL CONTROL	
	62211	1	SPRING, CONTROL VALVE BACKPRESSURE	
37	80171	2	CAPSCREW, SOCKET HEAD, 3/8 X 2	
38	85113	2	WASHER, 3/8 X 2	
39	85025	2	LOCKNUT, NYLON 3/8-16	
40	62299	1	BRACKET, DCV SPACER	
41	61758-3	1	MOUNT PLATE-VALVE	
42	82429	2	BOLT, HEX 1/2-13 X 2 1/4 LONG	
43	85093	4	WASHER, 1/2	
44	85027	2	LOCKNUT, NYLON, 1/2-13	
45	41188	2	FITTING, ELBOW 90° STEEL, 1/2 O-RING TO 5/8 JIC SWIVEL	
46	42073	2	FITTING, STRAIGHT ADAPTER STEEL, 1.2 O-RING, TO 1/2 O-RING	
47	30148-1	2	CYLINDER 5"-15" STROKE	
48	30187-12	2	PIN-UPPER	
49	82493	2	BOLT, HEX, 3/8-16 X 3 3/4 LONG	
50	85113	4	WASHER, 13/8	
51	85025	2	LOCKNUT, NYLON 3/8-16	
52	41230	2	HOSE - TEE TO CYLINDER EXTEND	
53	41231	2	HOSE - TEE TO CYLINDER - RETRACT	
54	50050	2	FITTING, TEE BULKHEAD STEEL, 5/8 JIC	
55	50050-2	2	NUT - 7/8-14	
56	40460	4	FITTING, ELBOW 90° STEEL, 1/2 O-RING TO 1/2 JIC	
57	41278	1	HOSE, H03920, 1-1/4" DIA SUCTION X 85-1/2" HOSE X 90-3/4" OAL	
	42019	REF	FITTING, STR ADAPTER STEEL, 1 O-RING TO 1 1/4 JIC (@PUMP)	
	40471	REF	FITTING, STR ADAPTER SYEEL, 3/4 O- RING TO 3/4" JIC (@ PUMP PRESS)	
58	10624	1	FITTING, ELBOW 90° STEEL, 3/4 O-RING TO 3/4 JIC (@ VALVE)	
NOT SHOWN	12469	2	SPACER - 1" PIPE	
59	41239	1	HOSE PUMP-VALVE 3/4 DIA X 73 1/2 HOSE/77-5/8 OAL	
60	61883	1	BRACKET - STANDOFF	
61	82383	2	BOLT 3/8-16 X 1-1/4 LG	
62	85091	4	FLATWASHER	
63	42275	2	HOSE - VALVE TO TEE - 5/8 DIA X 45 1/8 LG HOSE	
64	41207	1	HOSE - 1" X 37 HOSE X39-1/2 OAL - VALVE TO FILTER	
65	10623	1	FITTING, ELBOW 90° - 3/4 O-RING TO 1" JIC (@ VALVE RETURN)	
REV	DATE	BY		SHEET
A	03/20/2017	MAL		2 OF 3

TICO MANUFACTURING - RIDGELAND, SC 29936

